

PREPARED FOR

WAYNE TOWNSHIP SCHOOL DISTRICT

June 2, 2020



ENERGY SAVINGS PLAN

PRESENTED BY

Ameresco, Inc.

50 Front Street, Suite 201

Newburgh, NY 12550

(845) 561-2260



This Proposal contains data and information that has been submitted in response to a request for proposal or similar solicitation and is provided in confidence. The contents include proprietary information and trade secrets that belong to Ameresco, Inc., ("Confidential Information") and is disclosed to the recipient only for purposes of evaluation. In the event Ameresco is awarded a contract or purchase order as a result of or in connection with the submission of this proposal, Customer shall have a limited right as set forth in the governing contract or purchase order to disclose the data herein, but only to the extent expressly allowed.

TABLE OF CONTENTS

EXECUTIVE SUMMARY	1
SECTION A: BACKGROUND	5
SECTION B: PROJECT DESCRIPTION	9
ECM 1: INTERIOR LIGHTING SYSTEM IMPROVEMENTS	13
ECM 2: REPLACE BOILERS	19
SECTION C: RESULTS, RECOMMENDATIONS AND GENERAL CONSIDERATIONS.....	29
SECTION D: FINANCIAL RESULTS.....	35
SECTION E: IMPLEMENTATION SCHEDULE	45
APPENDIX A: THIRD PARTY REVIEW REPORT	

This page is intentionally left blank.

EXECUTIVE SUMMARY

PROJECT INTENT

Ameresco has completed a Phase 2 Energy Savings Plan (ESP) for the Wayne Township Public School District (District). With this ESP we set forth an Energy Savings Plan (ESP) which identifies, manages and conserves energy through a variety of Energy Conservation Measures (ECM). By implementing these ECMs with Ameresco each facility within the District will become a more safe, productive and cost-effective environment for the administration, staff and students. The facilities included in the ESP are:

- **A.P. Terhune Elementary School** – 40 Geoffrey Way, Wayne, NJ 07470
- **James Fallon Elementary School** – 51 Clifford Drive, Wayne NJ 07470
- **John F. Kennedy Elementary School** – 1310 Ratzer Road, Wayne, NJ 07470
- **Lafayette Elementary School** – 100 Laauwe Avenue, Wayne, NJ 07470
- **Packanack Elementary School** – 190 Oakwood Drive, Wayne, NJ 07470
- **Pines Lake Elementary School** – 811 Pines Lake Drive, Wayne, NJ 07470
- **Randall Carter Elementary School** – 531 Alps Road, Wayne, NJ 07470
- **Ryerson Elementary School** – 30 McClelland Avenue, Wayne, NJ 07470
- **Theunis dey Elementary School** – 55 Webster Drive, Wayne, NJ 07470
- **Anthony Wayne Middle School** – 201 Garside Avenue, Wayne, NJ 07470
- **George Washington Middle School** – 68 Lenox Road, Wayne, NJ 07470
- **Schuyler Colfax Middle School** – 1500 Hamburg Turnpike, Wayne, NJ 07470
- **Wayne Hills High School** – 272 Berdan Avenue, Wayne, NJ 07470
- **Wayne Valley High School** – 551 Valley Road, Wayne, NJ 07470
- **Preakness Academy** – 1006 Hamburg Turnpike, Wayne, NJ 07470
- **Board of Education** – 50 Nellis Drive, Wayne, NJ 07470

PROJECT FINDINGS

The ECMs identified will reduce the energy consumption at these facilities through a combination of the installation of more efficient equipment and modifications to the operation of existing equipment. The recommendations include:

- Interior Lighting System Improvements
- Replace Boilers

The table below summarizes the Green House Gas reductions derived through the ESP. That information is also reported in Greenhouse Gas reduction equivalents.

Estimated Emission Reductions	
CO2 in pounds	427,335
NOx in pounds	599
SO2 in pounds	1,166
Green House Gas Equivalents	
Automobiles taken off the road	36
Houses Powered Each Year	27
Acres of pine forests sequestering carbon	44

The table below identifies the source of the savings identified during the ESP.

Ecm #	ECM Name	Annual kW	Total kWh	Natural Gas (Therms)	Energy Savings	O&M Savings	Total Project Savings	Total Project Costs	SPB
1	Interior Lighting System Improvements	2,379.0	561,705	(7,566)	\$68,609	\$-	\$68,609	\$479,963	7.00
2	Replace Boilers	-	-	6,022	\$3,682	\$80,000	\$83,682	\$1,568,872	18.75
Totals		2,379	561,705	(1,544)	\$72,291	\$80,000	\$152,291	\$2,048,835	13.45

FINANCIAL TERMS

Financial Terms	
Financing Term (post construction)	15 years
Estimated Tax-exempt Interest Rate	2.50%
Capital Investment	\$2,048,835
Estimated Utility Incentives	\$166,633
Energy Cost Escalation (Average Annually)	2.2%
Initial Annual Project Energy Savings	\$72,291
Initial Annual Project O&M Savings (Years 1 and 2 ONLY)	\$80,000
Total Initial Annual Project Savings	\$152,291
Annual Customer Contribution (Year 3 and on)	\$80,000
Net Excess Cumulative Cash Flow	\$162,050

This ESP presents an extremely beneficial economic scenario to the District. Ameresco has maximized the net economic benefit to the District by optimizing the level of savings. The financial terms of the Energy Savings Plan advanced by Ameresco are displayed in the table above. Additional information on the financial terms of the project is provided in Section D of the Energy Savings Plan.

A 2.2% escalation of electricity energy prices and a 2.4% escalation of natural gas prices, each from the base year period, are included in the ESP calculations. Additional information on the specific services included is provided in Section C and Section E of the Energy Savings Plan

Utility incentives are expected as a result of these ECMs. Ameresco has estimated prescriptive incentives for lighting and the new boilers that have been factored into the project economics. NJ BPU OCE Pay for Performance program (“P4P”) incentives are not expected to be applicable to this project. The actual payments to the District of any potential rebates or incentives will be subsequent to the completion of the construction.

Ameresco has the financial resources to successfully fulfill our obligations on this contract, from project inception through construction completion and commissioning. There are no time limits or financial caps on our corporate bonding. There will be no upfront capital investment required from the District.

IMPLEMENTATION

Ameresco has the ability to physically accomplish all of the varied aspects required to implement a performance contract of this project’s scope and duration. The capabilities of our local offices

as well as other regional staff associated with the District's project, are unsurpassed in carrying out the tasks involved, with absolutely no disruption to the District, its students, faculty or staff.

Ameresco will begin mobilization immediately upon approval of the District's BOE and the BPU. Design and Engineering will proceed, followed by public bidding and procurement. Construction will commence after bidding.

SECTION A: BACKGROUND

FACILITY DESCRIPTION

The Wayne Township School District is located in Passaic County, New Jersey. The District consists of (14) school buildings, an Administration Building and the Preakness Library. The two High Schools and three Middle Schools, (854,350 sq. ft.total), are each utilized most of the year with summer sessions, sports programs and evening activities. The buildings are closed for approximately six weeks annually for holidays and a short summer break. The nine remaining elementary schools (419,000 sq. ft.total), are each occupied over the course of nine months annually. These buildings are closed for approximately 12 weeks each year for holidays and vacations. The District Administration Building and Preakness Library are utilized year round.

Table 1 below provides information gathered from site investigations and from information provided by the District. Along with each building's performance, square footage, and space type description.

TABLE 1: SITE ENERGY USE INDEX BASELINE PERIOD JULY 2018 TO JUNE 2019

Facility Name	Gross Square Feet	Facility Description	Electric kWh/g.s.f	Thermal Fuel mBtu/g.s.f	Total EUI mBtu/g.s.f
Randall Carter-Elementary School	40,148	Classrooms	5.4	84.2	102.6
Theunis Dey-Elementary School	46,579	Classrooms	3.8	41.5	54.3
James Fallon-Elementary School	46,428	Classrooms	6.8	55.5	78.7
John F. Kennedy-Elementary School	44,305	Classrooms	6.8	42.9	66.1
Lafayette-Elementary School	46,480	Classrooms	8.3	75.1	103.5
Packanack-Elementary School	51,762	Classrooms	5.9	62.2	82.3
Pines Lake-Elementary School	48,195	Classrooms	9.8	50.2	83.7
Ryerson-Elementary School	48,634	Classrooms	5.3	70.4	88.4
Albert Payson Terhune-Elementary School	46,470	Classrooms	5.1	39.1	56.6
Anthony Wayne-Middle School	108,813	Classrooms	10.7	54.0	90.6
Schuyler-Colfax-Middle School	116,894	Classrooms	6.6	52.5	75.0
George Washington-Middle School	106,488	Classrooms	6.8	38.8	62.0
Wayne Hills-High School	253,766	Classrooms	8.5	42.8	71.9
Wayne Valley-High School	268,389	Classrooms	6.4	60.9	82.7
Preakness (Library Community Center)	28,855	Office Community Space	5.7	76.9	96.4
Board of Ed Administration	18,921	Offices	18.1	52.0	114.0
Total	1,321,127		7.5	56.2	81.8

Energy performance is the ratio of yearly energy use by square footage and is a good indicator of how well a building performs. The energy performance of each building was calculated from the utility information provided by the District Facilities Department. Fuel performance includes space heating, domestic hot water production and cooking loads and is calculated in mBtu/gsf (1 mBTU = 1000 BTUs), while electrical performance includes all electric usage such as lighting, computers, and HVAC equipment and is calculated in kWh/gsf. The performance of the District shows that most of the buildings are consuming more energy on an mBTU/gsf and kWh/gsf basis than typical K-12 school district in this climate region.

BASELINE INFORMATION

Electricity is delivered by PSE&G and supplied by East Coast Power & Gas of New Jersey, LLC for all schools but Pines Lake Elementary School which has its electricity delivered and supplied by JCP&L.). Natural gas is delivered to each facility by PSE&G and supplied by East Coast Power & Gas of New Jersey, LLC. For annual energy usage of the buildings, please see Table 2.

TABLE 2: FUEL CONSUMPTION

Facility Name	Primary Fuel	Natural Gas (therms)	Electric Demand Annual (kW)	Electric Energy Use (kWh)
Randall Carter ES	Natural Gas	33,802	583.6	216,840
Theunis Dey ES	Natural Gas	19,331	535.4	174,708
James Fallon ES	Natural Gas	25,779	1140.9	314,668
John F. Kennedy ES	Natural Gas	19,015	1396.0	300,920
Lafayette ES	Natural Gas	34,928	1051.3	386,060
Packanack ES	Natural Gas	32,217	1025.9	304,613
Pines Lake ES	Natural Gas	24,199	2399.9	473,440
Ryerson ES	Natural Gas	34,246	1080.8	256,740
Albert Payson Terhune ES	Natural Gas	18,173	655.0	238,344
Anthony Wayne MS	Natural Gas	58,735	3521.4	1,166,045
Schuyler-Colfax MS	Natural Gas	61,415	1933.2	767,815
George Washington MS	Natural Gas	41,289	2263.1	724,434
Wayne Hills HS	Natural Gas	108,496	5526.9	2,167,284
Wayne Valley HS	Natural Gas	163,490	4678.8	1,712,974
Preakness (Community Ctr)	Natural Gas	22,187	656.8	164,880
Board of Ed Administration	Natural Gas	9,844	792.8	343,360
Totals		707,145	29,241.79	9,713,124

The baseline period is based on fiscal years 2019 (July 2018 – June 2019) utility bills provided by the District. The average baseline occupancy and heating system hours for each location are shown in Table 3.

TABLE 3 AVERAGE OCCUPANCY AND HEATING HOURS

	Existing Heating Hours	Existing Occupancy Hours
Randall Carter-Elementary School	3,476	1,760
Theunis Dey-Elementary School	2,151	1,760
James Fallon-Elementary School	2,346	1,760
John F. Kennedy-Elementary School	2,346	1,760
Lafayette-Elementary School	2,249	1,955
Packanack-Elementary School	2,346	1,760
Pines Lake-Elementary School	2,346	1,760
Ryerson-Elementary School	2,738	2,053
Albert Payson Terhune-Elementary School	2,151	1,760
Anthony Wayne-Middle School	5,214	4,345
Schuyler-Colfax-Middle School	3,215	2,781
George Washington-Middle School	3,824	3,824
Wayne Hills-High School	5,353	4,875
Wayne Valley-High School	4,302	4,302
Preakness (Library Community Center)	2,451	1,929
Board of Ed Administration	4,119	3,598

For savings analysis included in this audit, Ameresco utilized the following unit prices which are based on current tariff rates:

TABLE 4: UNIT PRICES

Facility	Natural Gas \$/therm	Electric Demand \$/kW	Electric Service \$/kWh
Randall Carter-Elementary School		\$7.23	\$0.100
Theunis Dey-Elementary School		\$7.23	\$0.100
James Fallon-Elementary School		\$6.74	\$0.102
John F. Kennedy-Elementary School		\$7.23	\$0.100
Lafayette-Elementary School		\$7.23	\$0.100
Packanack-Elementary School		\$7.23	\$0.100
Pines Lake-Elementary School		\$6.17	\$0.098
Ryerson-Elementary School		\$7.23	\$0.100
Albert Payson Terhune-Elementary School		\$7.23	\$0.100
Anthony Wayne-Middle School		\$6.74	\$0.102
Schuyler-Colfax-Middle School		\$6.74	\$0.102
George Washington-Middle School		\$6.74	\$0.102
Wayne Hills-High School		\$6.74	\$0.102
Wayne Valley-High School	\$0.611	\$6.74	\$0.102
Preakness (Library Community Center)		\$7.23	\$0.100
Board of Ed Administration		\$7.23	\$0.100

This page is intentionally left blank.

SECTION B: PROJECT DESCRIPTION

Ameresco audited the facilities at Wayne Township School District (District) for energy consumption and completed a Phase 1 energy project. This energy audit comprises ECMs for a Phase 2 energy project.

A description of the improvements to the existing systems for each proposed ECM can be found in the Project Results section.

ECM 1: INTERIOR LIGHTING SYSTEM IMPROVEMENTS

Using our “As-Builts” from Ameresco’s previously installed lighting system, in conjunction with a site meeting with John Maso and several additional staff members, our in-house lighting designer Chris Sternadore calculated the costs, savings, and rebates to install linear Type A LED tubes throughout the District. In this Phase 2 project, we will replace previously installed linear T8 lamps with their LED equivalent onto existing ballasts. These 2’, 3’, and 4’ linear “Type A” LED tubes will replace existing lamps and will continue to operate on existing fluorescent ballasts.

ECM 2: REPLACE BOILERS

Ameresco proposes to remove four (4) old boilers at the Wayne Valley High School, two steam and two heating hot water, and replace them with four (4) new, more efficient boilers, one steam and three condensing hot water. The new boilers will provide the Wayne Public School District (District) with new equipment and reliable redundancy that will save energy and lower operating and maintenance costs.



This page is intentionally left blank.

MEASURE MATRIX

Wayne Township Schools Phase 2 Energy Conservation Measures (ECMs)	Interior Lighting System Improvements	Replace Boilers	
Facility	1	2	
Randall Carter-Elementary School	X		
Theunis Dey-Elementary School	X		
James Fallon-Elementary School	X		
John F. Kennedy-Elementary School	X		
Lafayette-Elementary School	X		
Packanack-Elementary School	X		
Pines Lake-Elementary School	X		
Ryerson-Elementary School	X		
Albert Payson Terhune-Elementary School	X		
Anthony Wayne-Middle School	X		
Schuyler-Colfax-Middle School	X		
George Washington-Middle School	X		
Wayne Hills-High School	X		
Wayne Valley-High School	X	X	
Preakness (Library Community Center)	X		
Board of Ed Administration	X		

This page is intentionally left blank.

ECM 1: INTERIOR LIGHTING SYSTEM IMPROVEMENTS

ECM OVERVIEW

Using our “As-Builts” from Ameresco’s previously installed lighting system, in conjunction with a site meeting with John Maso and several additional staff members, our in-house lighting designer Chris Sternadore calculated the costs, savings, and rebates to install linear Type A LED tubes throughout the District.

PROPOSED SYSTEM

In this Phase 2 project, we will replace previously installed linear T8 lamps with their LED equivalent onto existing ballasts. These 2’, 3’, and 4’ linear “Type A” LED tubes will replace existing lamps and will continue to operate on existing fluorescent ballasts. Quantities of existing fixtures included in this project are shown here:

Building	Existing Fixtures Getting Retubed
Randall Carter elem	358
Theunis Dey elem	529
James Fallon ELEM	410
JFK Elem	472
Lafayette Elem	434
Packanack Elem	467
Pines Lake Elem	572
Ryerson elem	479
Payson Terhune elem	495
Anthony Wayne ms	914
Schuyler-Colfax ms	1252
George Washington ms	1246
Wayne Hills hs	2813
Wayne Valley hs	2509
Preakness LCC	392
Board of Ed Admin	296
	13638

This approach will result in the vast majority of fixtures being converted to LED technology. However, not every existing fixture will be addressed. Rather, only those currently using 2', 3', or 4' linear T8 lamps. Existing fixtures using other types of lamps are not included in this scope.

We believe most existing ballasts are compatible with the Philips tubes we intend to install. During installation, we will record ballast model numbers from locations designated by Chris Sternadore after discussions with Philips engineering. This record will be given to the District.

EQUIPMENT, DESIGN AND CONSTRUCTION DOCUMENTATION

Equipment will be identified in submittals provided for approval prior to procurement. The lighting system audit completed for each facility will be submitted as the basis for construction. The audit will include the existing descriptions, operating hours, and proposed retrofit description. These documents will be submitted for review and comment. Upon approval, these will constitute the construction documents. Upon completion of the construction phase, the documents will be revised as needed to reflect "As-Built" conditions, and submitted in multiple for record.

IMPACT ON FACILITY OPERATIONS AND PERFORMANCE

All installations will be conducted after school hours, and will be coordinated with the appointed personnel.

INTEGRATION OF PROPOSED EQUIPMENT WITH EXISTING SYSTEMS

We assume the entire existing lighting infrastructure (fixtures, wiring, controls, mounting systems) complies with the latest codes, standards, and recommended practices of all relevant agencies, and that prior installations were done following best practices accepted throughout the industry. Required upgrades to meet safety, codes, standards, practices, and/or to prepare the location for the installation as described above, can be performed on a time and material basis.

ENVIRONMENTAL IMPACT

There are no potential adverse environmental impacts associated with this lighting upgrade. During construction, we will remove, package, and recycle all existing lamps that contain mercury, as well as ballasts/capacitors that contain PCBs or DEHP according to applicable regulations. Handling, disposal, abatement, and any other treatment of any other hazardous materials, other than those contained within the light source itself mentioned above (mercury/PCB's), are excluded from this ECM.

APPENDIX FOR ECM 1: INTERIOR LIGHTING SYSTEM IMPROVEMENTS

I. ENERGY SAVINGS CALCULATIONS

This page is intentionally left blank.

Wayne TPS II																		
Energy and Demand Savings Summary																		
Measure ID: 1																		
Measure Name: Lighting System Improvements																		
Measure Location:																		
Engineers:																		

Site Name:		Carter ES	Dey ES	Fallon ES	Kennedy ES	Lafayette ES	Packanack ES	Pines Lake ES	Ryerson ES	Terhune ES	Anthony Wayne MS	Colfax MS	Washington MS	Wayne Hills HS	Wayne Valley HS	Preakness	Admin	Summary
Item	Units	Savings	Savings	Savings	Savings	Savings	Savings	Savings	Savings	Savings	Savings	Savings	Savings	Savings	Savings	Savings	Savings	Savings
Electricity																		
Energy On-Peak	kWh	14,221	17,481	14,445	16,317	17,587	19,813	20,774	17,700	18,112	44,649	65,359	52,525	107,978	107,093	17,153	10,497	561,705
Energy Off-Peak	kWh	0	0	0	0	0	0	0	0	0	0	0	0	0	0	0	0	0
Energy Total	kWh	14,221	17,481	14,445	16,317	17,587	19,813	20,774	17,700	18,112	44,649	65,359	52,525	107,978	107,093	17,153	10,497	561,705
Demand On-Peak, Monthly	kW	6.0	7.6	5.9	6.9	7.2	8.0	8.5	7.8	7.7	16.7	23.6	20.2	40.1	39.3	6.8	3.9	216.3
Demand On-Peak, Annual	kW	66.0	84.1	65.0	75.7	79.0	88.0	93.4	85.9	84.6	184.2	259.3	222.3	441.0	432.2	74.7	43.3	2,379.0
Demand Off-Peak, Monthly	kW	0.0	0.0	0.0	0.0	0.0	0.0	0.0	0.0	0.0	0.0	0.0	0.0	0.0	0.0	0.0	0.0	0.0
Demand Off-Peak, Annual	kW	0.0	0.0	0.0	0.0	0.0	0.0	0.0	0.0	0.0	0.0	0.0	0.0	0.0	0.0	0.0	0.0	0.0
Fossil Fuel																		
Natural Gas (NG)	Therms	-204	-226	-180	-205	-248	-283	-296	-227	-233	-574	-962	-677	-1,370	-1,492	-247	-143	-7,566
Liquid Propane Gas (LPG)	Gallons	0	0	0	0	0	0	0	0	0	0	0	0	0	0	0	0	0
Steam	Mlbs	0	0	0	0	0	0	0	0	0	0	0	0	0	0	0	0	0
Fuel Oil, #2	Gallons	0	0	0	0	0	0	0	0	0	0	0	0	0	0	0	0	0
Fuel Oil, #4	Gallons	0	0	0	0	0	0	0	0	0	0	0	0	0	0	0	0	0
Fuel Oil, #6	Gallons	0	0	0	0	0	0	0	0	0	0	0	0	0	0	0	0	0
Miscellaneous	Misc	0	0	0	0	0	0	0	0	0	0	0	0	0	0	0	0	0
Water																		
Water Savings	kGallons																	0
Sewer																		
Sewer Savings	kGallons																	0

Wayne TPS II
Interactive Lighting Savings Calculation

A	Lighting FAC ID	Lighting Savings		Heating Penalty				Cooling Benefit			
		B	C	D	E	F	G	H	I	J	K
Facility		Annual kW	Annual kWh	Heat Gain to Space	Heating Months	Heating System Efficiency	Heating Penalty MMBtu	Total Space Cooled	Cooling Months	Cooling System COP	Cooling Benefit MMBtu
Randall Carter-Elementary School	1	6.0	13,602	80.0%	5.0	76.0%	(20.4)	45.0%	4.0	2.64	2.1
Theunis Dey-Elementary School	2	7.6	17,219	80.0%	5.0	86.5%	(22.6)	20.0%	4.0	3.52	0.9
James Fallon-Elementary School	3	5.9	13,427	80.0%	5.0	85.0%	(18.0)	75.0%	4.0	2.64	3.5
John F. Kennedy-Elementary School	4	6.9	15,607	80.0%	5.0	86.5%	(20.5)	50.0%	4.0	2.93	2.4
Lafayette-Elementary School	5	7.2	16,581	80.0%	5.0	76.0%	(24.8)	60.0%	4.0	2.64	3.4
Packanack-Elementary School	6	8.0	18,876	80.0%	5.0	76.0%	(28.3)	60.0%	4.0	3.22	3.2
Pines Lake-Elementary School	7	8.5	19,775	80.0%	5.0	76.0%	(29.6)	50.0%	4.0	2.64	3.4
Ryerson-Elementary School	8	7.8	17,242	80.0%	5.0	86.5%	(22.7)	35.0%	4.0	3.52	1.6
Albert Payson Terhune-Elementary School	9	7.7	17,692	80.0%	5.0	86.5%	(23.3)	30.0%	4.0	3.37	1.4
Anthony Wayne-Middle School	10	16.7	43,018	80.0%	5.0	85.3%	(57.4)	50.0%	4.0	3.52	5.6
Schuyler-Colfax-Middle School	11	23.6	64,295	80.0%	5.0	76.0%	(96.2)	20.0%	4.0	3.22	3.6
George Washington-Middle School	12	20.2	51,461	80.0%	5.0	86.5%	(67.7)	25.0%	4.0	3.22	3.6
Wayne Hills-High School	13	40.1	104,185	80.0%	5.0	86.5%	(137.0)	50.0%	4.0	3.66	12.9
Wayne Valley-High School	14	39.3	104,062	80.0%	5.0	79.3%	(149.2)	40.0%	4.0	3.66	10.3
Preakness (Library Community Center)	15	6.8	16,487	80.0%	5.0	76.0%	(24.7)	40.0%	4.0	2.64	2.3
Board of Ed Administration	16	3.9	9,533	80.0%	5.0	76.0%	(14.3)	100.0%	4.0	2.64	3.3
Totals		216.3	543,061				(756.6)				63.6

Notes:	
A	Applicable building included in comprehensive energy audit
B	Lighting demand savings {kW} associated with lighting retrofit measures
C	Lighting energy savings {kWh} associated with lighting retrofit measures
D	Estimated percentage of lighting energy transmitted to conditioned space
E	Estimated length of heating season
F	Estimated heating system efficiency, interacted with other measures
G	Resulting heating penalty due to lighting upgrades = [col C] x [col D] x 3,413 x ([col E] / 12) / [col F] / 1,000,000
H	Estimated percentage of space cooled
I	Estimated Length of cooling season
J	Estimated cooling system efficiency, interacted with other measures
K	Resulting cooling benefit due to lighting upgrades = [col C] x [col D] x 3,413 x ([col I] / 12) / [col J] / 1,000,000



Wayne NJ

Phase 2 Lighting Scope of Work

Line	Building Name	Location	FI	Pre Fixture Description	Pre Fixture Style	Pre Qty	Pre Qty In Scope	Post Fixture Description	Post Fixture Style	Annual Hours	Pre kW	Post kW	kW Saved Coin.	Pre kWh	Post kWh	kWh Saved
154.0	George Washington ms	Locker Locker 111 Boys	1	1L4' T8 28w/ELEE HI	wrap	1	1	1L4' LED 13w/ELEE HI/RETUBE ONLY	retube 4' LED	3,640	0.0	0.0	0.0	120	78	42
155.0	George Washington ms	Bath Bath 111 Boys	1	1L4' T8 28w/ELEE HI	wrap	1	1	1L4' LED 13w/ELEE HI/RETUBE ONLY	retube 4' LED	2,548	0.0	0.0	0.0	84	55	29
156.0	George Washington ms	Closet Closet 111As	1	2L4' T8 28w/ELEE HI-8'	wrap	1	1	2L4' LED 13w/ELEE HI/RETUBE ONLY	retube 4' LED	500	0.1	0.0	0.0	32	22	11
157.0	George Washington ms	Closet Closet 111As	1	2L4' T8 28w/ELEE HI-8'	wrap	5	5	2L4' LED 13w/ELEE HI/RETUBE ONLY	retube 4' LED	500	0.3	0.2	0.1	160	108	53
158.0	George Washington ms	Closet Closet 111As	1	2L4' T8 28w/ELEE LO	vapor tight	6	6	2L4' LED 13w/ELEE LO/RETUBE ONLY	retube 4' LED	500	0.3	0.2	0.1	126	84	42
159.0	George Washington ms	Office Office 111Ao	1	2L4' T8 28w/ELEE HI-8'	wrap	2	2	2L4' LED 13w/ELEE HI/RETUBE ONLY	retube 4' LED	1,988	0.1	0.1	0.0	254	171	83
160.0	George Washington ms	Bath Bath 111Ao	1	2L2' T8 15w/EL LO	vanity	1	1	2L2' LED 7w/ELEE LO/RETUBE ONLY	retube 2' LED	2,548	0.0	0.0	0.0	61	43	18
161.0	George Washington ms	Bath Bath 111Ao	1	11 WATT LED	can rec vert	1		NO RETRO	no change already LED	2,548	0.0	0.0		28	28	
162.0	George Washington ms	Closet Closet 111Bs	1	1L4' T8 28w/ELEE HI	wrap	4	4	1L4' LED 13w/ELEE HI/RETUBE ONLY	retube 4' LED	350	0.1	0.1	0.0	46	30	16
163.0	George Washington ms	Gym Gym 112 Aux	1	2L4' T8 28w/ELEE LO	box acr 1' wide	32	32	2L4' LED 13w/ELEE LO/RETUBE ONLY	retube 4' LED	2,408	1.3	0.9	0.4	3,236	2,158	1,079
164.0	George Washington ms	Gym Gym 112 Aux	1	23W CF SCREW IN	square surface mt.	2		NO RETRO	no change	2,408	0.1	0.1		120	120	
165.0	George Washington ms	Closet Closet 112As	1	1L4' T8 28w/ELEE HI	wrap	1	1	1L4' LED 13w/ELEE HI/RETUBE ONLY	retube 4' LED	350	0.0	0.0	0.0	12	8	4
166.0	George Washington ms	Hall Hall 110 Music	1	1L4' T8 28w/ELEE HI	wrap	1	1	1L4' LED 13w/ELEE HI/RETUBE ONLY	retube 4' LED	2,548	0.0	0.0	0.0	84	55	29
167.0	George Washington ms	Classroom Classroom 110 Music	1	4L4' T8 28w/ELEE LO-8'	wrap wide	12	12	4L4' LED 13w/ELEE LO/RETUBE ONLY	retube 4' LED	1,988	1.0	0.7	0.3	1,980	1,336	644
168.0	George Washington ms	Office Office 110Ap	1	2L4' T8 28w/ELEE HI	wrap	1	1	2L4' LED 13w/ELEE HI/RETUBE ONLY	retube 4' LED	1,988	0.1	0.0	0.0	127	85	42
169.0	George Washington ms	Office Office 110Bp	1	2L4' T8 28w/ELEE HI	wrap	1	1	2L4' LED 13w/ELEE HI/RETUBE ONLY	retube 4' LED	1,988	0.1	0.0	0.0	127	85	42
170.0	George Washington ms	Office Office 110Cp	1	2L4' T8 28w/ELEE HI	wrap	1	1	2L4' LED 13w/ELEE HI/RETUBE ONLY	retube 4' LED	1,988	0.1	0.0	0.0	127	85	42
171.0	George Washington ms	Storage Storage Instruments	1	23W CF SCREW IN	keyless	1		NO RETRO	no change	500	0.0	0.0		13	13	
172.0	George Washington ms	Classroom Classroom 109 Music	1	2L4' T8 28w/ELEE HI-8'	wrap	12	12	2L4' LED 13w/ELEE HI/RETUBE ONLY	retube 4' LED	1,988	0.8	0.5	0.2	1,527	1,026	501
173.0	George Washington ms	Hall Hall 109 Music	1	2L4' T8 28w/ELEE HI-8'	wrap	2	2	2L4' LED 13w/ELEE HI/RETUBE ONLY	retube 4' LED	2,548	0.1	0.1	0.0	326	219	107
174.0	George Washington ms	Office Office Ao109	1	2L4' T8 28w/ELEE HI-8'	wrap	3	3	2L4' LED 13w/ELEE HI/RETUBE ONLY	retube 4' LED	1,988	0.2	0.1	0.1	382	256	125
175.0	George Washington ms	Storage Storage As108	1	1L4' T8 28w/ELEE HI	wrap	4	4	1L4' LED 13w/ELEE HI/RETUBE ONLY	retube 4' LED	350	0.1	0.1	0.0	46	30	16
176.0	George Washington ms	Storage Storage Storerom	1	1L4' T8 28w/ELEE HI	wrap	2	2	1L4' LED 13w/ELEE HI/RETUBE ONLY	retube 4' LED	350	0.1	0.0	0.0	23	15	8
177.0	George Washington ms	Classroom Classroom 108	1	2L4' T8 28w/ELEE HI	trof parabolic	8	8	2L4' LED 13w/ELEE HI/RETUBE ONLY	retube 4' LED	1,988	0.5	0.3	0.1	1,018	684	334
178.0	George Washington ms	Classroom Classroom 108	1	2L2' T8 15w/EL	trof parabolic	1	1	2L2' LED 7w/ELEE HI/RETUBE ONLY	retube 2' LED	1,988	0.0	0.0	0.0	66	54	12
179.0	George Washington ms	Classroom Classroom 107	1	2L4' T8 28w/ELEE HI	trof parabolic	8	8	2L4' LED 13w/ELEE HI/RETUBE ONLY	retube 4' LED	1,988	0.5	0.3	0.1	1,018	684	334
180.0	George Washington ms	Classroom Classroom 107	1	2L2' T8 15w/EL	trof parabolic	1	1	2L2' LED 7w/ELEE HI/RETUBE ONLY	retube 2' LED	1,988	0.0	0.0	0.0	66	54	12
181.0	George Washington ms	Classroom Classroom 106	1	2L4' T8 28w/ELEE HI	trof parabolic	13	13	2L4' LED 13w/ELEE HI/RETUBE ONLY	retube 4' LED	1,988	0.8	0.6	0.2	1,654	1,111	543
182.0	George Washington ms	Classroom Classroom 106	1	2L2' T8 15w/EL	trof parabolic	1	1	2L2' LED 7w/ELEE HI/RETUBE ONLY	retube 2' LED	1,988	0.0	0.0	0.0	66	54	12
183.0	George Washington ms	Closet Closet Bs106	1	1L4' T8 28w/ELEE HI	wrap	4	4	1L4' LED 13w/ELEE HI/RETUBE ONLY	retube 4' LED	350	0.1	0.1	0.0	46	30	16
184.0	George Washington ms	Classroom Classroom 105 Wood Shop	1	1L4' T8 28w/ELEE HI	wrap	50	50	1L4' LED 13w/ELEE HI/RETUBE ONLY	retube 4' LED	2,840	1.7	1.1	0.5	4,686	3,053	1,633
185.0	George Washington ms	Stage Stage	1	2L4' T8 28w/ELEE HI	wrap	6	6	2L4' LED 13w/ELEE HI/RETUBE ONLY	retube 4' LED	3,240	0.3	0.2	0.1	933	622	311
186.0	George Washington ms	Stage Stage	1	NO EXISTING FIXTURE	decorative	4		NO RETRO	no change	3,240						
187.0	George Washington ms	Auditorium Auditorium Seating Area	1	2L4' T8 28w/ELEE HI	trof acr	15	15	2L4' LED 13w/ELEE HI/RETUBE ONLY	retube 4' LED	3,240	1.0	0.6	0.3	3,110	2,090	1,021
188.0	George Washington ms	Auditorium Auditorium Seating Area	1	32W CF SCREW IN	can rec vert 12"	4		NO RETRO	no change	3,240	0.1	0.1		441	441	
189.0	George Washington ms	Auditorium Auditorium Seating Area	1	32W CF SCREW IN	can rec hor 9"	2		NO RETRO	no change	3,240	0.1	0.1		220	220	
190.0	George Washington ms	Auditorium Auditorium Seating Area	1	3 WATT LED	can rec vert	2		NO RETRO	no change already LED	3,240	0.0	0.0		19	19	
191.0	George Washington ms	Storage Storage Av Equipment	1	1L4' T8 28w/ELEE HI	wrap	2	2	1L4' LED 13w/ELEE HI/RETUBE ONLY	retube 4' LED	500	0.1	0.0	0.0	33	22	12
192.0	George Washington ms	Storage Storage Equipment	1	1L4' T8 28w/ELEE HI	wrap	2	2	1L4' LED 13w/ELEE HI/RETUBE ONLY	retube 4' LED	500	0.1	0.0	0.0	33	22	12
193.0	George Washington ms	Auditorium Auditorium Sound Booth	1	21 WATT LED	can rec vert	2		NO RETRO	no change already LED	3,240	0.0	0.0		136	136	
194.0	George Washington ms	Closet Closet Sound Booth	1	23W CF SCREW IN	keyless	1		NO RETRO	no change	500	0.0	0.0		13	13	
195.0	George Washington ms	Mechanical Mechanical 103	1	1L4' T8 28w/ELEE LO	strip	1	1	1L4' LED 13w/ELEE LO/RETUBE ONLY	retube 4' LED	500	0.0	0.0	0.0	11	7	4
196.0	George Washington ms	Office Office 102 Nurse	1	2L4' T8 28w/ELEE HI	wrap	2	2	2L4' LED 13w/ELEE HI/RETUBE ONLY	retube 4' LED	1,988	0.1	0.1	0.0	254	171	83
197.0	George Washington ms	Office Office 102Jo	1	2L4' T8 28w/ELEE HI	wrap	2	2	2L4' LED 13w/ELEE HI/RETUBE ONLY	retube 4' LED	1,988	0.1	0.1	0.0	254	171	83
198.0	George Washington ms	Office Open Office Open Nurse	1	2L4' T8 28w/ELEE HI	wrap	6	6	2L4' LED 13w/ELEE HI/RETUBE ONLY	retube 4' LED	2,408	0.4	0.3	0.1	925	621	303
199.0	George Washington ms	Office Open Office Open Nurse	1	2x13W CF HARDWIRED	drum	2		NO RETRO	no change	3,440	0.1	0.1		206	206	
200.0	George Washington ms	Bath Bath 102Tr	1	2x13W CF HARDWIRED	drum	1		NO RETRO	no change	2,548	0.0	0.0		76	76	
201.0	George Washington ms	Office Office 101Fo	1	2L4' T8 28w/ELEE HI	wrap	2	2	2L4' LED 13w/ELEE HI/RETUBE ONLY	retube 4' LED	1,988	0.1	0.1	0.0	254	171	83
202.0	George Washington ms	Office Office 101Fo	1	2L4' T8 28w/ELEE HI	wrap	4	4	2L4' LED 13w/ELEE HI/RETUBE ONLY	retube 4' LED	1,988	0.3	0.2	0.1	509	342	167
203.0	George Washington ms	Office Office 101Ho	1	2L4' T8 28w/ELEE HI	wrap	2	2	2L4' LED 13w/ELEE HI/RETUBE ONLY	retube 4' LED	1,988	0.1	0.1	0.0	254	171	83
204.0	George Washington ms	Office Office 101Eo	1	2L4' T8 28w/ELEE HI	trof acr	4	4	2L4' LED 13w/ELEE HI/RETUBE ONLY	retube 4' LED	1,988	0.3	0.2	0.1	509	342	167



Line	Building Name	Location	FI	Pre Fixture Description	Pre Fixture Style	Pre Qty	Pre Qty In Scope	Post Fixture Description	Post Fixture Style	Annual Hours	Pre kW	Post kW	kW Saved Coin.	Pre kWh	Post kWh	kWh Saved
205.0	George Washington ms	Office Office 101Go	1	2L4' T8 28w/ELEE HI	wrap	2	2	2L4' LED 13w/ELEE HI/RETUBE ONLY	retube 4' LED	1,988	0.1	0.1	0.0	254	171	83
206.0	George Washington ms	Office Office 101Do	1	2L4' T8 28w/ELEE HI	wrap	2	2	2L4' LED 13w/ELEE HI/RETUBE ONLY	retube 4' LED	1,988	0.1	0.1	0.0	254	171	83
207.0	George Washington ms	Hall Hall 101Fo To 101Do	1	1L4' T8 28w/ELEE HI	wrap	3	3	1L4' LED 13w/ELEE HI/RETUBE ONLY	retube 4' LED	3,640	0.1	0.1	0.0	360	235	126
208.0	George Washington ms	Office Office Main	1	2L4' T8 28w/ELEE HI	wrap	12	12	2L4' LED 13w/ELEE HI/RETUBE ONLY	retube 4' LED	2,840	0.8	0.5	0.2	2,181	1,465	716
209.0	George Washington ms	Storage Storage 101Co	1	2L4' T8 28w/ELEE	trof acr	2	2	2L4' LED 13w/ELEE/RETUBE ONLY	retube 4' LED	1,708	0.1	0.1	0.0	164	109	55
210.0	George Washington ms	Conference Conference 101Bo	1	2L4' T8 28w/ELEE HI	wrap	4	4	2L4' LED 13w/ELEE HI/RETUBE ONLY	retube 4' LED	1,988	0.3	0.2	0.1	509	342	167
211.0	George Washington ms	Office Office 101Ao	1	2L4' T8 28w/ELEE HI	wrap	2	2	2L4' LED 13w/ELEE HI/RETUBE ONLY	retube 4' LED	2,840	0.1	0.1	0.0	364	244	119
212.0	George Washington ms	Bath Bath Mt101	1	2L4' T8 28w/ELEE LO	trof acr	1	1	2L4' LED 13w/ELEE LO/RETUBE ONLY	retube 4' LED	2,548	0.0	0.0	0.0	107	71	36
213.0	George Washington ms	Bath Bath Mt101	1	2L2' T8 15w/EL LO	vanity	1	1	2L2' LED 7w/ELEE LO/RETUBE ONLY	retube 2' LED	2,548	0.0	0.0	0.0	61	43	18
214.0	George Washington ms	Closet Closet Cc101	1	1L4' T8 28w/ELEE HI	wrap	1	1	1L4' LED 13w/ELEE HI/RETUBE ONLY	retube 4' LED	350	0.0	0.0	0.0	12	8	4
215.0	George Washington ms	Bath Bath Wt101	1	2L2' T8 15w/EL	trof acr	1	1	2L2' LED 7w/ELEE HI/RETUBE ONLY	retube 2' LED	2,548	0.0	0.0	0.0	84	69	15
216.0	George Washington ms	Bath Bath Wt101	1	2L2' T8 15w/EL LO	vanity	1	1	2L2' LED 7w/ELEE LO/RETUBE ONLY	retube 2' LED	2,548	0.0	0.0	0.0	61	43	18
217.0	George Washington ms	Bath Bath Wt101	1	21 WATT LED	can rec vert	1		NO RETRO	no change already LED	2,548	0.0	0.0		54	54	
218.0	George Washington ms	Storage Storage By Auditorium	1	2L4' T8 28w/ELEE LO-8'	strip	1	1	2L4' LED 13w/ELEE LO/RETUBE ONLY	retube 4' LED	350	0.0	0.0	0.0	15	10	5
219.0	George Washington ms	Storage Storage At104 Ticket Booth	1	2L4' T8 28w/ELEE LO-8'	strip	1	1	2L4' LED 13w/ELEE LO/RETUBE ONLY	retube 4' LED	350	0.0	0.0	0.0	15	10	5
220.0	George Washington ms	Bath Bath Bt141	1	2L2' F40 BIAX/EL	trof acr	1		NO RETRO	no change	2,548	0.1	0.1		161	161	
221.0	George Washington ms	Bath Bath Bt141	1	2L4' T8 28w/ELEE LO	trof acr	2	2	2L4' LED 13w/ELEE LO/RETUBE ONLY	retube 4' LED	2,548	0.1	0.1	0.0	214	143	71
222.0	George Washington ms	Bath Bath Bt141	1	2L4' T8 28w/ELEE LO	vanity	1	1	2L4' LED 13w/ELEE LO/RETUBE ONLY	retube 4' LED	2,548	0.0	0.0	0.0	107	71	36
223.0	George Washington ms	Bath Bath Gt141	1	2L4' T8 28w/ELEE LO	trof acr	4	4	2L4' LED 13w/ELEE LO/RETUBE ONLY	retube 4' LED	2,548	0.2	0.1	0.0	428	285	143
224.0	George Washington ms	Classroom Classroom 140	1	2L4' T8 28w/ELEE HI-8'	wrap	9	9	2L4' LED 13w/ELEE HI/RETUBE ONLY	retube 4' LED	1,988	0.6	0.4	0.2	1,145	769	376
225.0	George Washington ms	Office Office 141	1	2L4' T8 28w/ELEE HI-8'	wrap	2	2	2L4' LED 13w/ELEE HI/RETUBE ONLY	retube 4' LED	1,988	0.1	0.1	0.0	254	171	83
226.0	George Washington ms	Closet Closet As141	1	1L4' T8 28w/ELEE HI	wrap	2	2	1L4' LED 13w/ELEE HI/RETUBE ONLY	retube 4' LED	350	0.1	0.0	0.0	23	15	8
227.0	George Washington ms	Closet Closet Bs141	1	1L4' T8 28w/ELEE HI	wrap	2	2	1L4' LED 13w/ELEE HI/RETUBE ONLY	retube 4' LED	350	0.1	0.0	0.0	23	15	8
228.0	George Washington ms	Classroom Classroom 139	1	2L4' T8 28w/ELEE HI-8'	wrap	7	7	2L4' LED 13w/ELEE HI/RETUBE ONLY	retube 4' LED	1,988	0.4	0.3	0.1	891	598	292
229.0	George Washington ms	Classroom Classroom 139	1	1L4' T8 28w/ELEE HI	wrap	2	2	1L4' LED 13w/ELEE HI/RETUBE ONLY	retube 4' LED	1,988	0.1	0.0	0.0	131	85	46
230.0	George Washington ms	Classroom Classroom 138	1	2L4' T8 28w/ELEE HI-8'	wrap	9	9	2L4' LED 13w/ELEE HI/RETUBE ONLY	retube 4' LED	1,988	0.6	0.4	0.2	1,145	769	376
231.0	George Washington ms	Classroom Classroom 137	1	2L4' T8 28w/ELEE HI-8'	wrap	9	9	2L4' LED 13w/ELEE HI/RETUBE ONLY	retube 4' LED	1,988	0.6	0.4	0.2	1,145	769	376
232.0	George Washington ms	Storage Storage Server	1	2L4' T8 28w/ELEE	trof acr	2	2	2L4' LED 13w/ELEE/RETUBE ONLY	retube 4' LED	1,708	0.1	0.1	0.0	164	109	55
233.0	George Washington ms	Office Office 128Ao	1	2L4' T8 28w/ELEE HI	trof acr	2	2	2L4' LED 13w/ELEE HI/RETUBE ONLY	retube 4' LED	1,988	0.1	0.1	0.0	254	171	83
234.0	George Washington ms	Lounge Lounge Media Center Staff	1	2L4' T8 28w/ELEE HI	wrap	6	6	2L4' LED 13w/ELEE HI/RETUBE ONLY	retube 4' LED	1,764	0.4	0.3	0.1	677	455	222
235.0	George Washington ms	Library Library Media Center Staff	1	2L4' T8 28w/ELEE	trof acr	19	19	2L4' LED 13w/ELEE/RETUBE ONLY	retube 4' LED	1,988	0.9	0.6	0.3	1,813	1,209	604
236.0	George Washington ms	Library Library Media Center Staff	1	2L4' T8 28w/ELEE	trof acr	18	18	2L4' LED 13w/ELEE/RETUBE ONLY	retube 4' LED	1,988	0.9	0.6	0.2	1,718	1,145	573
237.0	George Washington ms	Hall Hall 1A	1	2L2' T8 15w/EL	trof acr	27	27	2L2' LED 7w/ELEE/RETUBE ONLY	retube 2' LED	3,640	0.8	0.5	0.2	2,752	1,867	885
238.0	George Washington ms	Hall Hall By Court Yard	1	2L2' T8 15w/EL	trof acr	6	6	2L2' LED 7w/ELEE/RETUBE ONLY	retube 2' LED	1,820	0.2	0.1	0.1	306	207	98
239.0	George Washington ms	Hall Hall 1B	1	3L2' T8 15w/EL	trof opaque	8	8	3L2' LED 7w/ELEE/RETUBE ONLY	retube 2' LED	3,640	0.6	0.5	0.2	2,271	1,660	612
240.0	George Washington ms	Classroom Classroom 105 Wood Shop	1	4L4' T8 28w/ELEE HI	wrap	20	20	2L4' LED 13w/ELEE HI/RETUBE ONLY	retube 4' LED	2,840	2.5	1.7	0.8	7,157	4,885	2,272
241.0	George Washington ms	Office Office 105Ao	1	2L4' T8 28w/ELEE HI-8'	wrap	1	1	2L4' LED 13w/ELEE HI/RETUBE ONLY	retube 4' LED	1,988	0.1	0.0	0.0	127	85	42
242.0	George Washington ms	Closet Closet 105Bs	1	2L4' T8 28w/ELEE LO-8'	strip	1	1	2L4' LED 13w/ELEE LO/RETUBE ONLY	retube 4' LED	350	0.0	0.0	0.0	15	10	5
243.0	George Washington ms	Closet Closet 105Bs	1	2L4' T8 28w/ELEE HI	wrap	1	1	2L4' LED 13w/ELEE HI/RETUBE ONLY	retube 4' LED	350	0.1	0.0	0.0	22	15	7
244.0	George Washington ms	Closet Closet 105Sc	1	1L4' T8 28w/ELEE HI	wrap	1	1	1L4' LED 13w/ELEE HI/RETUBE ONLY	retube 4' LED	350	0.0	0.0	0.0	12	8	4
245.0	George Washington ms	Hall Hall 1D	1	3L2' T8 15w/EL	trof opaque	21	21	3L2' LED 7w/ELEE/RETUBE ONLY	retube 2' LED	3,640	1.6	1.2	0.4	5,962	4,357	1,605
246.0	George Washington ms	Hall Hall 1D	1	6L4' T8 28w/ELEE LO	circular opaque rec	1	1	3L4' LED 13w/ELEE/RETUBE ONLY	retube 4' LED	3,640	0.1	0.1	0.0	459	349	109
247.0	George Washington ms	Hall Hall Display Case	1	2L4' T8 28w/ELEE LO	trof opaque 6"	2	2	2L4' LED 13w/ELEE LO/RETUBE ONLY	retube 4' LED	3,640	0.1	0.1	0.0	306	204	102
248.0	George Washington ms	Hall Hall Display Case	1	2L2' T8 15w/EL	trof acr	1	1	2L2' LED 7w/ELEE/RETUBE ONLY	retube 2' LED	3,640	0.0	0.0	0.0	102	69	33
249.0	George Washington ms	Hall Hall Display Case	1	2L2' T8 15w/EL	trof acr	1	1	2L2' LED 7w/ELEE/RETUBE ONLY	retube 2' LED	3,640	0.0	0.0	0.0	102	69	33
250.0	George Washington ms	Hall Hall 1F	1	2L4' T8 28w/ELEE	trof acr	2	2	2L4' LED 13w/ELEE/RETUBE ONLY	retube 4' LED	3,640	0.1	0.1	0.0	349	233	116
251.0	George Washington ms	Hall Hall 1F	1	2L4' T8 28w/ELEE	trof acr	3	3	2L4' LED 13w/ELEE/RETUBE ONLY	retube 4' LED	1,820	0.1	0.1	0.0	262	175	87
252.0	George Washington ms	Hall Hall 1G	1	2L4' T8 28w/ELEE	trof acr	2	2	2L4' LED 13w/ELEE/RETUBE ONLY	retube 4' LED	3,640	0.1	0.1	0.0	349	233	116
253.0	George Washington ms	Hall Hall 1G	1	2L4' T8 28w/ELEE LO	trof acr 1' wide	26	26	2L4' LED 13w/ELEE LO/RETUBE ONLY	retube 4' LED	1,820	1.1	0.7	0.4	1,987	1,325	662
254.0	George Washington ms	Hall Hall 1E	1	2L4' T8 28w/ELEE	trof acr	3	3	2L4' LED 13w/ELEE/RETUBE ONLY	retube 4' LED	3,640	0.1	0.1	0.0	524	349	175
255.0	George Washington ms	Hall Hall 1E	1	2L4' T8 28w/ELEE	trof acr	2	2	2L4' LED 13w/ELEE/RETUBE ONLY	retube 4' LED	3,640	0.1	0.1	0.0	349	233	116



Wayne NJ

Phase 2 Lighting Scope of Work

Line	Building Name	Location	FI	Pre Fixture Description	Pre Fixture Style	Pre Qty	Pre Qty In Scope	Post Fixture Description	Post Fixture Style	Annual Hours	Pre kW	Post kW	kW Saved Coin.	Pre kWh	Post kWh	kWh Saved
256.0	George Washington ms	Hall Hall 1C	1	2L4' T8 28w/ELEE	trof acr	5	5	2L4' LED 13w/ELEE/RETUBE ONLY	retube 4' LED	3,640	0.2	0.2	0.1	874	582	291
270.0	George Washington ms	Storage Storage Portable	1	1L4' T8 28w/ELEE HI	wrap	34	34	1L4' LED 13w/ELEE HI/RETUBE ONLY	retube 4' LED	500	1.1	0.7	0.4	561	366	196
271.0	Packanack Elem	Classroom Classroom 24	1	2L4' T8 28w/ELEE HI-8'	wrap	9	9	2L4' LED 13w/ELEE HI/RETUBE ONLY	retube 4' LED	1,764	0.6	0.4	0.2	1,016	683	333
272.0	Packanack Elem	Bath Bath 24	1	2x13W CF HARDWIRED	square surface mt.	1		NO RETRO	no change	3,320	0.0	0.0		100	100	
273.0	Packanack Elem	Classroom Classroom 25	1	2L4' T8 28w/ELEE HI-8'	wrap	10	10	2L4' LED 13w/ELEE HI/RETUBE ONLY	retube 4' LED	1,764	0.6	0.4	0.2	1,129	759	370
274.0	Packanack Elem	Bath Bath 25	1	2x13W CF HARDWIRED	square surface mt.	1		NO RETRO	no change	3,320	0.0	0.0		100	100	
275.0	Packanack Elem	Storage Storage 25	1	1L4' T8 28w/ELEE HI	wrap	1	1	1L4' LED 13w/ELEE HI/RETUBE ONLY	retube 4' LED	350	0.0	0.0	0.0	12	8	4
276.0	Packanack Elem	Classroom Classroom 23	1	2L4' T8 28w/ELEE HI-8'	wrap	9	9	2L4' LED 13w/ELEE HI/RETUBE ONLY	retube 4' LED	1,764	0.6	0.4	0.2	1,016	683	333
277.0	Packanack Elem	Bath Bath 23	1	2x13W CF HARDWIRED	square surface mt.	1		NO RETRO	no change	3,320	0.0	0.0		100	100	
278.0	Packanack Elem	Classroom Classroom 26	1	2L4' T8 28w/ELEE HI-8'	wrap	10	10	2L4' LED 13w/ELEE HI/RETUBE ONLY	retube 4' LED	1,764	0.6	0.4	0.2	1,129	759	370
279.0	Packanack Elem	Bath Bath 26	1	2x13W CF HARDWIRED	square surface mt.	1		NO RETRO	no change	3,320	0.0	0.0		100	100	
280.0	Packanack Elem	Storage Storage 26	1	1L4' T8 28w/ELEE HI	wrap	1	1	1L4' LED 13w/ELEE HI/RETUBE ONLY	retube 4' LED	350	0.0	0.0	0.0	12	8	4
281.0	Packanack Elem	Classroom Classroom 23	1	2L4' T8 28w/ELEE HI-8'	wrap	9	9	2L4' LED 13w/ELEE HI/RETUBE ONLY	retube 4' LED	1,764	0.6	0.4	0.2	1,016	683	333
282.0	Packanack Elem	Bath Bath 23	1	2x13W CF HARDWIRED	square surface mt.	1		NO RETRO	no change	3,320	0.0	0.0		100	100	
283.0	Packanack Elem	Classroom Classroom 21	1	2L4' T8 28w/ELEE HI-8'	wrap	9	9	2L4' LED 13w/ELEE HI/RETUBE ONLY	retube 4' LED	1,764	0.6	0.4	0.2	1,016	683	333
284.0	Packanack Elem	Bath Bath 21	1	2x13W CF HARDWIRED	square surface mt.	1		NO RETRO	no change	3,320	0.0	0.0		100	100	
285.0	Packanack Elem	Classroom Classroom 27	1	2L4' T8 28w/ELEE HI-8'	wrap	10	10	2L4' LED 13w/ELEE HI/RETUBE ONLY	retube 4' LED	1,764	0.6	0.4	0.2	1,129	759	370
286.0	Packanack Elem	Bath Bath 27	1	2x13W CF HARDWIRED	square surface mt.	1		NO RETRO	no change	3,320	0.0	0.0		100	100	
287.0	Packanack Elem	Storage Storage 27	1	1L4' T8 28w/ELEE HI	wrap	1	1	1L4' LED 13w/ELEE HI/RETUBE ONLY	retube 4' LED	350	0.0	0.0	0.0	12	8	4
288.0	Packanack Elem	Classroom Classroom 20	1	2L4' T8 28w/ELEE HI-8'	wrap	9	9	2L4' LED 13w/ELEE HI/RETUBE ONLY	retube 4' LED	1,764	0.6	0.4	0.2	1,016	683	333
289.0	Packanack Elem	Bath Bath 20	1	2x13W CF HARDWIRED	square surface mt.	1		NO RETRO	no change	3,320	0.0	0.0		100	100	
290.0	Packanack Elem	Lounge Lounge Teachers	1	3L2' T8 15w/EL	decorative	6	6	3L2' LED 7w/ELEE/RETUBE ONLY	retube 2' LED	1,764	0.5	0.3	0.1	826	603	222
291.0	Packanack Elem	Hall Hall 25 To 20	1	2L4' T8 28w/ELEE HI	trof acr	10	10	2L4' LED 13w/ELEE/RETUBE ONLY	retube 4' LED	3,620	0.5	0.3	0.2	1,738	1,158	579
292.0	Packanack Elem	Bath Bath Girls	1	13W CF HARDWIRED	can rec hor 6"	4		NO RETRO	no change	2,324	0.1	0.1		139	139	
293.0	Packanack Elem	Bath Bath Girls	1	2L2' T8 15w/EL LO	vanity	1	1	2L2' LED 7w/ELEE LO/RETUBE ONLY	retube 2' LED	2,324	0.0	0.0	0.0	56	40	16
294.0	Packanack Elem	Closet Closet Clean	1	2L2' T8 15w/EL LO	wrap	1	1	2L2' LED 7w/ELEE LO/RETUBE ONLY	retube 2' LED	350	0.0	0.0	0.0	8	6	2
295.0	Packanack Elem	Bath Bath Boys	1	13W CF HARDWIRED	can rec hor 6"	4		NO RETRO	no change	2,324	0.1	0.1		139	139	
296.0	Packanack Elem	Bath Bath Boys	1	2L2' T8 15w/EL LO	vanity	1	1	2L2' LED 7w/ELEE LO/RETUBE ONLY	retube 2' LED	2,324	0.0	0.0	0.0	56	40	16
297.0	Packanack Elem	Cafeteria Cafeteria Seating Area	1	2L4' T8 28w/ELEE HI	wrap	4	4	2L4' LED 13w/ELEE HI/RETUBE ONLY	retube 4' LED	2,720	0.3	0.2	0.1	696	468	228
298.0	Packanack Elem	Cafeteria Cafeteria Seating Area	1	2L4' T8 28w/ELEE HI	wrap	33	33	2L4' LED 13w/ELEE HI/RETUBE ONLY	retube 4' LED	2,720	2.1	1.4	0.7	5,745	3,860	1,885
299.0	Packanack Elem	Storage Storage Dry Goods	1	1L4' T8 28w/ELEE HI	wrap	1	1	1L4' LED 13w/ELEE HI/RETUBE ONLY	retube 4' LED	350	0.0	0.0	0.0	12	8	4
300.0	Packanack Elem	Kitchen Kitchen Prep Area	1	4L4' T8 28w/ELEE LO-8'	wrap	1	1	4L4' LED 13w/ELEE LO/RETUBE ONLY	retube 4' LED	1,920	0.1	0.1	0.0	159	108	52
301.0	Packanack Elem	Kitchen Kitchen Prep Area	1	2L4' T8 28w/ELEE LO	wrap	4	4	2L4' LED 13w/ELEE LO/RETUBE ONLY	retube 4' LED	1,920	0.2	0.1	0.1	323	215	108
302.0	Packanack Elem	Kitchen Kitchen Prep Area	1	4L4' T8 28w/ELEE LO-8'	wrap	5	5	4L4' LED 13w/ELEE LO/RETUBE ONLY	retube 4' LED	1,920	0.4	0.3	0.1	797	538	259
303.0	Packanack Elem	Hall Hall Kitchen	1	2L4' T8 28w/ELEE	trof acr	1	1	2L4' LED 13w/ELEE/RETUBE ONLY	retube 4' LED	3,620	0.0	0.0	0.0	174	116	58
304.0	Packanack Elem	Hall Hall Kitchen	1	2L4' T8 28w/ELEE HI-8'	wrap	1	1	2L4' LED 13w/ELEE HI/RETUBE ONLY	retube 4' LED	3,620	0.1	0.0	0.0	232	156	76
305.0	Packanack Elem	Hall Hall Kitchen	1	2L2' T8 15w/EL	trof acr	1	1	2L2' LED 7w/ELEE/RETUBE ONLY	retube 2' LED	3,620	0.0	0.0	0.0	101	69	33
306.0	Packanack Elem	Closet Closet Incinerator	1	2L2' T8 15w/EL LO	wrap	1	1	2L2' LED 7w/ELEE LO/RETUBE ONLY	retube 2' LED	500	0.0	0.0	0.0	12	9	4
307.0	Packanack Elem	Classroom Classroom 18	1	2L4' T8 28w/ELEE HI-8'	wrap	8	8	2L4' LED 13w/ELEE HI/RETUBE ONLY	retube 4' LED	1,764	0.5	0.3	0.1	903	607	296
308.0	Packanack Elem	Classroom Classroom 18	1	1L4' T8 28w/ELEE HI	wrap	1	1	1L4' LED 13w/ELEE HI/RETUBE ONLY	retube 4' LED	2,520	0.0	0.0	0.0	83	54	29
309.0	Packanack Elem	Bath Bath 18	1	13W CF HARDWIRED	square surface mt.	1		NO RETRO	no change	2,324	0.0	0.0		35	35	
310.0	Packanack Elem	Classroom Classroom 19	1	2L4' T8 28w/ELEE HI-8'	wrap	8	8	2L4' LED 13w/ELEE HI/RETUBE ONLY	retube 4' LED	1,764	0.5	0.3	0.1	903	607	296
311.0	Packanack Elem	Classroom Classroom 19	1	1L4' T8 28w/ELEE HI	wrap	1	1	1L4' LED 13w/ELEE HI/RETUBE ONLY	retube 4' LED	2,520	0.0	0.0	0.0	83	54	29
312.0	Packanack Elem	Bath Bath 19	1	13W CF HARDWIRED	square surface mt.	1		NO RETRO	no change	2,324	0.0	0.0		35	35	
313.0	Packanack Elem	Classroom Classroom 16	1	2L4' T8 28w/ELEE HI-8'	wrap	8	8	2L4' LED 13w/ELEE HI/RETUBE ONLY	retube 4' LED	1,764	0.5	0.3	0.1	903	607	296
314.0	Packanack Elem	Classroom Classroom 16	1	1L4' T8 28w/ELEE HI	wrap	1	1	1L4' LED 13w/ELEE HI/RETUBE ONLY	retube 4' LED	2,520	0.0	0.0	0.0	83	54	29
315.0	Packanack Elem	Bath Bath 16	1	13W CF HARDWIRED	square surface mt.	1		NO RETRO	no change	2,324	0.0	0.0		35	35	
316.0	Packanack Elem	Classroom Classroom 17	1	2L4' T8 28w/ELEE HI-8'	wrap	8	8	2L4' LED 13w/ELEE HI/RETUBE ONLY	retube 4' LED	1,764	0.5	0.3	0.1	903	607	296
317.0	Packanack Elem	Classroom Classroom 17	1	1L4' T8 28w/ELEE HI	wrap	1	1	1L4' LED 13w/ELEE HI/RETUBE ONLY	retube 4' LED	2,520	0.0	0.0	0.0	83	54	29
318.0	Packanack Elem	Bath Bath 17	1	13W CF HARDWIRED	square surface mt.	1		NO RETRO	no change	2,324	0.0	0.0		35	35	
319.0	Packanack Elem	Office Office Nurse	1	2L4' T8 28w/ELEE HI-8'	wrap	2	2	2L4' LED 13w/ELEE HI/RETUBE ONLY	retube 4' LED	1,624	0.1	0.1	0.0	208	140	68



Line	Building Name	Location	FI	Pre Fixture Description	Pre Fixture Style	Pre Qty	Pre Qty In Scope	Post Fixture Description	Post Fixture Style	Annual Hours	Pre kW	Post kW	kW Saved Co-in.	Pre kWh	Post kWh	kWh Saved
320.0	Packanack Elem	Bath Bath Nurse	1	2L4' T8 28w/ELEE LO	vanity	1	1	2L4' LED 13w/ELEE LO/RETUBE ONLY	retube 4' LED	2,324	0.0	0.0	0.0	98	65	33
321.0	Packanack Elem	Classroom Classroom 15	1	2L4' T8 28w/ELEE HI	trof acr	7	7	2L4' LED 13w/ELEE HI/RETUBE ONLY	retube 4' LED	2,520	0.4	0.3	0.1	1,129	759	370
322.0	Packanack Elem	Bath Bath 15	1	1L2' T8 15w/EL LO	vanity	1	1	1L2' LED 7w/ELEE LO/RETUBE ONLY	retube 2' LED	2,324	0.0	0.0	0.0	33	20	13
323.0	Packanack Elem	Storage Storage Supplies	1	1L2' T8 15w/EL LO	vanity	1	1	1L2' LED 7w/ELEE LO/RETUBE ONLY	retube 2' LED	350	0.0	0.0	0.0	5	3	2
324.0	Packanack Elem	Classroom Classroom 14	1	2L4' T8 28w/ELEE HI-8'	wrap	6	6	2L4' LED 13w/ELEE HI/RETUBE ONLY	retube 4' LED	1,764	0.4	0.3	0.1	677	455	222
325.0	Packanack Elem	Classroom Classroom 11	1	2L4' T8 28w/ELEE HI-8'	wrap	8	8	2L4' LED 13w/ELEE HI/RETUBE ONLY	retube 4' LED	2,520	0.5	0.3	0.2	1,290	867	423
326.0	Packanack Elem	Storage Storage 11	1	2L2' T8 15w/EL LO	wrap	1	1	2L2' LED 7w/ELEE LO/RETUBE ONLY	retube 2' LED	350	0.0	0.0	0.0	8	6	2
327.0	Packanack Elem	Bath Bath 11	1	1L4' T8 28w/ELEE HI	wrap	1	1	1L4' LED 13w/ELEE HI/RETUBE ONLY	retube 4' LED	2,324	0.0	0.0	0.0	77	50	27
328.0	Packanack Elem	Classroom Classroom 13	1	2L4' T8 28w/ELEE HI-8'	wrap	6	6	2L4' LED 13w/ELEE HI/RETUBE ONLY	retube 4' LED	1,764	0.4	0.3	0.1	677	455	222
329.0	Packanack Elem	Bath Bath 13	1	1L2' T8 15w/EL LO	vanity	1	1	1L2' LED 7w/ELEE LO/RETUBE ONLY	retube 2' LED	2,324	0.0	0.0	0.0	33	20	13
330.0	Packanack Elem	Hall Hall 12 To 18	1	1L4' T8 28w/ELEE HI	wrap	4	4	1L4' LED 13w/ELEE HI/RETUBE ONLY	retube 4' LED	3,620	0.1	0.1	0.0	478	311	167
331.0	Packanack Elem	Hall Hall 12 To 18	1	2L2' T8 15w/EL	trof acr	2	2	2L2' LED 7w/ELEE/RETUBE ONLY	retube 2' LED	3,620	0.1	0.0	0.0	203	138	65
332.0	Packanack Elem	Hall Hall 12 To 18	1	2L4' T8 28w/ELEE	box acrylic	5	5	2L4' LED 13w/ELEE/RETUBE ONLY	retube 4' LED	3,620	0.2	0.2	0.0	869	579	290
333.0	Packanack Elem	Library Library 12 To 18	1	2L4' T8 28w/ELEE HI	trof acr	37	37	2L4' LED 13w/ELEE HI/RETUBE ONLY	retube 4' LED	1,764	2.4	1.6	0.7	4,177	2,807	1,371
334.0	Packanack Elem	Library Library 12 To 18	1	2L4' T8 28w/ELEE HI	trof acr	4	4	2L4' LED 13w/ELEE HI/RETUBE ONLY	retube 4' LED	1,764	0.3	0.2	0.1	452	303	148
335.0	Packanack Elem	Library Library 12 To 18	1	175w METAL HALIDE	indirect	4		NO RETRO	no change	1,764	0.8	0.8		1,446	1,446	
336.0	Packanack Elem	Library Library 12 To 18	1	2L2' T8 15w/EL	trof acr	3	3	2L2' LED 7w/ELEE HI/RETUBE ONLY	retube 2' LED	1,764	0.1	0.1	0.0	175	143	32
337.0	Packanack Elem	Office Office Library	1	2L4' T8 28w/ELEE HI	trof acr	4	4	2L4' LED 13w/ELEE HI/RETUBE ONLY	retube 4' LED	1,624	0.3	0.2	0.1	416	279	136
338.0	Packanack Elem	Storage Storage Server	1	1L4' T8 28w/ELEE HI	wrap	2	2	1L4' LED 13w/ELEE HI/RETUBE ONLY	retube 4' LED	350	0.1	0.0	0.0	23	15	8
339.0	Packanack Elem	Storage Storage Sprinkler Room	1	2L4' T8 28w/ELEE HI	trof acr	2	2	2L4' LED 13w/ELEE HI/RETUBE ONLY	retube 4' LED	350	0.1	0.1	0.0	45	30	15
340.0	Packanack Elem	Hall Hall By Library	1	2L4' T8 28w/ELEE	trof acr	5	5	2L4' LED 13w/ELEE/RETUBE ONLY	retube 4' LED	2,534	0.2	0.2	0.1	608	405	203
341.0	Packanack Elem	Classroom Classroom 103B	1	2L4' T8 28w/ELEE HI	trof acrylic dbl switch	6	6	2L4' LED 13w/ELEE HI/RETUBE ONLY	retube 4' LED	1,764	0.4	0.3	0.1	677	455	222
342.0	Packanack Elem	Classroom Classroom 103A	1	2L4' T8 28w/ELEE HI	trof acrylic dbl switch	6	6	2L4' LED 13w/ELEE HI/RETUBE ONLY	retube 4' LED	1,764	0.4	0.3	0.1	677	455	222
343.0	Packanack Elem	Hall Hall 103B To 100	1	2L4' T8 28w/ELEE	trof acr	12	12	2L4' LED 13w/ELEE/RETUBE ONLY	retube 4' LED	3,620	0.6	0.4	0.2	2,085	1,390	695
344.0	Packanack Elem	Classroom Classroom 102	1	2L4' T8 28w/ELEE HI	trof acrylic dbl switch	14	14	2L4' LED 13w/ELEE HI/RETUBE ONLY	retube 4' LED	1,764	0.9	0.6	0.2	1,581	1,062	519
345.0	Packanack Elem	Classroom Classroom 101B	1	2L4' T8 28w/ELEE HI	trof acrylic dbl switch	6	6	2L4' LED 13w/ELEE HI/RETUBE ONLY	retube 4' LED	1,764	0.4	0.3	0.1	677	455	222
346.0	Packanack Elem	Classroom Classroom 101A	1	2L4' T8 28w/ELEE HI	trof acrylic dbl switch	6	6	2L4' LED 13w/ELEE HI/RETUBE ONLY	retube 4' LED	1,764	0.4	0.3	0.1	677	455	222
347.0	Packanack Elem	Classroom Classroom 100	1	2L4' T8 28w/ELEE HI	trof acrylic dbl switch	12	12	2L4' LED 13w/ELEE HI/RETUBE ONLY	retube 4' LED	1,764	0.8	0.5	0.2	1,355	910	445
348.0	Packanack Elem	Bath Bath Girls	1	2L4' T8 28w/ELEE HI	trof acr	3	3	2L4' LED 13w/ELEE HI/RETUBE ONLY	retube 4' LED	2,324	0.2	0.1	0.1	446	300	146
349.0	Packanack Elem	Bath Bath Boys	1	2L4' T8 28w/ELEE HI	trof acr	2	2	2L4' LED 13w/ELEE HI/RETUBE ONLY	retube 4' LED	2,324	0.1	0.1	0.0	297	200	98
350.0	Packanack Elem	Hall Hall Baths To Office	1	1L4' T8 28w/ELEE HI	wrap	3	3	1L4' LED 13w/ELEE HI/RETUBE ONLY	retube 4' LED	3,620	0.1	0.1	0.0	358	233	125
351.0	Packanack Elem	Hall Hall Baths To Office	1	2L4' T8 28w/ELEE	trof acr	6	6	2L4' LED 13w/ELEE/RETUBE ONLY	retube 4' LED	3,620	0.3	0.2	0.1	1,043	695	348
352.0	Packanack Elem	Office Office Cst	1	2L4' T8 28w/ELEE HI	trof acr	4	4	2L4' LED 13w/ELEE HI/RETUBE ONLY	retube 4' LED	1,624	0.3	0.2	0.1	416	279	136
353.0	Packanack Elem	Storage Storage By Cst	1	1L4' T8 28w/ELEE HI	wrap	1	1	1L4' LED 13w/ELEE HI/RETUBE ONLY	retube 4' LED	500	0.0	0.0	0.0	17	11	6
354.0	Packanack Elem	Office Office Custodian	1	2L4' T8 28w/ELEE HI	trof acr	1	1	2L4' LED 13w/ELEE HI/RETUBE ONLY	retube 4' LED	1,624	0.1	0.0	0.0	104	70	34
355.0	Packanack Elem	Classroom Classroom 8	1	2L4' T8 28w/ELEE HI-8'	wrap	6	6	2L4' LED 13w/ELEE HI/RETUBE ONLY	retube 4' LED	1,764	0.4	0.3	0.1	677	455	222
356.0	Packanack Elem	Office Office Phone	1	2L4' T8 28w/ELEE HI	wrap	1	1	2L4' LED 13w/ELEE HI/RETUBE ONLY	retube 4' LED	1,624	0.1	0.0	0.0	104	70	34
357.0	Packanack Elem	Bath Bath Boys	1	2L4' T8 28w/ELEE HI	box acrylic	2	2	2L4' LED 13w/ELEE HI/RETUBE ONLY	retube 4' LED	2,324	0.1	0.1	0.0	297	200	98
358.0	Packanack Elem	Classroom Classroom 7	1	2L4' T8 28w/ELEE HI-8'	wrap	6	6	2L4' LED 13w/ELEE HI/RETUBE ONLY	retube 4' LED	1,764	0.4	0.3	0.1	677	455	222
359.0	Packanack Elem	Classroom Classroom 6	1	2L4' T8 28w/ELEE HI-8'	wrap	6	6	2L4' LED 13w/ELEE HI/RETUBE ONLY	retube 4' LED	1,764	0.4	0.3	0.1	677	455	222
360.0	Packanack Elem	Classroom Classroom 5	1	2L4' T8 28w/ELEE HI-8'	wrap	6	6	2L4' LED 13w/ELEE HI/RETUBE ONLY	retube 4' LED	1,764	0.4	0.3	0.1	677	455	222
361.0	Packanack Elem	Classroom Classroom 4	1	2L4' T8 28w/ELEE HI-8'	wrap	6	6	2L4' LED 13w/ELEE HI/RETUBE ONLY	retube 4' LED	1,764	0.4	0.3	0.1	677	455	222
362.0	Packanack Elem	Office Office Main	1	2L4' T8 28w/ELEE HI	box acrylic	1	1	2L4' LED 13w/ELEE HI/RETUBE ONLY	retube 4' LED	1,624	0.1	0.0	0.0	104	70	34
363.0	Packanack Elem	Office Office Main	1	2L4' T8 28w/ELEE HI-8'	wrap	1	1	2L4' LED 13w/ELEE HI/RETUBE ONLY	retube 4' LED	1,624	0.1	0.0	0.0	104	70	34
364.0	Packanack Elem	Hall Hall To Principal	1	1L4' T8 28w/ELEE HI	wrap	1	1	1L4' LED 13w/ELEE HI/RETUBE ONLY	retube 4' LED	2,534	0.0	0.0	0.0	84	54	29
365.0	Packanack Elem	Bath Bath Main Office	1	2L4' T8 28w/ELEE HI	box acrylic	1	1	2L4' LED 13w/ELEE HI/RETUBE ONLY	retube 4' LED	2,324	0.1	0.0	0.0	149	100	49
366.0	Packanack Elem	Hall Hall Lib To Stage	1	2L4' T8 28w/ELEE	trof acr	12	12	2L4' LED 13w/ELEE/RETUBE ONLY	retube 4' LED	3,620	0.6	0.4	0.2	2,085	1,390	695
367.0	Packanack Elem	Hall Hall Lib To Stage	1	1L4' T8 28w/ELEE HI	wrap	2	2	1L4' LED 13w/ELEE HI/RETUBE ONLY	retube 4' LED	3,620	0.1	0.0	0.0	239	156	83
368.0	Packanack Elem	Hall Hall Display Case	1	1L4' T8 28w/ELEE LO	strip	1	1	1L4' LED 13w/ELEE LO/RETUBE ONLY	retube 4' LED	3,620	0.0	0.0	0.0	80	51	29
369.0	Packanack Elem	Office Office Copy	1	1L4' T8 28w/ELEE HI	wrap	1	1	1L4' LED 13w/ELEE HI/RETUBE ONLY	retube 4' LED	2,320	0.0	0.0	0.0	77	50	27
370.0	Packanack Elem	Office Office Principal	1	2L4' T8 28w/ELEE HI	trof acr	4	4	2L4' LED 13w/ELEE HI/RETUBE ONLY	retube 4' LED	1,624	0.3	0.2	0.1	416	279	136

Line	Building Name	Location	FI	Pre Fixture Description	Pre Fixture Style	Pre Qty	Pre Qty In Scope	Post Fixture Description	Post Fixture Style	Annual Hours	Pre kW	Post kW	kW Saved Coin.	Pre kWh	Post kWh	kWh Saved
371.0	Packanack Elem	Bath Bath Girls	1	2L4' T8 28w/ELEE HI	box acrylic	2	2	2L4' LED 13w/ELEE HI/RETUBE ONLY	retube 4' LED	3,320	0.1	0.1	0.0	425	286	139
372.0	Packanack Elem	Closet Closet Clean	1	23W CF HARDWIRED/EL	keyless	1		NO RETRO	no change	500	0.0	0.0		13	13	
373.0	Packanack Elem	Storage Storage Books	1	1L4' T8 28w/ELEE HI	wrap	1	1	1L4' LED 13w/ELEE HI/RETUBE ONLY	retube 4' LED	500	0.0	0.0	0.0	17	11	6
374.0	Packanack Elem	Mechanical Mechanical Boiler	1	2L4' T8 28w/ELEE LO	industrial	6	6	2L4' LED 13w/ELEE LO/RETUBE ONLY	retube 4' LED	500	0.3	0.2	0.1	126	84	42
375.0	Packanack Elem	Gym Gym Main	1	4L4' T5HO 54w/EL	wrap	12		NO RETRO	no change	2,044	2.8	2.8		5,740	5,740	
376.0	Packanack Elem	Stage Stage	1	4L4' T8 28w/ELEE HI	strip	2	2	2L4' LED 13w/ELEE HI/RETUBE ONLY	retube 4' LED	2,920	0.3	0.2	0.1	736	502	234
377.0	Packanack Elem	Stage Stage	1	2L4' T8 28w/ELEE	wrap	6	6	2L4' LED 13w/ELEE/RETUBE ONLY	retube 4' LED	2,920	0.3	0.2	0.1	841	561	280
378.0	Packanack Elem	Hall Hall By Stage	1	1L4' T8 28w/ELEE HI	wrap	1	1	1L4' LED 13w/ELEE HI/RETUBE ONLY	retube 4' LED	2,534	0.0	0.0	0.0	84	54	29
379.0	Packanack Elem	Hall Hall 1 To 3	1	2L4' T8 28w/ELEE	trof acr	3	3	2L4' LED 13w/ELEE/RETUBE ONLY	retube 4' LED	3,620	0.1	0.1	0.0	521	348	174
380.0	Packanack Elem	Hall Hall 1 To 3	1	1L4' T8 28w/ELEE HI	wrap	1	1	1L4' LED 13w/ELEE HI/RETUBE ONLY	retube 4' LED	3,620	0.0	0.0	0.0	119	78	42
381.0	Packanack Elem	Classroom Classroom 3	1	2L4' T8 28w/ELEE HI-8'	wrap	6	6	2L4' LED 13w/ELEE HI/RETUBE ONLY	retube 4' LED	1,764	0.4	0.3	0.1	677	455	222
382.0	Packanack Elem	Classroom Classroom 2	1	2L4' T8 28w/ELEE HI-8'	wrap	6	6	2L4' LED 13w/ELEE HI/RETUBE ONLY	retube 4' LED	1,764	0.4	0.3	0.1	677	455	222
383.0	Packanack Elem	Classroom Classroom 1	1	2L4' T8 28w/ELEE HI-8'	wrap	6	6	2L4' LED 13w/ELEE HI/RETUBE ONLY	retube 4' LED	1,764	0.4	0.3	0.1	677	455	222
392.0	Theunis Dey elem	Classroom Classroom 2D	1	2L4' T8 28w/ELEE HI	trof acr	12	12	2L4' LED 13w/ELEE HI/RETUBE ONLY	retube 4' LED	1,764	0.8	0.5	0.2	1,355	910	445
393.0	Theunis Dey elem	Classroom Classroom 2C	1	2L4' T8 28w/ELEE HI	trof acr	12	12	2L4' LED 13w/ELEE HI/RETUBE ONLY	retube 4' LED	1,764	0.8	0.5	0.2	1,355	910	445
394.0	Theunis Dey elem	Classroom Classroom 2A	1	2L4' T8 28w/ELEE HI	trof acr	12	12	2L4' LED 13w/ELEE HI/RETUBE ONLY	retube 4' LED	1,764	0.8	0.5	0.2	1,355	910	445
395.0	Theunis Dey elem	Classroom Classroom 2B	1	2L4' T8 28w/ELEE HI	trof acr	12	12	2L4' LED 13w/ELEE HI/RETUBE ONLY	retube 4' LED	1,764	0.8	0.5	0.2	1,355	910	445
396.0	Theunis Dey elem	Hall Hall 2D To 2B	1	2L4' T8 28w/ELEE LO	trof acr	5	5	2L4' LED 13w/ELEE LO/RETUBE ONLY	retube 4' LED	3,620	0.2	0.1	0.1	760	507	253
397.0	Theunis Dey elem	Bath Bath Boys	1	2L4' T8 28w/ELEE HI	trof acr	2	2	2L4' LED 13w/ELEE HI/RETUBE ONLY	retube 4' LED	2,324	0.1	0.1	0.0	297	200	98
398.0	Theunis Dey elem	Bath Bath Boys	1	2L4' T8 28w/ELEE LO	trof acr	1	1	2L4' LED 13w/ELEE LO/RETUBE ONLY	retube 4' LED	2,324	0.0	0.0	0.0	98	65	33
399.0	Theunis Dey elem	Bath Bath Girls	1	2L4' T8 28w/ELEE HI	trof acr	1	1	2L4' LED 13w/ELEE HI/RETUBE ONLY	retube 4' LED	2,324	0.1	0.0	0.0	149	100	49
400.0	Theunis Dey elem	Bath Bath Girls	1	2L4' T8 28w/ELEE LO	trof acr	1	1	2L4' LED 13w/ELEE LO/RETUBE ONLY	retube 4' LED	2,324	0.0	0.0	0.0	98	65	33
401.0	Theunis Dey elem	Bath Bath Girls	1	2L2' T8 15w/EL	trof acr	1	1	2L2' LED 7w/ELEE HI/RETUBE ONLY	retube 2' LED	2,324	0.0	0.0	0.0	77	63	14
402.0	Theunis Dey elem	Hall Hall 2B To Main Lobby	1	2L2' T8 15w/EL	trof acr	2	2	2L2' LED 7w/ELEE/RETUBE ONLY	retube 2' LED	3,620	0.1	0.0	0.0	203	138	65
403.0	Theunis Dey elem	Hall Hall 2B To Main Lobby	1	2L4' T8 28w/ELEE LO	trof acr	3	3	2L4' LED 13w/ELEE LO/RETUBE ONLY	retube 4' LED	3,620	0.1	0.1	0.0	456	304	152
404.0	Theunis Dey elem	Lobby Lobby Main	1	2L2' T8 15w/EL	trof acr	6	6	2L2' LED 7w/ELEE HI/RETUBE ONLY	retube 2' LED	3,620	0.2	0.2	0.0	717	586	130
405.0	Theunis Dey elem	Office Open Office Open Main	1	2L4' T8 28w/ELEE HI	trof parabolic	6	6	2L4' LED 13w/ELEE HI/RETUBE ONLY	retube 4' LED	1,904	0.4	0.3	0.1	731	491	240
406.0	Theunis Dey elem	Office Office Copy	1	2L4' T8 28w/ELEE HI	trof acr	2	2	2L4' LED 13w/ELEE HI/RETUBE ONLY	retube 4' LED	1,624	0.1	0.1	0.0	208	140	68
407.0	Theunis Dey elem	Office Office Principal	1	2L4' T8 28w/ELEE HI	trof acr	4	4	2L4' LED 13w/ELEE HI/RETUBE ONLY	retube 4' LED	1,624	0.3	0.2	0.1	416	279	136
408.0	Theunis Dey elem	Office Office Nurse	1	2L4' T8 28w/ELEE HI-8'	wrap	2	2	2L4' LED 13w/ELEE HI/RETUBE ONLY	retube 4' LED	1,624	0.1	0.1	0.0	208	140	68
409.0	Theunis Dey elem	Office Office Nurse	1	1L4' T8 28w/ELEE HI	wrap	2	2	1L4' LED 13w/ELEE HI/RETUBE ONLY	retube 4' LED	1,624	0.1	0.0	0.0	107	70	37
410.0	Theunis Dey elem	Bath Bath Nurse	1	13W CF HARDWIRED	can rec hor 6"	1		NO RETRO	no change	2,324	0.0	0.0		35	35	
411.0	Theunis Dey elem	Office Office 22	1	1L4' T8 28w/ELEE HI	wrap	1	1	1L4' LED 13w/ELEE HI/RETUBE ONLY	retube 4' LED	1,624	0.0	0.0	0.0	54	35	19
412.0	Theunis Dey elem	Office Office 22	1	1L4' T8 28w/ELEE HI	wrap	2	2	1L4' LED 13w/ELEE HI/RETUBE ONLY	retube 4' LED	1,624	0.1	0.0	0.0	107	70	37
413.0	Theunis Dey elem	Lounge Lounge Staff	1	2L4' T8 28w/ELEE HI-8'	wrap	4	4	2L4' LED 13w/ELEE HI/RETUBE ONLY	retube 4' LED	1,764	0.3	0.2	0.1	452	303	148
414.0	Theunis Dey elem	Lounge Lounge Staff	1	1L4' T8 28w/ELEE HI	wrap	2	2	1L4' LED 13w/ELEE HI/RETUBE ONLY	retube 4' LED	1,764	0.1	0.0	0.0	116	76	41
415.0	Theunis Dey elem	Storage Storage Staff Lounge	1	2L2' T8 15w/EL LO	wrap	1	1	2L2' LED 7w/ELEE LO/RETUBE ONLY	retube 2' LED	500	0.0	0.0	0.0	12	9	4
416.0	Theunis Dey elem	Bath Bath Women	1	2L2' T8 15w/EL	trof acr	3	3	2L2' LED 7w/ELEE HI/RETUBE ONLY	retube 2' LED	2,324	0.1	0.1	0.0	230	188	42
417.0	Theunis Dey elem	Bath Bath Women	1	3x13W CF HARDWIRED	drum	1		NO RETRO	no change	2,324	0.0	0.0		105	105	
418.0	Theunis Dey elem	Closet Closet Clean	1	2L4' T8 28w/ELEE LO	trof acr	1	1	2L4' LED 13w/ELEE LO/RETUBE ONLY	retube 4' LED	350	0.0	0.0	0.0	15	10	5
419.0	Theunis Dey elem	Bath Bath Boys	1	2L2' T8 15w/EL	trof acr	4	4	2L2' LED 7w/ELEE HI/RETUBE ONLY	retube 2' LED	2,324	0.1	0.1	0.0	307	251	56
420.0	Theunis Dey elem	Storage Storage Gym	1	1L4' T8 28w/ELEE HI	wrap	1	1	1L4' LED 13w/ELEE HI/RETUBE ONLY	retube 4' LED	2,120	0.0	0.0	0.0	70	46	24
421.0	Theunis Dey elem	Storage Storage Gym	1	2L4' T8 28w/ELEE HI-8'	wrap	1	1	2L4' LED 13w/ELEE HI/RETUBE ONLY	retube 4' LED	2,120	0.1	0.0	0.0	136	91	45
422.0	Theunis Dey elem	Storage Storage Gym	1	1L4' T8 28w/ELEE LO	wrap	1	1	1L4' LED 13w/ELEE LO/RETUBE ONLY	retube 4' LED	2,120	0.0	0.0	0.0	47	30	17
423.0	Theunis Dey elem	Storage Storage Gym	1	2L4' T8 28w/ELEE LO	strip	1	1	2L4' LED 13w/ELEE LO/RETUBE ONLY	retube 4' LED	2,120	0.0	0.0	0.0	89	59	30
424.0	Theunis Dey elem	Classroom Classroom 13	1	2L4' T8 28w/ELEE HI-8'	wrap	4	4	2L4' LED 13w/ELEE HI/RETUBE ONLY	retube 4' LED	1,764	0.3	0.2	0.1	452	303	148
425.0	Theunis Dey elem	Classroom Classroom 13	1	1L4' T8 28w/ELEE HI	wrap	2	2	1L4' LED 13w/ELEE HI/RETUBE ONLY	retube 4' LED	1,764	0.1	0.0	0.0	116	76	41
426.0	Theunis Dey elem	Classroom Classroom 13	1	2L4' T8 28w/ELEE HI-8'	wrap	2	2	2L4' LED 13w/ELEE HI/RETUBE ONLY	retube 4' LED	1,764	0.1	0.1	0.0	226	152	74
427.0	Theunis Dey elem	Classroom Classroom 13	1	1L4' T8 28w/ELEE HI	wrap	1	1	1L4' LED 13w/ELEE HI/RETUBE ONLY	retube 4' LED	1,764	0.0	0.0	0.0	58	38	20
428.0	Theunis Dey elem	Bath Bath 13	1	2L2' T8 15w/EL LO	wrap	1	1	2L2' LED 7w/ELEE LO/RETUBE ONLY	retube 2' LED	2,324	0.0	0.0	0.0	56	40	16
429.0	Theunis Dey elem	Classroom Classroom 14	1	2L4' T8 28w/ELEE HI-8'	wrap	4	4	2L4' LED 13w/ELEE HI/RETUBE ONLY	retube 4' LED	1,764	0.3	0.2	0.1	452	303	148



Wayne NJ

Phase 2 Lighting Scope of Work

Line	Building Name	Location	FI	Pre Fixture Description	Pre Fixture Style	Pre Qty	Pre Qty In Scope	Post Fixture Description	Post Fixture Style	Annual Hours	Pre kW	Post kW	kW Saved Coin.	Pre kWh	Post kWh	kWh Saved
430.0	Theunis Dey elem	Classroom Classroom 14	1	1L4' T8 28w/ELEE HI	wrap	2	2	1L4' LED 13w/ELEE HI/RETUBE ONLY	retube 4' LED	1,764	0.1	0.0	0.0	116	76	41
431.0	Theunis Dey elem	Classroom Classroom 14	1	2L4' T8 28w/ELEE HI-8'	wrap	2	2	2L4' LED 13w/ELEE HI/RETUBE ONLY	retube 4' LED	1,764	0.1	0.1	0.0	226	152	74
432.0	Theunis Dey elem	Classroom Classroom 14	1	1L4' T8 28w/ELEE HI	wrap	1	1	1L4' LED 13w/ELEE HI/RETUBE ONLY	retube 4' LED	1,764	0.0	0.0	0.0	58	38	20
433.0	Theunis Dey elem	Bath Bath 14	1	2L2' T8 15w/EL LO	wrap	1	1	2L2' LED 7w/ELEE LO/RETUBE ONLY	retube 2' LED	2,324	0.0	0.0	0.0	56	40	16
434.0	Theunis Dey elem	Classroom Classroom 15	1	2L4' T8 28w/ELEE HI-8'	wrap	6	6	2L4' LED 13w/ELEE HI/RETUBE ONLY	retube 4' LED	1,764	0.4	0.3	0.1	677	455	222
435.0	Theunis Dey elem	Classroom Classroom 15	1	1L4' T8 28w/ELEE HI	wrap	3	3	1L4' LED 13w/ELEE HI/RETUBE ONLY	retube 4' LED	1,764	0.1	0.1	0.0	175	114	61
436.0	Theunis Dey elem	Classroom Classroom 15	1	2L4' T8 28w/ELEE HI-8'	wrap	3	3	2L4' LED 13w/ELEE HI/RETUBE ONLY	retube 4' LED	1,764	0.2	0.1	0.1	339	228	111
437.0	Theunis Dey elem	Classroom Classroom 15	1	1L4' T8 28w/ELEE HI	wrap	3	3	1L4' LED 13w/ELEE HI/RETUBE ONLY	retube 4' LED	1,764	0.1	0.1	0.0	175	114	61
438.0	Theunis Dey elem	Bath Bath 15	1	2L2' T8 15w/EL LO	wrap	1	1	2L2' LED 7w/ELEE LO/RETUBE ONLY	retube 2' LED	2,324	0.0	0.0	0.0	56	40	16
439.0	Theunis Dey elem	Gym Gym 16 Multipurpose	1	4L4' T8 28w/ELEE LO-8'	box acr 1' wide	6	6	4L4' LED 13w/ELEE LO/RETUBE ONLY	retube 4' LED	2,044	0.5	0.3	0.1	1,018	687	331
440.0	Theunis Dey elem	Classroom Classroom 16	1	1L4' T8 28w/ELEE HI	wrap	3	3	1L4' LED 13w/ELEE HI/RETUBE ONLY	retube 4' LED	1,764	0.1	0.1	0.0	175	114	61
441.0	Theunis Dey elem	Classroom Classroom 16	1	2L4' T8 28w/ELEE HI-8'	wrap	3	3	2L4' LED 13w/ELEE HI/RETUBE ONLY	retube 4' LED	1,764	0.2	0.1	0.1	339	228	111
442.0	Theunis Dey elem	Classroom Classroom 16	1	1L4' T8 28w/ELEE HI	wrap	3	3	1L4' LED 13w/ELEE HI/RETUBE ONLY	retube 4' LED	1,764	0.1	0.1	0.0	175	114	61
443.0	Theunis Dey elem	Bath Bath 16	1	2L2' T8 15w/EL LO	wrap	1	1	2L2' LED 7w/ELEE LO/RETUBE ONLY	retube 2' LED	2,324	0.0	0.0	0.0	56	40	16
444.0	Theunis Dey elem	Closet Closet Electrical	1	23W CF SCREW IN	jar	1		NO RETRO	no change	350	0.0	0.0		9	9	
445.0	Theunis Dey elem	Hall Hall By 17	1	2L4' T8 28w/ELEE HI-8'	wrap	2	2	2L4' LED 13w/ELEE HI/RETUBE ONLY	retube 4' LED	2,534	0.1	0.1	0.0	324	218	106
446.0	Theunis Dey elem	Hall Hall By 17	1	2L2' T8 15w/EL LO	wrap	1	1	2L2' LED 7w/ELEE LO/RETUBE ONLY	retube 2' LED	2,534	0.0	0.0	0.0	61	43	18
447.0	Theunis Dey elem	Classroom Classroom 17	1	2L4' T8 28w/ELEE HI-8'	wrap	6	6	2L4' LED 13w/ELEE HI/RETUBE ONLY	retube 4' LED	1,764	0.4	0.3	0.1	677	455	222
448.0	Theunis Dey elem	Classroom Classroom 17	1	1L4' T8 28w/ELEE HI	wrap	3	3	1L4' LED 13w/ELEE HI/RETUBE ONLY	retube 4' LED	1,764	0.1	0.1	0.0	175	114	61
449.0	Theunis Dey elem	Classroom Classroom 17	1	2L4' T8 28w/ELEE HI-8'	wrap	3	3	2L4' LED 13w/ELEE HI/RETUBE ONLY	retube 4' LED	1,764	0.2	0.1	0.1	339	228	111
450.0	Theunis Dey elem	Classroom Classroom 17	1	1L4' T8 28w/ELEE HI	wrap	3	3	1L4' LED 13w/ELEE HI/RETUBE ONLY	retube 4' LED	1,764	0.1	0.1	0.0	175	114	61
451.0	Theunis Dey elem	Bath Bath 17	1	2L2' T8 15w/EL LO	wrap	1	1	2L2' LED 7w/ELEE LO/RETUBE ONLY	retube 2' LED	2,324	0.0	0.0	0.0	56	40	16
452.0	Theunis Dey elem	Classroom Classroom 18	1	2L4' T8 28w/ELEE HI-8'	wrap	4	4	2L4' LED 13w/ELEE HI/RETUBE ONLY	retube 4' LED	1,764	0.3	0.2	0.1	452	303	148
453.0	Theunis Dey elem	Classroom Classroom 18	1	1L4' T8 28w/ELEE HI	wrap	2	2	1L4' LED 13w/ELEE HI/RETUBE ONLY	retube 4' LED	1,764	0.1	0.0	0.0	116	76	41
454.0	Theunis Dey elem	Classroom Classroom 18	1	2L4' T8 28w/ELEE HI-8'	wrap	2	2	2L4' LED 13w/ELEE HI/RETUBE ONLY	retube 4' LED	1,764	0.1	0.1	0.0	226	152	74
455.0	Theunis Dey elem	Classroom Classroom 18	1	1L4' T8 28w/ELEE HI	wrap	1	1	1L4' LED 13w/ELEE HI/RETUBE ONLY	retube 4' LED	1,764	0.0	0.0	0.0	58	38	20
456.0	Theunis Dey elem	Bath Bath 18	1	2L2' T8 15w/EL LO	wrap	1	1	2L2' LED 7w/ELEE LO/RETUBE ONLY	retube 2' LED	2,324	0.0	0.0	0.0	56	40	16
457.0	Theunis Dey elem	Classroom Classroom 19	1	2L4' T8 28w/ELEE HI-8'	wrap	4	4	2L4' LED 13w/ELEE HI/RETUBE ONLY	retube 4' LED	1,764	0.3	0.2	0.1	452	303	148
458.0	Theunis Dey elem	Classroom Classroom 19	1	1L4' T8 28w/ELEE HI	wrap	2	2	1L4' LED 13w/ELEE HI/RETUBE ONLY	retube 4' LED	1,764	0.1	0.0	0.0	116	76	41
459.0	Theunis Dey elem	Classroom Classroom 19	1	2L4' T8 28w/ELEE HI-8'	wrap	2	2	2L4' LED 13w/ELEE HI/RETUBE ONLY	retube 4' LED	1,764	0.1	0.1	0.0	226	152	74
460.0	Theunis Dey elem	Classroom Classroom 19	1	1L4' T8 28w/ELEE HI	wrap	1	1	1L4' LED 13w/ELEE HI/RETUBE ONLY	retube 4' LED	1,764	0.0	0.0	0.0	58	38	20
461.0	Theunis Dey elem	Bath Bath 19	1	2L2' T8 15w/EL LO	wrap	1	1	2L2' LED 7w/ELEE LO/RETUBE ONLY	retube 2' LED	2,324	0.0	0.0	0.0	56	40	16
462.0	Theunis Dey elem	Classroom Classroom 20	1	2L4' T8 28w/ELEE HI-8'	wrap	4	4	2L4' LED 13w/ELEE HI/RETUBE ONLY	retube 4' LED	1,764	0.3	0.2	0.1	452	303	148
463.0	Theunis Dey elem	Classroom Classroom 20	1	1L4' T8 28w/ELEE HI	wrap	2	2	1L4' LED 13w/ELEE HI/RETUBE ONLY	retube 4' LED	1,764	0.1	0.0	0.0	116	76	41
464.0	Theunis Dey elem	Classroom Classroom 20	1	2L4' T8 28w/ELEE HI-8'	wrap	2	2	2L4' LED 13w/ELEE HI/RETUBE ONLY	retube 4' LED	1,764	0.1	0.1	0.0	226	152	74
465.0	Theunis Dey elem	Classroom Classroom 20	1	1L4' T8 28w/ELEE HI	wrap	1	1	1L4' LED 13w/ELEE HI/RETUBE ONLY	retube 4' LED	1,764	0.0	0.0	0.0	58	38	20
466.0	Theunis Dey elem	Bath Bath 20	1	2L2' T8 15w/EL LO	wrap	1	1	2L2' LED 7w/ELEE LO/RETUBE ONLY	retube 2' LED	2,324	0.0	0.0	0.0	56	40	16
467.0	Theunis Dey elem	Classroom Classroom 21	1	2L4' T8 28w/ELEE HI-8'	wrap	4	4	2L4' LED 13w/ELEE HI/RETUBE ONLY	retube 4' LED	1,764	0.3	0.2	0.1	452	303	148
468.0	Theunis Dey elem	Classroom Classroom 21	1	1L4' T8 28w/ELEE HI	wrap	2	2	1L4' LED 13w/ELEE HI/RETUBE ONLY	retube 4' LED	1,764	0.1	0.0	0.0	116	76	41
469.0	Theunis Dey elem	Classroom Classroom 21	1	2L4' T8 28w/ELEE HI-8'	wrap	2	2	2L4' LED 13w/ELEE HI/RETUBE ONLY	retube 4' LED	1,764	0.1	0.1	0.0	226	152	74
470.0	Theunis Dey elem	Classroom Classroom 21	1	1L4' T8 28w/ELEE HI	wrap	1	1	1L4' LED 13w/ELEE HI/RETUBE ONLY	retube 4' LED	1,764	0.0	0.0	0.0	58	38	20
471.0	Theunis Dey elem	Bath Bath 21	1	2L2' T8 15w/EL LO	wrap	1	1	2L2' LED 7w/ELEE LO/RETUBE ONLY	retube 2' LED	2,324	0.0	0.0	0.0	56	40	16
472.0	Theunis Dey elem	Gym Gym Main	1	2L4' T8 28w/ELEE LO	box acr 1' wide	48	48	2L4' LED 13w/ELEE LO/RETUBE ONLY	retube 4' LED	2,920	2.0	1.3	0.7	5,887	3,924	1,962
473.0	Theunis Dey elem	Office Office Custodial	1	3L4' T8 28w/ELEE LO	industrial	3	3	3L4' LED 13w/ELEE LO/RETUBE ONLY	retube 4' LED	1,624	0.2	0.1	0.1	307	205	102
474.0	Theunis Dey elem	Office Office Custodial	1	3L4' T8 28w/ELEE LO	industrial	1	1	3L4' LED 13w/ELEE LO/RETUBE ONLY	retube 4' LED	1,624	0.1	0.0	0.0	102	68	34
475.0	Theunis Dey elem	Mechanical Mechanical Boiler	1	2L4' T8 28w/ELEE LO	strip	7	7	2L4' LED 13w/ELEE LO/RETUBE ONLY	retube 4' LED	500	0.3	0.2	0.1	147	98	49
476.0	Theunis Dey elem	Hall Hall Custodial Office To Main Lobby	1	2L2' T8 15w/EL	trof acr	8	8	2L2' LED 7w/ELEE/RETUBE ONLY	retube 2' LED	3,620	0.2	0.2	0.1	811	550	261
477.0	Theunis Dey elem	Kitchen Kitchen Prep Area	1	2L4' T8 28w/ELEE LO	wrap	29	29	2L4' LED 13w/ELEE LO/RETUBE ONLY	retube 4' LED	1,920	1.2	0.8	0.4	2,339	1,559	780
478.0	Theunis Dey elem	Kitchen Kitchen Prep Area	1	23W CF SCREW IN	keyless	1		NO RETRO	no change	1,920	0.0	0.0		48	48	
479.0	Theunis Dey elem	Kitchen Kitchen Prep Area	1	2x13W CF HARDWIRED	vanity	1		NO RETRO	no change	1,920	0.0	0.0		58	58	
480.0	Theunis Dey elem	Kitchen Kitchen Grease Hood	1	23W CF SCREW IN	jar	2		NO RETRO	no change	1,920	0.1	0.1		96	96	



Line	Building Name	Location	FI	Pre Fixture Description	Pre Fixture Style	Pre Qty	Pre Qty In Scope	Post Fixture Description	Post Fixture Style	Annual Hours	Pre kW	Post kW	kW Saved Coin.	Pre kWh	Post kWh	kWh Saved
481.0	Theunis Dey elem	Storage Storage Dry Goods	1	2L2' T8 15w/EL	box acrylic	4	4	2L2' LED 7w/ELEE/RETUBE ONLY	retube 2' LED	1,484	0.1	0.1	0.0	166	113	53
482.0	Theunis Dey elem	Office Office By Nurse	1	1L4' T8 28w/ELEE HI	wrap	2	2	1L4' LED 13w/ELEE HI/RETUBE ONLY	retube 4' LED	1,624	0.1	0.0	0.0	107	70	37
483.0	Theunis Dey elem	Cafeteria Cafeteria Multipurpose	1	46 WATT LED	lowbay	17		NO RETRO	no change already LED	2,720	0.8	0.8		2,127	2,127	
484.0	Theunis Dey elem	Storage Storage Tables	1	23W CF SCREW IN	keyless	2		NO RETRO	no change	500	0.1	0.1		25	25	
485.0	Theunis Dey elem	Classroom Classroom 12	1	2L4' T8 28w/ELEE HI-8'	wrap	4	4	2L4' LED 13w/ELEE HI/RETUBE ONLY	retube 4' LED	1,764	0.3	0.2	0.1	452	303	148
486.0	Theunis Dey elem	Classroom Classroom 12	1	1L4' T8 28w/ELEE HI	wrap	2	2	1L4' LED 13w/ELEE HI/RETUBE ONLY	retube 4' LED	1,764	0.1	0.0	0.0	116	76	41
487.0	Theunis Dey elem	Classroom Classroom 12	1	2L4' T8 28w/ELEE HI-8'	wrap	2	2	2L4' LED 13w/ELEE HI/RETUBE ONLY	retube 4' LED	1,764	0.1	0.1	0.0	226	152	74
488.0	Theunis Dey elem	Classroom Classroom 12	1	1L4' T8 28w/ELEE HI	wrap	1	1	1L4' LED 13w/ELEE HI/RETUBE ONLY	retube 4' LED	1,764	0.0	0.0	0.0	58	38	20
489.0	Theunis Dey elem	Bath Bath 12	1	2L2' T8 15w/EL LO	wrap	1	1	2L2' LED 7w/ELEE LO/RETUBE ONLY	retube 2' LED	2,324	0.0	0.0	0.0	56	40	16
490.0	Theunis Dey elem	Classroom Classroom 11	1	2L4' T8 28w/ELEE HI-8'	wrap	4	4	2L4' LED 13w/ELEE HI/RETUBE ONLY	retube 4' LED	1,764	0.3	0.2	0.1	452	303	148
491.0	Theunis Dey elem	Classroom Classroom 11	1	1L4' T8 28w/ELEE HI	wrap	2	2	1L4' LED 13w/ELEE HI/RETUBE ONLY	retube 4' LED	1,764	0.1	0.0	0.0	116	76	41
492.0	Theunis Dey elem	Classroom Classroom 11	1	2L4' T8 28w/ELEE HI-8'	wrap	2	2	2L4' LED 13w/ELEE HI/RETUBE ONLY	retube 4' LED	1,764	0.1	0.1	0.0	226	152	74
493.0	Theunis Dey elem	Classroom Classroom 11	1	1L4' T8 28w/ELEE HI	wrap	1	1	1L4' LED 13w/ELEE HI/RETUBE ONLY	retube 4' LED	1,764	0.0	0.0	0.0	58	38	20
494.0	Theunis Dey elem	Bath Bath 11	1	2L2' T8 15w/EL LO	wrap	1	1	2L2' LED 7w/ELEE LO/RETUBE ONLY	retube 2' LED	2,324	0.0	0.0	0.0	56	40	16
495.0	Theunis Dey elem	Classroom Classroom 10	1	2L4' T8 28w/ELEE HI-8'	wrap	4	4	2L4' LED 13w/ELEE HI/RETUBE ONLY	retube 4' LED	1,764	0.3	0.2	0.1	452	303	148
496.0	Theunis Dey elem	Classroom Classroom 10	1	1L4' T8 28w/ELEE HI	wrap	2	2	1L4' LED 13w/ELEE HI/RETUBE ONLY	retube 4' LED	1,764	0.1	0.0	0.0	116	76	41
497.0	Theunis Dey elem	Classroom Classroom 10	1	2L4' T8 28w/ELEE HI-8'	wrap	2	2	2L4' LED 13w/ELEE HI/RETUBE ONLY	retube 4' LED	1,764	0.1	0.1	0.0	226	152	74
498.0	Theunis Dey elem	Classroom Classroom 10	1	1L4' T8 28w/ELEE HI	wrap	1	1	1L4' LED 13w/ELEE HI/RETUBE ONLY	retube 4' LED	1,764	0.0	0.0	0.0	58	38	20
499.0	Theunis Dey elem	Bath Bath 10	1	2L2' T8 15w/EL LO	wrap	1	1	2L2' LED 7w/ELEE LO/RETUBE ONLY	retube 2' LED	2,324	0.0	0.0	0.0	56	40	16
500.0	Theunis Dey elem	Classroom Classroom 9	1	2L4' T8 28w/ELEE HI-8'	wrap	4	4	2L4' LED 13w/ELEE HI/RETUBE ONLY	retube 4' LED	1,764	0.3	0.2	0.1	452	303	148
501.0	Theunis Dey elem	Classroom Classroom 9	1	1L4' T8 28w/ELEE HI	wrap	2	2	1L4' LED 13w/ELEE HI/RETUBE ONLY	retube 4' LED	1,764	0.1	0.0	0.0	116	76	41
502.0	Theunis Dey elem	Classroom Classroom 9	1	2L4' T8 28w/ELEE HI-8'	wrap	2	2	2L4' LED 13w/ELEE HI/RETUBE ONLY	retube 4' LED	1,764	0.1	0.1	0.0	226	152	74
503.0	Theunis Dey elem	Classroom Classroom 9	1	1L4' T8 28w/ELEE HI	wrap	1	1	1L4' LED 13w/ELEE HI/RETUBE ONLY	retube 4' LED	1,764	0.0	0.0	0.0	58	38	20
504.0	Theunis Dey elem	Classroom Classroom 8	1	2L4' T8 28w/ELEE HI-8'	wrap	4	4	2L4' LED 13w/ELEE HI/RETUBE ONLY	retube 4' LED	1,764	0.3	0.2	0.1	452	303	148
505.0	Theunis Dey elem	Classroom Classroom 8	1	1L4' T8 28w/ELEE HI	wrap	2	2	1L4' LED 13w/ELEE HI/RETUBE ONLY	retube 4' LED	1,764	0.1	0.0	0.0	116	76	41
506.0	Theunis Dey elem	Classroom Classroom 8	1	2L4' T8 28w/ELEE HI-8'	wrap	2	2	2L4' LED 13w/ELEE HI/RETUBE ONLY	retube 4' LED	1,764	0.1	0.1	0.0	226	152	74
507.0	Theunis Dey elem	Classroom Classroom 8	1	1L4' T8 28w/ELEE HI	wrap	1	1	1L4' LED 13w/ELEE HI/RETUBE ONLY	retube 4' LED	1,764	0.0	0.0	0.0	58	38	20
508.0	Theunis Dey elem	Classroom Classroom 7	1	2L4' T8 28w/ELEE HI-8'	wrap	4	4	2L4' LED 13w/ELEE HI/RETUBE ONLY	retube 4' LED	1,764	0.3	0.2	0.1	452	303	148
509.0	Theunis Dey elem	Classroom Classroom 7	1	1L4' T8 28w/ELEE HI	wrap	2	2	1L4' LED 13w/ELEE HI/RETUBE ONLY	retube 4' LED	1,764	0.1	0.0	0.0	116	76	41
510.0	Theunis Dey elem	Classroom Classroom 7	1	2L4' T8 28w/ELEE HI-8'	wrap	2	2	2L4' LED 13w/ELEE HI/RETUBE ONLY	retube 4' LED	1,764	0.1	0.1	0.0	226	152	74
511.0	Theunis Dey elem	Classroom Classroom 7	1	1L4' T8 28w/ELEE HI	wrap	1	1	1L4' LED 13w/ELEE HI/RETUBE ONLY	retube 4' LED	1,764	0.0	0.0	0.0	58	38	20
512.0	Theunis Dey elem	Classroom Classroom 7A	1	2L4' T8 28w/ELEE HI	trof acrylic dbl switch	6	6	2L4' LED 13w/ELEE HI/RETUBE ONLY	retube 4' LED	1,764	0.4	0.3	0.1	677	455	222
513.0	Theunis Dey elem	Classroom Classroom 7B	1	2L4' T8 28w/ELEE HI	trof acrylic dbl switch	6	6	2L4' LED 13w/ELEE HI/RETUBE ONLY	retube 4' LED	1,764	0.4	0.3	0.1	677	455	222
514.0	Theunis Dey elem	Library Library	1	2L4' T8 28w/ELEE LO	trof para 1' wide	30	30	2L4' LED 13w/ELEE LO/RETUBE ONLY	retube 4' LED	2,520	1.3	0.8	0.4	3,175	2,117	1,058
515.0	Theunis Dey elem	Library Library	1	1L4' T8 28w/ELEE HI	wrap	10	10	1L4' LED 13w/ELEE HI/RETUBE ONLY	retube 4' LED	2,520	0.3	0.2	0.1	832	542	290
516.0	Theunis Dey elem	Library Library	1	2L4' T8 28w/ELEE HI	wrap	4	4	2L4' LED 13w/ELEE HI/RETUBE ONLY	retube 4' LED	2,520	0.3	0.2	0.1	645	433	212
517.0	Theunis Dey elem	Office Office Library	1	2L4' T8 28w/ELEE HI	trof acr	4	4	2L4' LED 13w/ELEE HI/RETUBE ONLY	retube 4' LED	1,624	0.3	0.2	0.1	416	279	136
518.0	Theunis Dey elem	Storage Storage It	1	2L4' T8 28w/ELEE HI	wrap	2	2	2L4' LED 13w/ELEE HI/RETUBE ONLY	retube 4' LED	1,484	0.1	0.1	0.0	190	128	62
519.0	Theunis Dey elem	Bath Bath Boys	1	3x13W CF HARDWIRED	drum	1		NO RETRO	no change	2,324	0.0	0.0		105	105	
520.0	Theunis Dey elem	Bath Bath Boys	1	2L2' T8 15w/EL	trof acr	2	2	2L2' LED 7w/ELEE HI/RETUBE ONLY	retube 2' LED	2,324	0.1	0.1	0.0	153	125	28
521.0	Theunis Dey elem	Bath Bath Staff	1	3x13W CF HARDWIRED	drum	2		NO RETRO	no change	2,324	0.1	0.1		209	209	
522.0	Theunis Dey elem	Stage Stage	1	4L4' T8 28w/ELEE HI	strip	4	4	2L4' LED 13w/ELEE HI/RETUBE ONLY	retube 4' LED	1,624	0.5	0.3	0.1	818	559	260
523.0	Theunis Dey elem	Mechanical Mechanical Air Handler	1	23W CF SCREW IN	jar	1		NO RETRO	no change	350	0.0	0.0		9	9	
524.0	Theunis Dey elem	Bath Bath Girls	1	3x13W CF HARDWIRED	drum	1		NO RETRO	no change	2,324	0.0	0.0		105	105	
525.0	Theunis Dey elem	Bath Bath Girls	1	2L2' T8 15w/EL	trof acr	2	2	2L2' LED 7w/ELEE HI/RETUBE ONLY	retube 2' LED	2,324	0.1	0.1	0.0	153	125	28
526.0	Theunis Dey elem	Hall Hall 8 To 9	1	2L2' T8 15w/EL	trof acr	3	3	2L2' LED 7w/ELEE/RETUBE ONLY	retube 2' LED	3,620	0.1	0.1	0.0	304	206	98
527.0	Theunis Dey elem	Hall Hall 8 To 9	1	1L4' T8 28w/ELEE HI	wrap	1	1	1L4' LED 13w/ELEE HI/RETUBE ONLY	retube 4' LED	3,620	0.0	0.0	0.0	119	78	42
528.0	Theunis Dey elem	Classroom Classroom 6B	1	2L4' T8 28w/ELEE HI	trof acrylic dbl switch	6	6	2L4' LED 13w/ELEE HI/RETUBE ONLY	retube 4' LED	1,764	0.4	0.3	0.1	677	455	222
529.0	Theunis Dey elem	Classroom Classroom 6A	1	2L4' T8 28w/ELEE HI	trof acrylic dbl switch	6	6	2L4' LED 13w/ELEE HI/RETUBE ONLY	retube 4' LED	1,764	0.4	0.3	0.1	677	455	222
530.0	Theunis Dey elem	Classroom Classroom 6	1	2L4' T8 28w/ELEE HI-8'	wrap	4	4	2L4' LED 13w/ELEE HI/RETUBE ONLY	retube 4' LED	1,764	0.3	0.2	0.1	452	303	148
531.0	Theunis Dey elem	Classroom Classroom 6	1	1L4' T8 28w/ELEE HI	wrap	2	2	1L4' LED 13w/ELEE HI/RETUBE ONLY	retube 4' LED	1,764	0.1	0.0	0.0	116	76	41



Line	Building Name	Location	FI	Pre Fixture Description	Pre Fixture Style	Pre Qty	Pre Qty In Scope	Post Fixture Description	Post Fixture Style	Annual Hours	Pre kW	Post kW	kW Saved Coin.	Pre kWh	Post kWh	kWh Saved
532.0	Theunis Dey elem	Classroom Classroom 6	1	2L4' T8 28w/ELEE HI-8'	wrap	2	2	2L4' LED 13w/ELEE HI/RETUBE ONLY	retube 4' LED	1,764	0.1	0.1	0.0	226	152	74
533.0	Theunis Dey elem	Classroom Classroom 6	1	1L4' T8 28w/ELEE HI	wrap	1	1	1L4' LED 13w/ELEE HI/RETUBE ONLY	retube 4' LED	1,764	0.0	0.0	0.0	58	38	20
534.0	Theunis Dey elem	Classroom Classroom 5	1	2L4' T8 28w/ELEE HI-8'	wrap	4	4	2L4' LED 13w/ELEE HI/RETUBE ONLY	retube 4' LED	1,764	0.3	0.2	0.1	452	303	148
535.0	Theunis Dey elem	Classroom Classroom 5	1	1L4' T8 28w/ELEE HI	wrap	2	2	1L4' LED 13w/ELEE HI/RETUBE ONLY	retube 4' LED	1,764	0.1	0.0	0.0	116	76	41
536.0	Theunis Dey elem	Classroom Classroom 5	1	2L4' T8 28w/ELEE HI-8'	wrap	2	2	2L4' LED 13w/ELEE HI/RETUBE ONLY	retube 4' LED	1,764	0.1	0.1	0.0	226	152	74
537.0	Theunis Dey elem	Classroom Classroom 5	1	1L4' T8 28w/ELEE HI	wrap	1	1	1L4' LED 13w/ELEE HI/RETUBE ONLY	retube 4' LED	1,764	0.0	0.0	0.0	58	38	20
538.0	Theunis Dey elem	Classroom Classroom 4	1	2L4' T8 28w/ELEE HI-8'	wrap	4	4	2L4' LED 13w/ELEE HI/RETUBE ONLY	retube 4' LED	1,764	0.3	0.2	0.1	452	303	148
539.0	Theunis Dey elem	Classroom Classroom 4	1	1L4' T8 28w/ELEE HI	wrap	2	2	1L4' LED 13w/ELEE HI/RETUBE ONLY	retube 4' LED	1,764	0.1	0.0	0.0	116	76	41
540.0	Theunis Dey elem	Classroom Classroom 4	1	2L4' T8 28w/ELEE HI-8'	wrap	2	2	2L4' LED 13w/ELEE HI/RETUBE ONLY	retube 4' LED	1,764	0.1	0.1	0.0	226	152	74
541.0	Theunis Dey elem	Classroom Classroom 4	1	1L4' T8 28w/ELEE HI	wrap	1	1	1L4' LED 13w/ELEE HI/RETUBE ONLY	retube 4' LED	1,764	0.0	0.0	0.0	58	38	20
542.0	Theunis Dey elem	Classroom Classroom 3	1	2L4' T8 28w/ELEE HI-8'	wrap	4	4	2L4' LED 13w/ELEE HI/RETUBE ONLY	retube 4' LED	1,764	0.3	0.2	0.1	452	303	148
543.0	Theunis Dey elem	Classroom Classroom 3	1	1L4' T8 28w/ELEE HI	wrap	2	2	1L4' LED 13w/ELEE HI/RETUBE ONLY	retube 4' LED	1,764	0.1	0.0	0.0	116	76	41
544.0	Theunis Dey elem	Classroom Classroom 3	1	2L4' T8 28w/ELEE HI-8'	wrap	2	2	2L4' LED 13w/ELEE HI/RETUBE ONLY	retube 4' LED	1,764	0.1	0.1	0.0	226	152	74
545.0	Theunis Dey elem	Classroom Classroom 3	1	1L4' T8 28w/ELEE HI	wrap	1	1	1L4' LED 13w/ELEE HI/RETUBE ONLY	retube 4' LED	1,764	0.0	0.0	0.0	58	38	20
546.0	Theunis Dey elem	Bath Bath 3	1	2L2' T8 15w/EL LO	wrap	1	1	2L2' LED 7w/ELEE LO/RETUBE ONLY	retube 2' LED	2,324	0.0	0.0	0.0	56	40	16
547.0	Theunis Dey elem	Classroom Classroom 2	1	2L4' T8 28w/ELEE HI-8'	wrap	4	4	2L4' LED 13w/ELEE HI/RETUBE ONLY	retube 4' LED	1,764	0.3	0.2	0.1	452	303	148
548.0	Theunis Dey elem	Classroom Classroom 2	1	1L4' T8 28w/ELEE HI	wrap	2	2	1L4' LED 13w/ELEE HI/RETUBE ONLY	retube 4' LED	1,764	0.1	0.0	0.0	116	76	41
549.0	Theunis Dey elem	Classroom Classroom 2	1	2L4' T8 28w/ELEE HI-8'	wrap	2	2	2L4' LED 13w/ELEE HI/RETUBE ONLY	retube 4' LED	1,764	0.1	0.1	0.0	226	152	74
550.0	Theunis Dey elem	Classroom Classroom 2	1	1L4' T8 28w/ELEE HI	wrap	1	1	1L4' LED 13w/ELEE HI/RETUBE ONLY	retube 4' LED	1,764	0.0	0.0	0.0	58	38	20
551.0	Theunis Dey elem	Bath Bath 2	1	2L2' T8 15w/EL LO	wrap	1	1	2L2' LED 7w/ELEE LO/RETUBE ONLY	retube 2' LED	2,324	0.0	0.0	0.0	56	40	16
552.0	Theunis Dey elem	Classroom Classroom 1	1	2L4' T8 28w/ELEE HI-8'	wrap	4	4	2L4' LED 13w/ELEE HI/RETUBE ONLY	retube 4' LED	1,764	0.3	0.2	0.1	452	303	148
553.0	Theunis Dey elem	Classroom Classroom 1	1	1L4' T8 28w/ELEE HI	wrap	2	2	1L4' LED 13w/ELEE HI/RETUBE ONLY	retube 4' LED	1,764	0.1	0.0	0.0	116	76	41
554.0	Theunis Dey elem	Classroom Classroom 1	1	2L4' T8 28w/ELEE HI-8'	wrap	2	2	2L4' LED 13w/ELEE HI/RETUBE ONLY	retube 4' LED	1,764	0.1	0.1	0.0	226	152	74
555.0	Theunis Dey elem	Classroom Classroom 1	1	1L4' T8 28w/ELEE HI	wrap	1	1	1L4' LED 13w/ELEE HI/RETUBE ONLY	retube 4' LED	1,764	0.0	0.0	0.0	58	38	20
556.0	Theunis Dey elem	Bath Bath 1	1	2L2' T8 15w/EL LO	wrap	1	1	2L2' LED 7w/ELEE LO/RETUBE ONLY	retube 2' LED	2,324	0.0	0.0	0.0	56	40	16
557.0	Theunis Dey elem	Hall Hall 5 To 4	1	1L4' T8 28w/ELEE HI	wrap	2	2	1L4' LED 13w/ELEE HI/RETUBE ONLY	retube 4' LED	3,620	0.1	0.0	0.0	239	156	83
558.0	Theunis Dey elem	Hall Hall 5 To 4	1	2L2' T8 15w/EL	trof acr	3	3	2L2' LED 7w/ELEE/RETUBE ONLY	retube 2' LED	3,620	0.1	0.1	0.0	304	206	98
559.0	Theunis Dey elem	Hall Hall By Class 3	1	2L2' T8 15w/EL	trof acr	3	3	2L2' LED 7w/ELEE/RETUBE ONLY	retube 2' LED	3,620	0.1	0.1	0.0	304	206	98
565.0	Randall Carter elem	Classroom Classroom 11	1	2L4' T8 28w/ELEE HI-8'	wrap	6	6	2L4' LED 13w/ELEE HI/RETUBE ONLY	retube 4' LED	1,764	0.4	0.3	0.1	677	455	222
566.0	Randall Carter elem	Classroom Classroom 11	1	2L4' T8 28w/ELEE HI-8'	wrap	3	3	2L4' LED 13w/ELEE HI/RETUBE ONLY	retube 4' LED	1,764	0.2	0.1	0.1	339	228	111
567.0	Randall Carter elem	Classroom Classroom 11	1	11W CF SCREW IN	square surface mt.	1		NO RETRO	no change	2,520	0.0	0.0		33	33	
568.0	Randall Carter elem	Classroom Classroom 10	1	2L4' T8 28w/ELEE HI-8'	wrap	6	6	2L4' LED 13w/ELEE HI/RETUBE ONLY	retube 4' LED	1,764	0.4	0.3	0.1	677	455	222
569.0	Randall Carter elem	Classroom Classroom 10	1	2L4' T8 28w/ELEE HI-8'	wrap	3	3	2L4' LED 13w/ELEE HI/RETUBE ONLY	retube 4' LED	1,764	0.2	0.1	0.1	339	228	111
570.0	Randall Carter elem	Classroom Classroom 10	1	11W CF SCREW IN	square surface mt.	1		NO RETRO	no change	2,520	0.0	0.0		33	33	
571.0	Randall Carter elem	Classroom Classroom 12	1	2L4' T8 28w/ELEE HI-8'	wrap	6	6	2L4' LED 13w/ELEE HI/RETUBE ONLY	retube 4' LED	1,764	0.4	0.3	0.1	677	455	222
572.0	Randall Carter elem	Classroom Classroom 12	1	2L4' T8 28w/ELEE HI-8'	wrap	3	3	2L4' LED 13w/ELEE HI/RETUBE ONLY	retube 4' LED	1,764	0.2	0.1	0.1	339	228	111
573.0	Randall Carter elem	Classroom Classroom 12	1	11W CF SCREW IN	square surface mt.	1		NO RETRO	no change	2,520	0.0	0.0		33	33	
574.0	Randall Carter elem	Classroom Classroom 9	1	2L4' T8 28w/ELEE HI-8'	wrap	6	6	2L4' LED 13w/ELEE HI/RETUBE ONLY	retube 4' LED	1,764	0.4	0.3	0.1	677	455	222
575.0	Randall Carter elem	Classroom Classroom 9	1	2L4' T8 28w/ELEE HI-8'	wrap	3	3	2L4' LED 13w/ELEE HI/RETUBE ONLY	retube 4' LED	1,764	0.2	0.1	0.1	339	228	111
576.0	Randall Carter elem	Classroom Classroom 9	1	11W CF SCREW IN	square surface mt.	1		NO RETRO	no change	2,520	0.0	0.0		33	33	
577.0	Randall Carter elem	Classroom Classroom 13	1	2L4' T8 28w/ELEE HI-8'	wrap	6	6	2L4' LED 13w/ELEE HI/RETUBE ONLY	retube 4' LED	1,764	0.4	0.3	0.1	677	455	222
578.0	Randall Carter elem	Classroom Classroom 13	1	2L4' T8 28w/ELEE HI-8'	wrap	3	3	2L4' LED 13w/ELEE HI/RETUBE ONLY	retube 4' LED	1,764	0.2	0.1	0.1	339	228	111
579.0	Randall Carter elem	Classroom Classroom 13	1	11W CF SCREW IN	square surface mt.	1		NO RETRO	no change	2,520	0.0	0.0		33	33	
580.0	Randall Carter elem	Classroom Classroom 8	1	2L4' T8 28w/ELEE HI-8'	wrap	6	6	2L4' LED 13w/ELEE HI/RETUBE ONLY	retube 4' LED	1,764	0.4	0.3	0.1	677	455	222
581.0	Randall Carter elem	Classroom Classroom 8	1	2L4' T8 28w/ELEE HI-8'	wrap	3	3	2L4' LED 13w/ELEE HI/RETUBE ONLY	retube 4' LED	1,764	0.2	0.1	0.1	339	228	111
582.0	Randall Carter elem	Classroom Classroom 8	1	11W CF SCREW IN	square surface mt.	1		NO RETRO	no change	2,520	0.0	0.0		33	33	
583.0	Randall Carter elem	Classroom Classroom 14	1	2L4' T8 28w/ELEE HI-8'	wrap	6	6	2L4' LED 13w/ELEE HI/RETUBE ONLY	retube 4' LED	1,764	0.4	0.3	0.1	677	455	222
584.0	Randall Carter elem	Classroom Classroom 14	1	2L4' T8 28w/ELEE HI-8'	wrap	3	3	2L4' LED 13w/ELEE HI/RETUBE ONLY	retube 4' LED	1,764	0.2	0.1	0.1	339	228	111
585.0	Randall Carter elem	Classroom Classroom 14	1	11W CF SCREW IN	square surface mt.	1		NO RETRO	no change	2,520	0.0	0.0		33	33	
586.0	Randall Carter elem	Classroom Classroom 7	1	2L4' T8 28w/ELEE HI-8'	wrap	6	6	2L4' LED 13w/ELEE HI/RETUBE ONLY	retube 4' LED	1,764	0.4	0.3	0.1	677	455	222
587.0	Randall Carter elem	Classroom Classroom 7	1	2L4' T8 28w/ELEE HI-8'	wrap	3	3	2L4' LED 13w/ELEE HI/RETUBE ONLY	retube 4' LED	1,764	0.2	0.1	0.1	339	228	111



Wayne NJ

Phase 2 Lighting Scope of Work

Line	Building Name	Location	FI	Pre Fixture Description	Pre Fixture Style	Pre Qty	Pre Qty In Scope	Post Fixture Description	Post Fixture Style	Annual Hours	Pre kW	Post kW	kW Saved Coin.	Pre kWh	Post kWh	kWh Saved
639.0	Randall Carter elem	Classroom Classroom 4	1	11W CF SCREW IN	square surface mt.	1		NO RETRO	no change	2,520	0.0	0.0		33	33	
640.0	Randall Carter elem	Classroom Classroom 3	1	2L4' T8 28w/ELEE HI	trof acr	9	9	2L4' LED 13w/ELEE HI/RETUBE ONLY	retube 4' LED	1,764	0.6	0.4	0.2	1,016	683	333
641.0	Randall Carter elem	Classroom Classroom 3	1	11W CF SCREW IN	square surface mt.	1		NO RETRO	no change	2,520	0.0	0.0		33	33	
642.0	Randall Carter elem	Hall Hall 21 To 25	1	2L4' T8 28w/ELEE	trof acr	11	11	2L4' LED 13w/ELEE/RETUBE ONLY	retube 4' LED	3,620	0.5	0.4	0.2	1,911	1,274	637
643.0	Randall Carter elem	Classroom Classroom 30	1	2L4' T8 28w/ELEE HI	box acrylic	2	2	2L4' LED 13w/ELEE HI/RETUBE ONLY	retube 4' LED	1,764	0.1	0.1	0.0	226	152	74
644.0	Randall Carter elem	Mechanical Mechanical Air Handler	1	23W CF SCREW IN	keyless	2		NO RETRO	no change	350	0.1	0.1		18	18	
645.0	Randall Carter elem	Classroom Classroom 21	1	2L4' T8 28w/ELEE LO	trof opaque 1' wide	2	2	2L4' LED 13w/ELEE LO/RETUBE ONLY	retube 4' LED	1,764	0.1	0.1	0.0	148	99	49
646.0	Randall Carter elem	Classroom Classroom 21	1	2L4' T8 28w/ELEE HI	wrap	13	13	2L4' LED 13w/ELEE HI/RETUBE ONLY	retube 4' LED	1,764	0.8	0.6	0.2	1,468	986	482
647.0	Randall Carter elem	Bath Bath 21	1	2x13W CF HARDWIRED	square surface mt.	1		NO RETRO	no change	2,324	0.0	0.0		70	70	
648.0	Randall Carter elem	Classroom Classroom 22	1	2L4' T8 28w/ELEE LO	trof opaque 1' wide	3	3	2L4' LED 13w/ELEE LO/RETUBE ONLY	retube 4' LED	1,764	0.1	0.1	0.0	222	148	74
649.0	Randall Carter elem	Classroom Classroom 22	1	2L4' T8 28w/ELEE HI-8'	wrap	6	6	2L4' LED 13w/ELEE HI/RETUBE ONLY	retube 4' LED	1,764	0.4	0.3	0.1	677	455	222
650.0	Randall Carter elem	Classroom Classroom 22	1	1L4' T8 28w/ELEE HI	wrap	1	1	1L4' LED 13w/ELEE HI/RETUBE ONLY	retube 4' LED	1,764	0.0	0.0	0.0	58	38	20
651.0	Randall Carter elem	Bath Bath 22	1	2x13W CF HARDWIRED	square surface mt.	1		NO RETRO	no change	2,324	0.0	0.0		70	70	
652.0	Randall Carter elem	Classroom Classroom 29	1	2L4' T8 28w/ELEE HI-8'	wrap	2	2	2L4' LED 13w/ELEE HI/RETUBE ONLY	retube 4' LED	1,764	0.1	0.1	0.0	226	152	74
653.0	Randall Carter elem	Classroom Classroom 29	1	1L4' T8 28w/ELEE HI	wrap	1	1	1L4' LED 13w/ELEE HI/RETUBE ONLY	retube 4' LED	1,764	0.0	0.0	0.0	58	38	20
654.0	Randall Carter elem	Classroom Classroom 29	1	2L4' T8 28w/ELEE HI-8'	wrap	4	4	2L4' LED 13w/ELEE HI/RETUBE ONLY	retube 4' LED	1,764	0.3	0.2	0.1	452	303	148
655.0	Randall Carter elem	Classroom Classroom 29	1	1L4' T8 28w/ELEE HI	wrap	2	2	1L4' LED 13w/ELEE HI/RETUBE ONLY	retube 4' LED	1,764	0.1	0.0	0.0	116	76	41
656.0	Randall Carter elem	Bath Bath 29	1	2x13W CF HARDWIRED	square surface mt.	1		NO RETRO	no change	2,324	0.0	0.0		70	70	
657.0	Randall Carter elem	Classroom Classroom 23	1	2L4' T8 28w/ELEE HI-8'	wrap	2	2	2L4' LED 13w/ELEE HI/RETUBE ONLY	retube 4' LED	1,764	0.1	0.1	0.0	226	152	74
658.0	Randall Carter elem	Classroom Classroom 23	1	1L4' T8 28w/ELEE HI	wrap	1	1	1L4' LED 13w/ELEE HI/RETUBE ONLY	retube 4' LED	1,764	0.0	0.0	0.0	58	38	20
659.0	Randall Carter elem	Classroom Classroom 23	1	2L4' T8 28w/ELEE HI-8'	wrap	4	4	2L4' LED 13w/ELEE HI/RETUBE ONLY	retube 4' LED	1,764	0.3	0.2	0.1	452	303	148
660.0	Randall Carter elem	Classroom Classroom 23	1	1L4' T8 28w/ELEE HI	wrap	2	2	1L4' LED 13w/ELEE HI/RETUBE ONLY	retube 4' LED	1,764	0.1	0.0	0.0	116	76	41
661.0	Randall Carter elem	Classroom Classroom 23	1	2L4' T8 28w/ELEE LO	trof opaque 1' wide	4	4	2L4' LED 13w/ELEE LO/RETUBE ONLY	retube 4' LED	1,764	0.2	0.1	0.0	296	198	99
662.0	Randall Carter elem	Bath Bath 23	1	2x13W CF HARDWIRED	square surface mt.	1		NO RETRO	no change	2,324	0.0	0.0		70	70	
663.0	Randall Carter elem	Storage Storage 23	1	2L2' T8 15w/EL LO	wrap	2	2	2L2' LED 7w/ELEE LO/RETUBE ONLY	retube 2' LED	350	0.0	0.0	0.0	17	12	5
664.0	Randall Carter elem	Classroom Classroom 28	1	2L4' T8 28w/ELEE HI-8'	wrap	2	2	2L4' LED 13w/ELEE HI/RETUBE ONLY	retube 4' LED	1,764	0.1	0.1	0.0	226	152	74
665.0	Randall Carter elem	Classroom Classroom 28	1	1L4' T8 28w/ELEE HI	wrap	1	1	1L4' LED 13w/ELEE HI/RETUBE ONLY	retube 4' LED	1,764	0.0	0.0	0.0	58	38	20
666.0	Randall Carter elem	Classroom Classroom 28	1	2L4' T8 28w/ELEE HI-8'	wrap	4	4	2L4' LED 13w/ELEE HI/RETUBE ONLY	retube 4' LED	1,764	0.3	0.2	0.1	452	303	148
667.0	Randall Carter elem	Classroom Classroom 28	1	1L4' T8 28w/ELEE HI	wrap	2	2	1L4' LED 13w/ELEE HI/RETUBE ONLY	retube 4' LED	1,764	0.1	0.0	0.0	116	76	41
668.0	Randall Carter elem	Bath Bath 28	1	2x13W CF HARDWIRED	square surface mt.	1		NO RETRO	no change	2,324	0.0	0.0		70	70	
669.0	Randall Carter elem	Closet Closet Clean	1	13 WATT LED	jar	1		NO RETRO	no change already LED	350	0.0	0.0		5	5	
670.0	Randall Carter elem	Classroom Classroom 27	1	2L4' T8 28w/ELEE HI-8'	wrap	2	2	2L4' LED 13w/ELEE HI/RETUBE ONLY	retube 4' LED	1,764	0.1	0.1	0.0	226	152	74
671.0	Randall Carter elem	Classroom Classroom 27	1	1L4' T8 28w/ELEE HI	wrap	1	1	1L4' LED 13w/ELEE HI/RETUBE ONLY	retube 4' LED	1,764	0.0	0.0	0.0	58	38	20
672.0	Randall Carter elem	Classroom Classroom 27	1	2L4' T8 28w/ELEE HI-8'	wrap	4	4	2L4' LED 13w/ELEE HI/RETUBE ONLY	retube 4' LED	1,764	0.3	0.2	0.1	452	303	148
673.0	Randall Carter elem	Classroom Classroom 27	1	1L4' T8 28w/ELEE HI	wrap	2	2	1L4' LED 13w/ELEE HI/RETUBE ONLY	retube 4' LED	1,764	0.1	0.0	0.0	116	76	41
674.0	Randall Carter elem	Bath Bath 27	1	2x13W CF HARDWIRED	square surface mt.	1		NO RETRO	no change	2,324	0.0	0.0		70	70	
675.0	Randall Carter elem	Classroom Classroom 24	1	2L4' T8 28w/ELEE HI-8'	wrap	2	2	2L4' LED 13w/ELEE HI/RETUBE ONLY	retube 4' LED	1,764	0.1	0.1	0.0	226	152	74
676.0	Randall Carter elem	Classroom Classroom 24	1	1L4' T8 28w/ELEE HI	wrap	1	1	1L4' LED 13w/ELEE HI/RETUBE ONLY	retube 4' LED	1,764	0.0	0.0	0.0	58	38	20
677.0	Randall Carter elem	Classroom Classroom 24	1	2L4' T8 28w/ELEE HI-8'	wrap	4	4	2L4' LED 13w/ELEE HI/RETUBE ONLY	retube 4' LED	1,764	0.3	0.2	0.1	452	303	148
678.0	Randall Carter elem	Classroom Classroom 24	1	1L4' T8 28w/ELEE HI	wrap	2	2	1L4' LED 13w/ELEE HI/RETUBE ONLY	retube 4' LED	1,764	0.1	0.0	0.0	116	76	41
679.0	Randall Carter elem	Classroom Classroom 24	1	2L4' T8 28w/ELEE LO	trof opaque 1' wide	4	4	2L4' LED 13w/ELEE LO/RETUBE ONLY	retube 4' LED	1,764	0.2	0.1	0.0	296	198	99
680.0	Randall Carter elem	Bath Bath 24	1	2x13W CF HARDWIRED	square surface mt.	1		NO RETRO	no change	2,324	0.0	0.0		70	70	
681.0	Randall Carter elem	Classroom Classroom 26	1	2L4' T8 28w/ELEE HI-8'	wrap	2	2	2L4' LED 13w/ELEE HI/RETUBE ONLY	retube 4' LED	1,764	0.1	0.1	0.0	226	152	74
682.0	Randall Carter elem	Classroom Classroom 26	1	1L4' T8 28w/ELEE HI	wrap	1	1	1L4' LED 13w/ELEE HI/RETUBE ONLY	retube 4' LED	1,764	0.0	0.0	0.0	58	38	20
683.0	Randall Carter elem	Classroom Classroom 26	1	2L4' T8 28w/ELEE HI-8'	wrap	4	4	2L4' LED 13w/ELEE HI/RETUBE ONLY	retube 4' LED	1,764	0.3	0.2	0.1	452	303	148
684.0	Randall Carter elem	Classroom Classroom 26	1	1L4' T8 28w/ELEE HI	wrap	2	2	1L4' LED 13w/ELEE HI/RETUBE ONLY	retube 4' LED	1,764	0.1	0.0	0.0	116	76	41
685.0	Randall Carter elem	Bath Bath 26	1	2x13W CF HARDWIRED	square surface mt.	1		NO RETRO	no change	2,324	0.0	0.0		70	70	
686.0	Randall Carter elem	Classroom Classroom 25	1	2L4' T8 28w/ELEE HI-8'	wrap	3	3	2L4' LED 13w/ELEE HI/RETUBE ONLY	retube 4' LED	1,764	0.2	0.1	0.1	339	228	111
687.0	Randall Carter elem	Classroom Classroom 25	1	2L4' T8 28w/ELEE HI-8'	wrap	6	6	2L4' LED 13w/ELEE HI/RETUBE ONLY	retube 4' LED	1,764	0.4	0.3	0.1	677	455	222
688.0	Randall Carter elem	Bath Bath 25	1	2x13W CF HARDWIRED	square surface mt.	1		NO RETRO	no change	3,320	0.0	0.0		100	100	
692.0	Board of Ed Admin	Office Office Asst. Business Admin.	2	2L2' T8 15w/EL	trof minicube	1	1	2L2' LED 7w/ELEE HI/RETUBE ONLY	retube 2' LED	1,820	0.0	0.0	0.0	60	49	11



Line	Building Name	Location	FI	Pre Fixture Description	Pre Fixture Style	Pre Qty	Pre Qty In Scope	Post Fixture Description	Post Fixture Style	Annual Hours	Pre kW	Post kW	kW Saved Coin.	Pre kWh	Post kWh	kWh Saved
799.0	Ryerson elem	Classroom Classroom 8	1	2L4' T8 28w/ELEE HI-8'	wrap	6	6	2L4' LED 13w/ELEE HI/RETUBE ONLY	retube 4' LED	1,764	0.4	0.3	0.1	677	455	222
800.0	Ryerson elem	Bath Bath 8	1	13W CF HARDWIRED	square surface mt.	1		NO RETRO	no change	2,324	0.0	0.0		35	35	
801.0	Ryerson elem	Office Open Office Open 14	1	2L4' T8 28w/ELEE HI-8'	wrap	3	3	2L4' LED 13w/ELEE HI/RETUBE ONLY	retube 4' LED	1,904	0.2	0.1	0.1	366	246	120
802.0	Ryerson elem	Office Open Office Open 14	1	2L4' T8 28w/ELEE HI-8'	wrap	6	6	2L4' LED 13w/ELEE HI/RETUBE ONLY	retube 4' LED	1,904	0.4	0.3	0.1	731	491	240
803.0	Ryerson elem	Bath Bath 14	1	13W CF HARDWIRED	square surface mt.	1		NO RETRO	no change	2,324	0.0	0.0		35	35	
804.0	Ryerson elem	Classroom Classroom 7	1	2L4' T8 28w/ELEE HI-8'	wrap	3	3	2L4' LED 13w/ELEE HI/RETUBE ONLY	retube 4' LED	1,764	0.2	0.1	0.1	339	228	111
805.0	Ryerson elem	Classroom Classroom 7	1	2L4' T8 28w/ELEE HI-8'	wrap	6	6	2L4' LED 13w/ELEE HI/RETUBE ONLY	retube 4' LED	1,764	0.4	0.3	0.1	677	455	222
806.0	Ryerson elem	Bath Bath 7	1	13W CF HARDWIRED	square surface mt.	1		NO RETRO	no change	2,324	0.0	0.0		35	35	
807.0	Ryerson elem	Classroom Classroom 15	1	2L4' T8 28w/ELEE HI-8'	wrap	3	3	2L4' LED 13w/ELEE HI/RETUBE ONLY	retube 4' LED	1,764	0.2	0.1	0.1	339	228	111
808.0	Ryerson elem	Classroom Classroom 15	1	2L4' T8 28w/ELEE HI-8'	wrap	6	6	2L4' LED 13w/ELEE HI/RETUBE ONLY	retube 4' LED	1,764	0.4	0.3	0.1	677	455	222
809.0	Ryerson elem	Bath Bath 15	1	13W CF HARDWIRED	square surface mt.	1		NO RETRO	no change	2,324	0.0	0.0		35	35	
810.0	Ryerson elem	Classroom Classroom 6	1	2L4' T8 28w/ELEE HI-8'	wrap	3	3	2L4' LED 13w/ELEE HI/RETUBE ONLY	retube 4' LED	1,764	0.2	0.1	0.1	339	228	111
811.0	Ryerson elem	Classroom Classroom 6	1	2L4' T8 28w/ELEE HI-8'	wrap	6	6	2L4' LED 13w/ELEE HI/RETUBE ONLY	retube 4' LED	1,764	0.4	0.3	0.1	677	455	222
812.0	Ryerson elem	Bath Bath 6	1	13W CF HARDWIRED	square surface mt.	1		NO RETRO	no change	2,324	0.0	0.0		35	35	
813.0	Ryerson elem	Classroom Classroom 16	1	2L4' T8 28w/ELEE HI-8'	wrap	3	3	2L4' LED 13w/ELEE HI/RETUBE ONLY	retube 4' LED	1,764	0.2	0.1	0.1	339	228	111
814.0	Ryerson elem	Classroom Classroom 16	1	2L4' T8 28w/ELEE HI-8'	wrap	6	6	2L4' LED 13w/ELEE HI/RETUBE ONLY	retube 4' LED	1,764	0.4	0.3	0.1	677	455	222
815.0	Ryerson elem	Bath Bath 16	1	13W CF HARDWIRED	square surface mt.	1		NO RETRO	no change	2,324	0.0	0.0		35	35	
816.0	Ryerson elem	Hall Hall 11-16	1	2L4' T8 28w/ELEE	trof acr	13	13	2L4' LED 13w/ELEE/RETUBE ONLY	retube 4' LED	3,620	0.6	0.4	0.2	2,259	1,506	753
817.0	Ryerson elem	Hall Hall 26 To 17	1	2L4' T8 28w/ELEE	trof acr	8	8	2L4' LED 13w/ELEE/RETUBE ONLY	retube 4' LED	3,620	0.4	0.3	0.1	1,390	927	463
818.0	Ryerson elem	Hall Hall 26 To 17	1	2L4' T8 28w/ELEE LO	trof acr	5	5	2L4' LED 13w/ELEE LO/RETUBE ONLY	retube 4' LED	3,620	0.2	0.1	0.1	760	507	253
819.0	Ryerson elem	Classroom Classroom 17	1	1L4' T8 28w/ELEE HI	wrap	16	16	1L4' LED 13w/ELEE HI/RETUBE ONLY	retube 4' LED	1,764	0.5	0.3	0.2	931	607	325
820.0	Ryerson elem	Bath Bath 17	1	13W CF HARDWIRED	square surface mt.	1		NO RETRO	no change	2,324	0.0	0.0		35	35	
821.0	Ryerson elem	Storage Storage 17	1	1L4' T8 28w/ELEE HI	wrap	2	2	1L4' LED 13w/ELEE HI/RETUBE ONLY	retube 4' LED	350	0.1	0.0	0.0	23	15	8
822.0	Ryerson elem	Hall Hall 23 To 17	1	2L4' T8 28w/ELEE	trof acr	21	21	2L4' LED 13w/ELEE/RETUBE ONLY	retube 4' LED	3,620	1.0	0.7	0.3	3,649	2,433	1,216
823.0	Ryerson elem	Hall Hall 23 To 17	1	2L2' T8 15w/EL	trof acr	8	8	2L2' LED 7w/ELEE/RETUBE ONLY	retube 2' LED	3,620	0.2	0.2	0.1	811	550	261
824.0	Ryerson elem	Hall Hall 23 To 17	1	4L4' T8 28w/ELEE LO	decorative	1	1	4L4' LED 13w/ELEE LO/RETUBE ONLY	retube 4' LED	3,620	0.1	0.1	0.0	300	203	98
825.0	Ryerson elem	Closet Closet Paper	1	2x13W CF HARDWIRED	drum	2		NO RETRO	no change	350	0.1	0.1		21	21	
826.0	Ryerson elem	Bath Bath Women	1	1L4' T8 28w/ELEE HI	wrap	1	1	1L4' LED 13w/ELEE HI/RETUBE ONLY	retube 4' LED	2,324	0.0	0.0	0.0	77	50	27
827.0	Ryerson elem	Bath Bath Men	1	1L4' T8 28w/ELEE HI	wrap	1	1	1L4' LED 13w/ELEE HI/RETUBE ONLY	retube 4' LED	2,324	0.0	0.0	0.0	77	50	27
828.0	Ryerson elem	Closet Closet Clean	1	3x13W CF HARDWIRED	drum	1		NO RETRO	no change	350	0.0	0.0		16	16	
829.0	Ryerson elem	Office Office Language	1	2L4' T8 28w/ELEE HI	trof acr	1	1	2L4' LED 13w/ELEE HI/RETUBE ONLY	retube 4' LED	1,624	0.1	0.0	0.0	104	70	34
830.0	Ryerson elem	Classroom Classroom 5	1	2L4' T8 28w/ELEE HI-8'	wrap	3	3	2L4' LED 13w/ELEE HI/RETUBE ONLY	retube 4' LED	1,764	0.2	0.1	0.1	339	228	111
831.0	Ryerson elem	Classroom Classroom 5	1	2L4' T8 28w/ELEE HI-8'	wrap	6	6	2L4' LED 13w/ELEE HI/RETUBE ONLY	retube 4' LED	1,764	0.4	0.3	0.1	677	455	222
832.0	Ryerson elem	Bath Bath 5	1	13W CF HARDWIRED	square surface mt.	1		NO RETRO	no change	2,324	0.0	0.0		35	35	
833.0	Ryerson elem	Classroom Classroom 1	1	2L4' T8 28w/ELEE HI-8'	wrap	4	4	2L4' LED 13w/ELEE HI/RETUBE ONLY	retube 4' LED	1,764	0.3	0.2	0.1	452	303	148
834.0	Ryerson elem	Classroom Classroom 1	1	2L4' T8 28w/ELEE HI-8'	wrap	8	8	2L4' LED 13w/ELEE HI/RETUBE ONLY	retube 4' LED	1,764	0.5	0.3	0.1	903	607	296
835.0	Ryerson elem	Storage Storage 1	1	1L4' T8 28w/ELEE HI	wrap	2	2	1L4' LED 13w/ELEE HI/RETUBE ONLY	retube 4' LED	350	0.1	0.0	0.0	23	15	8
836.0	Ryerson elem	Bath Bath 1	1	13W CF HARDWIRED	square surface mt.	1		NO RETRO	no change	2,324	0.0	0.0		35	35	
837.0	Ryerson elem	Classroom Classroom 2A	1	1L4' T8 28w/ELEE HI	wrap	4	4	1L4' LED 13w/ELEE HI/RETUBE ONLY	retube 4' LED	2,520	0.1	0.1	0.0	333	217	116
838.0	Ryerson elem	Classroom Classroom 4	1	2L4' T8 28w/ELEE HI-8'	wrap	3	3	2L4' LED 13w/ELEE HI/RETUBE ONLY	retube 4' LED	1,764	0.2	0.1	0.1	339	228	111
839.0	Ryerson elem	Classroom Classroom 4	1	2L4' T8 28w/ELEE HI-8'	wrap	6	6	2L4' LED 13w/ELEE HI/RETUBE ONLY	retube 4' LED	1,764	0.4	0.3	0.1	677	455	222
840.0	Ryerson elem	Bath Bath 4	1	13W CF HARDWIRED	square surface mt.	1		NO RETRO	no change	2,324	0.0	0.0		35	35	
841.0	Ryerson elem	Classroom Classroom 2	1	2L4' T8 28w/ELEE HI-8'	wrap	4	4	2L4' LED 13w/ELEE HI/RETUBE ONLY	retube 4' LED	1,764	0.3	0.2	0.1	452	303	148
842.0	Ryerson elem	Classroom Classroom 2	1	2L4' T8 28w/ELEE HI-8'	wrap	8	8	2L4' LED 13w/ELEE HI/RETUBE ONLY	retube 4' LED	1,764	0.5	0.3	0.1	903	607	296
843.0	Ryerson elem	Bath Bath 2	1	13W CF HARDWIRED	square surface mt.	1		NO RETRO	no change	2,324	0.0	0.0		35	35	
844.0	Ryerson elem	Classroom Classroom 3	1	2L4' T8 28w/ELEE HI-8'	wrap	3	3	2L4' LED 13w/ELEE HI/RETUBE ONLY	retube 4' LED	1,764	0.2	0.1	0.1	339	228	111
845.0	Ryerson elem	Classroom Classroom 3	1	2L4' T8 28w/ELEE HI-8'	wrap	6	6	2L4' LED 13w/ELEE HI/RETUBE ONLY	retube 4' LED	1,764	0.4	0.3	0.1	677	455	222
846.0	Ryerson elem	Bath Bath 3	1	13W CF HARDWIRED	square surface mt.	1		NO RETRO	no change	2,324	0.0	0.0		35	35	
847.0	Ryerson elem	Classroom Classroom 24	1	2L4' T8 28w/ELEE HI	trof acr	11	11	2L4' LED 13w/ELEE HI/RETUBE ONLY	retube 4' LED	1,764	0.7	0.5	0.2	1,242	834	407
848.0	Ryerson elem	Classroom Classroom 24	1	1L4' T8 28w/ELEE LO	task strip	1	1	1L4' LED 13w/ELEE LO/RETUBE ONLY	retube 4' LED	2,520	0.0	0.0	0.0	55	35	20
849.0	Ryerson elem	Bath Bath 24	1	2x13W CF HARDWIRED	can rec vert 9"	1		NO RETRO	no change	2,324	0.0	0.0		70	70	



Line	Building Name	Location	FI	Pre Fixture Description	Pre Fixture Style	Pre Qty	Pre Qty In Scope	Post Fixture Description	Post Fixture Style	Annual Hours	Pre kW	Post kW	kW Saved Coin.	Pre kWh	Post kWh	kWh Saved
850.0	Ryerson elem	Classroom Classroom 25	1	3L4' T8 28w/ELEE LO	tube light	21	21	3L4' LED 13w/ELEE LO/RETUBE ONLY	retube 4' LED	1,764	1.3	0.9	0.4	2,334	1,556	778
851.0	Ryerson elem	Classroom Classroom 26	1	2L4' T8 28w/ELEE HI	trof acr	15	15	2L4' LED 13w/ELEE HI/RETUBE ONLY	retube 4' LED	1,764	1.0	0.6	0.3	1,693	1,138	556
852.0	Ryerson elem	Stage Stage Gym	1	NO EXISTING FIXTURE	high bay	5		NO RETRO	no change	2,320						
853.0	Ryerson elem	Stage Stage Gym	1	2L4' T8 28w/ELEE	wrap	3	3	2L4' LED 13w/ELEE/RETUBE ONLY	retube 4' LED	2,320	0.1	0.1	0.0	334	223	111
854.0	Ryerson elem	Office Office Boiler Room	1	3x13W CF HARDWIRED	drum	6		NO RETRO	no change	2,320	0.3	0.3		626	626	
855.0	Ryerson elem	Office Office Boiler Room	1	2L4' T8 28w/ELEE HI	trof acr	1	1	2L4' LED 13w/ELEE HI/RETUBE ONLY	retube 4' LED	2,320	0.1	0.0	0.0	148	100	49
856.0	Ryerson elem	Mechanical Mechanical Boiler Room	1	2L4' T8 28w/ELEE LO	strip	10	10	2L4' LED 13w/ELEE LO/RETUBE ONLY	retube 4' LED	350	0.4	0.3	0.1	147	98	49
857.0	Ryerson elem	Gym Gym Main	1	113 WATT LED	lowbay	1		NO RETRO	no change already LED	2,044	0.1	0.1		231	231	
858.0	Ryerson elem	Gym Gym Main	1	113 WATT LED	high bay	19		NO RETRO	no change already LED	2,044	2.1	2.1		4,388	4,388	
859.0	Ryerson elem	Storage Storage Gym	1	2L4' T8 28w/ELEE HI-8'	wrap	2	2	2L4' LED 13w/ELEE HI/RETUBE ONLY	retube 4' LED	1,484	0.1	0.1	0.0	190	128	62
860.0	Ryerson elem	Lounge Lounge Teachers	1	2L4' T8 28w/ELEE HI-8'	wrap	4	4	2L4' LED 13w/ELEE HI/RETUBE ONLY	retube 4' LED	1,764	0.3	0.2	0.1	452	303	148
861.0	Ryerson elem	Lounge Lounge Teachers	1	1L2' T8 15w/EL LO	vanity	1	1	1L2' LED 7w/ELEE LO/RETUBE ONLY	retube 2' LED	1,764	0.0	0.0	0.0	25	15	10
862.0	Ryerson elem	Office Open Office Open Portables	1	2L4' T8 28w/ELEE HI-8'	wrap	12	12	2L4' LED 13w/ELEE HI/RETUBE ONLY	retube 4' LED	1,904	0.8	0.5	0.2	1,462	982	480
863.0	Ryerson elem	Office Open Office Open Portables	1	1L4' T8 28w/ELEE HI	wrap	3	3	1L4' LED 13w/ELEE HI/RETUBE ONLY	retube 4' LED	1,904	0.1	0.1	0.0	188	123	66
864.0	Ryerson elem	Office Office Principal	1	2L4' T8 28w/ELEE HI	trof acr	1	1	2L4' LED 13w/ELEE HI/RETUBE ONLY	retube 4' LED	1,624	0.1	0.0	0.0	104	70	34
865.0	Ryerson elem	Office Office Principal	1	2L4' T8 28w/ELEE HI	wrap	1	1	2L4' LED 13w/ELEE HI/RETUBE ONLY	retube 4' LED	1,624	0.1	0.0	0.0	104	70	34
866.0	Ryerson elem	Closet Closet Principal	1	23W CF SCREW IN	keyless	1		NO RETRO	no change	350	0.0	0.0		9	9	
867.0	Ryerson elem	Office Open Office Open Main	1	2L4' T8 28w/ELEE HI	wrap	4	4	2L4' LED 13w/ELEE HI/RETUBE ONLY	retube 4' LED	1,904	0.3	0.2	0.1	487	327	160
868.0	Ryerson elem	Office Open Office Open Main	1	1L4' T8 28w/ELEE HI	wrap	1	1	1L4' LED 13w/ELEE HI/RETUBE ONLY	retube 4' LED	1,904	0.0	0.0	0.0	63	41	22
869.0	Ryerson elem	Office Open Office Open Main	1	1L4' T8 28w/ELEE HI	wrap	1	1	1L4' LED 13w/ELEE HI/RETUBE ONLY	retube 4' LED	1,904	0.0	0.0	0.0	63	41	22
870.0	Ryerson elem	Storage Storage Paper	1	2L4' T8 28w/ELEE HI	wrap	1	1	2L4' LED 13w/ELEE HI/RETUBE ONLY	retube 4' LED	1,484	0.1	0.0	0.0	95	64	31
871.0	Ryerson elem	Storage Storage Mailroom	1	2L4' T8 28w/ELEE	wrap	2	2	2L4' LED 13w/ELEE/RETUBE ONLY	retube 4' LED	1,484	0.1	0.1	0.0	142	95	47
872.0	Ryerson elem	Bath Bath Mailroom	1	2L2' T8 15w/EL LO	vanity	1	1	2L2' LED 7w/ELEE LO/RETUBE ONLY	retube 2' LED	3,320	0.0	0.0	0.0	80	56	23
873.0	Ryerson elem	Cafeteria Cafeteria Seating Area	1	2L4' T8 28w/ELEE HI	trof acr	4	4	2L4' LED 13w/ELEE HI/RETUBE ONLY	retube 4' LED	1,904	0.3	0.2	0.1	487	327	160
874.0	Ryerson elem	Cafeteria Cafeteria Seating Area	1	2L4' T8 28w/ELEE HI	trof acr	20	20	2L4' LED 13w/ELEE HI/RETUBE ONLY	retube 4' LED	1,904	1.3	0.9	0.4	2,437	1,637	800
875.0	Ryerson elem	Kitchen Kitchen Prep Area	1	2L4' T8 28w/ELEE LO	wrap	6	6	2L4' LED 13w/ELEE LO/RETUBE ONLY	retube 4' LED	1,920	0.3	0.2	0.1	484	323	161
876.0	Ryerson elem	Kitchen Kitchen Prep Area	1	2L4' T8 28w/ELEE LO	wrap	10	10	2L4' LED 13w/ELEE LO/RETUBE ONLY	retube 4' LED	1,920	0.4	0.3	0.1	806	538	269
877.0	Ryerson elem	Hall Hall Kitchen	1	2x13W CF HARDWIRED	drum	2		NO RETRO	no change	3,620	0.1	0.1		217	217	
878.0	Ryerson elem	Storage Storage Dry Goods	1	1L4' T8 28w/ELEE HI	wrap	2	2	1L4' LED 13w/ELEE HI/RETUBE ONLY	retube 4' LED	500	0.1	0.0	0.0	33	22	12
879.0	Ryerson elem	Storage Storage Clean	1	1L4' T8 28w/ELEE HI	wrap	2	2	1L4' LED 13w/ELEE HI/RETUBE ONLY	retube 4' LED	500	0.1	0.0	0.0	33	22	12
880.0	Ryerson elem	Kitchen Kitchen Dish Wash	1	2L4' T8 28w/ELEE LO	wrap	3	3	2L4' LED 13w/ELEE LO/RETUBE ONLY	retube 4' LED	1,344	0.1	0.1	0.0	169	113	56
881.0	Ryerson elem	Classroom Classroom 18	1	2L4' T8 28w/ELEE HI-8'	wrap	3	3	2L4' LED 13w/ELEE HI/RETUBE ONLY	retube 4' LED	1,764	0.2	0.1	0.1	339	228	111
882.0	Ryerson elem	Classroom Classroom 18	1	2L4' T8 28w/ELEE HI-8'	wrap	6	6	2L4' LED 13w/ELEE HI/RETUBE ONLY	retube 4' LED	1,764	0.4	0.3	0.1	677	455	222
883.0	Ryerson elem	Bath Bath Girls	1	2L2' T8 15w/EL	trof opaque	3	3	2L2' LED 7w/ELEE HI/RETUBE ONLY	retube 2' LED	2,324	0.1	0.1	0.0	230	188	42
884.0	Ryerson elem	Bath Bath Staff	1	21 WATT LED	can rec vert	1		NO RETRO	no change already LED	2,324	0.0	0.0		49	49	
885.0	Ryerson elem	Bath Bath Staff	1	2L2' T8 15w/EL LO	vanity	1	1	2L2' LED 7w/ELEE LO/RETUBE ONLY	retube 2' LED	2,324	0.0	0.0	0.0	56	40	16
886.0	Ryerson elem	Closet Closet Clean	1	2L2' T8 15w/EL LO	wrap	1	1	2L2' LED 7w/ELEE LO/RETUBE ONLY	retube 2' LED	350	0.0	0.0	0.0	8	6	2
887.0	Ryerson elem	Bath Bath Girls	1	2L2' T8 15w/EL	trof opaque	3	3	2L2' LED 7w/ELEE HI/RETUBE ONLY	retube 2' LED	2,324	0.1	0.1	0.0	230	188	42
888.0	Ryerson elem	Bath Bath Staff	1	21 WATT LED	can rec vert	1		NO RETRO	no change already LED	2,324	0.0	0.0		49	49	
889.0	Ryerson elem	Bath Bath Staff	1	2L2' T8 15w/EL LO	vanity	1	1	2L2' LED 7w/ELEE LO/RETUBE ONLY	retube 2' LED	2,324	0.0	0.0	0.0	56	40	16
890.0	Ryerson elem	Classroom Classroom 19	1	2L4' T8 28w/ELEE HI-8'	wrap	3	3	2L4' LED 13w/ELEE HI/RETUBE ONLY	retube 4' LED	1,764	0.2	0.1	0.1	339	228	111
891.0	Ryerson elem	Classroom Classroom 19	1	2L4' T8 28w/ELEE HI-8'	wrap	6	6	2L4' LED 13w/ELEE HI/RETUBE ONLY	retube 4' LED	1,764	0.4	0.3	0.1	677	455	222
892.0	Ryerson elem	Office Office Reading Rom	1	2L4' T8 28w/ELEE HI	trof acr	6	6	2L4' LED 13w/ELEE HI/RETUBE ONLY	retube 4' LED	1,624	0.4	0.3	0.1	624	419	205
893.0	Ryerson elem	Library Library	1	2L4' T8 28w/ELEE HI	trof acr	25	25	2L4' LED 13w/ELEE HI/RETUBE ONLY	retube 4' LED	1,764	1.6	1.1	0.4	2,822	1,896	926
894.0	Ryerson elem	Library Library Office	1	2L4' T8 28w/ELEE HI	trof acr	2	2	2L4' LED 13w/ELEE HI/RETUBE ONLY	retube 4' LED	1,764	0.1	0.1	0.0	226	152	74
895.0	Ryerson elem	Storage Storage Server	1	2L4' T8 28w/ELEE HI-8'	wrap	1	1	2L4' LED 13w/ELEE HI/RETUBE ONLY	retube 4' LED	350	0.1	0.0	0.0	22	15	7
896.0	Ryerson elem	Office Office Guidance	1	2L4' T8 28w/ELEE HI	trof acr	4	4	2L4' LED 13w/ELEE HI/RETUBE ONLY	retube 4' LED	1,624	0.3	0.2	0.1	416	279	136
897.0	Ryerson elem	Classroom Classroom 20	1	2L4' T8 28w/ELEE HI-8'	wrap	3	3	2L4' LED 13w/ELEE HI/RETUBE ONLY	retube 4' LED	1,764	0.2	0.1	0.1	339	228	111
898.0	Ryerson elem	Classroom Classroom 20	1	2L4' T8 28w/ELEE HI-8'	wrap	6	6	2L4' LED 13w/ELEE HI/RETUBE ONLY	retube 4' LED	1,764	0.4	0.3	0.1	677	455	222
899.0	Ryerson elem	Classroom Classroom 21	1	2L4' T8 28w/ELEE HI-8'	wrap	3	3	2L4' LED 13w/ELEE HI/RETUBE ONLY	retube 4' LED	1,764	0.2	0.1	0.1	339	228	111
900.0	Ryerson elem	Classroom Classroom 21	1	2L4' T8 28w/ELEE HI-8'	wrap	6	6	2L4' LED 13w/ELEE HI/RETUBE ONLY	retube 4' LED	1,764	0.4	0.3	0.1	677	455	222



Wayne NJ

Phase 2 Lighting Scope of Work

Line	Building Name	Location	FI	Pre Fixture Description	Pre Fixture Style	Pre Qty	Pre Qty In Scope	Post Fixture Description	Post Fixture Style	Annual Hours	Pre kW	Post kW	kW Saved Coin.	Pre kWh	Post kWh	kWh Saved
901.0	Ryerson elem	Classroom Classroom 22	1	2L4' T8 28w/ELEE HI-8'	wrap	3	3	2L4' LED 13w/ELEE HI/RETUBE ONLY	retube 4' LED	1,764	0.2	0.1	0.1	339	228	111
902.0	Ryerson elem	Classroom Classroom 22	1	1L4' T8 28w/ELEE HI	wrap	1	1	1L4' LED 13w/ELEE HI/RETUBE ONLY	retube 4' LED	1,764	0.0	0.0	0.0	58	38	20
903.0	Ryerson elem	Classroom Classroom 22	1	2L4' T8 28w/ELEE HI-8'	wrap	5	5	2L4' LED 13w/ELEE HI/RETUBE ONLY	retube 4' LED	1,764	0.3	0.2	0.1	564	379	185
904.0	Ryerson elem	Classroom Classroom 22	1	1L4' T8 28w/ELEE HI	wrap	2	2	1L4' LED 13w/ELEE HI/RETUBE ONLY	retube 4' LED	1,764	0.1	0.0	0.0	116	76	41
905.0	Ryerson elem	Classroom Classroom 23	1	2L4' T8 28w/ELEE HI-8'	wrap	3	3	2L4' LED 13w/ELEE HI/RETUBE ONLY	retube 4' LED	1,764	0.2	0.1	0.1	339	228	111
906.0	Ryerson elem	Classroom Classroom 23	1	2L4' T8 28w/ELEE HI-8'	wrap	6	6	2L4' LED 13w/ELEE HI/RETUBE ONLY	retube 4' LED	1,764	0.4	0.3	0.1	677	455	222
915.0	James Fallon ELEM	Gym Gym Main	1	172 WATT LED	high bay	16		NO RETRO	no change already LED	2,044	2.8	2.8		5,625	5,625	
916.0	James Fallon ELEM	Stage Stage	1	20 WATT LED	track head	9		NO RETRO	no change already LED	2,920	0.2	0.2		526	526	
917.0	James Fallon ELEM	Stage Stage	1	20 WATT LED	track head	9		NO RETRO	no change already LED	2,920	0.2	0.2		526	526	
918.0	James Fallon ELEM	Hall Hall Left Of Stage	1	2L2' F40 BIAX/EL	troffer indirect	3		NO RETRO	no change	3,620	0.2	0.2		684	684	
919.0	James Fallon ELEM	Hall Hall Right Of Stage	1	2L2' F40 BIAX/EL	troffer indirect	3		NO RETRO	no change	3,620	0.2	0.2		684	684	
920.0	James Fallon ELEM	Bath Bath Boys	1	2L2' F40 BIAX/EL	troffer indirect	1		NO RETRO	no change	2,324	0.1	0.1		146	146	
921.0	James Fallon ELEM	Bath Bath Boys	1	4L4' T8 28w/ELEE LO-8'	soffit	2	2	4L4' LED 13w/ELEE LO/RETUBE ONLY	retube 4' LED	2,324	0.2	0.1	0.0	386	260	125
922.0	James Fallon ELEM	Bath Bath Girls	1	2L2' F40 BIAX/EL	troffer indirect	1		NO RETRO	no change	2,324	0.1	0.1		146	146	
923.0	James Fallon ELEM	Bath Bath Girls	1	4L4' T8 28w/ELEE LO-8'	soffit	2	2	4L4' LED 13w/ELEE LO/RETUBE ONLY	retube 4' LED	2,324	0.2	0.1	0.0	386	260	125
924.0	James Fallon ELEM	Hall Hall By Baths	1	2x18W CF HARDWIRED/EL	can rec hor 9"	2		NO RETRO	no change	2,534	0.1	0.1		203	203	
925.0	James Fallon ELEM	Storage Storage Gym	1	2L2' F40 BIAX/EL	troffer indirect	4		NO RETRO	no change	1,484	0.3	0.3		374	374	
926.0	James Fallon ELEM	Classroom Classroom 42	1	2x18W CF HARDWIRED/EL	can rec hor 9"	4		NO RETRO	no change	1,764	0.2	0.2		282	282	
927.0	James Fallon ELEM	Classroom Classroom 42	1	2L2' T8 15w/EL	trof parabolic	20	20	2L2' LED 7w/ELEE HI/RETUBE ONLY	retube 2' LED	1,764	0.7	0.5	0.1	1,164	953	212
928.0	James Fallon ELEM	Classroom Classroom 42	1	2L2' T8 15w/EL LO	wrap	4	4	2L2' LED 7w/ELEE LO/RETUBE ONLY	retube 2' LED	1,764	0.1	0.1	0.0	169	120	49
929.0	James Fallon ELEM	Classroom Classroom 41	1	2L4' T8 28w/ELEE HI	trof parabolic	1	1	2L4' LED 13w/ELEE HI/RETUBE ONLY	retube 4' LED	1,764	0.1	0.0	0.0	113	76	37
930.0	James Fallon ELEM	Classroom Classroom 41	1	2L2' T8 15w/EL	trof parabolic	11	11	2L2' LED 7w/ELEE HI/RETUBE ONLY	retube 2' LED	1,764	0.4	0.3	0.1	640	524	116
931.0	James Fallon ELEM	Classroom Classroom 41	1	2L2' T8 15w/EL LO	wrap	4	4	2L2' LED 7w/ELEE LO/RETUBE ONLY	retube 2' LED	1,764	0.1	0.1	0.0	169	120	49
932.0	James Fallon ELEM	Classroom Classroom 41	1	2x18W CF HARDWIRED/EL	can rec hor 9"	3		NO RETRO	no change	1,764	0.1	0.1		212	212	
933.0	James Fallon ELEM	Hall Hall By Gym	1	2L2' T8 15w/EL	trof parabolic	5	5	2L2' LED 7w/ELEE HI/RETUBE ONLY	retube 2' LED	3,620	0.2	0.1	0.0	597	489	109
934.0	James Fallon ELEM	Hall Hall By Gym	1	2L2' T8 15w/EL	trof parabolic	1	1	2L2' LED 7w/ELEE/RETUBE ONLY	retube 2' LED	3,620	0.0	0.0	0.0	101	69	33
935.0	James Fallon ELEM	Hall Hall By Gym	1	2L4' T8 28w/ELEE LO	troffer indirect	7	7	2L4' LED 13w/ELEE LO/RETUBE ONLY	retube 4' LED	3,620	0.3	0.2	0.1	1,064	710	355
936.0	James Fallon ELEM	Hall Hall By Gym	1	2L2' F40 BIAX/EL	troffer indirect	2		NO RETRO	no change	3,620	0.1	0.1		456	456	
937.0	James Fallon ELEM	Classroom Classroom 39	1	2L4' T8 28w/ELEE HI	trof para dbl switch	9	9	2L4' LED 13w/ELEE HI/RETUBE ONLY	retube 4' LED	1,764	0.6	0.4	0.2	1,016	683	333
938.0	James Fallon ELEM	Classroom Classroom 39	1	1L2' F40 BIAX/EL	wrap wide	2		NO RETRO	no change	1,764	0.1	0.1		113	113	
939.0	James Fallon ELEM	Classroom Classroom 39	1	1L2' F40 BIAX/EL	wrap wide	2		NO RETRO	no change	1,764	0.1	0.1		113	113	
940.0	James Fallon ELEM	Classroom Classroom 39	1	2x18W CF HARDWIRED/EL	can rec hor 9"	1		NO RETRO	no change	1,764	0.0	0.0		71	71	
941.0	James Fallon ELEM	Bath Bath 39	1	11W CF SCREW IN	exhaust fan light	1		NO RETRO	no change	2,324	0.0	0.0		30	30	
942.0	James Fallon ELEM	Classroom Classroom 38	1	2L4' T8 28w/ELEE HI	trof para dbl switch	9	9	2L4' LED 13w/ELEE HI/RETUBE ONLY	retube 4' LED	1,764	0.6	0.4	0.2	1,016	683	333
943.0	James Fallon ELEM	Classroom Classroom 38	1	1L2' F40 BIAX/EL	wrap wide	2		NO RETRO	no change	1,764	0.1	0.1		113	113	
944.0	James Fallon ELEM	Classroom Classroom 38	1	1L2' F40 BIAX/EL	wrap wide	2		NO RETRO	no change	1,764	0.1	0.1		113	113	
945.0	James Fallon ELEM	Classroom Classroom 38	1	2x18W CF HARDWIRED/EL	can rec hor 9"	1		NO RETRO	no change	1,764	0.0	0.0		71	71	
946.0	James Fallon ELEM	Bath Bath 38	1	11W CF SCREW IN	exhaust fan light	1		NO RETRO	no change	2,324	0.0	0.0		30	30	
947.0	James Fallon ELEM	Classroom Classroom 37	1	2L4' T8 28w/ELEE HI	trof para dbl switch	9	9	2L4' LED 13w/ELEE HI/RETUBE ONLY	retube 4' LED	1,764	0.6	0.4	0.2	1,016	683	333
948.0	James Fallon ELEM	Classroom Classroom 37	1	1L2' F40 BIAX/EL	wrap wide	2		NO RETRO	no change	1,764	0.1	0.1		113	113	
949.0	James Fallon ELEM	Classroom Classroom 37	1	1L2' F40 BIAX/EL	wrap wide	2		NO RETRO	no change	1,764	0.1	0.1		113	113	
950.0	James Fallon ELEM	Classroom Classroom 37	1	2x18W CF HARDWIRED/EL	can rec hor 9"	1		NO RETRO	no change	1,764	0.0	0.0		71	71	
951.0	James Fallon ELEM	Bath Bath 37	1	11W CF SCREW IN	exhaust fan light	1		NO RETRO	no change	2,324	0.0	0.0		30	30	
952.0	James Fallon ELEM	Classroom Classroom 36	1	2L4' T8 28w/ELEE HI	trof para dbl switch	9	9	2L4' LED 13w/ELEE HI/RETUBE ONLY	retube 4' LED	1,764	0.6	0.4	0.2	1,016	683	333
953.0	James Fallon ELEM	Classroom Classroom 36	1	1L2' F40 BIAX/EL	wrap wide	2		NO RETRO	no change	1,764	0.1	0.1		113	113	
954.0	James Fallon ELEM	Classroom Classroom 36	1	1L2' F40 BIAX/EL	wrap wide	2		NO RETRO	no change	1,764	0.1	0.1		113	113	
955.0	James Fallon ELEM	Classroom Classroom 36	1	2x18W CF HARDWIRED/EL	can rec hor 9"	1		NO RETRO	no change	1,764	0.0	0.0		71	71	
956.0	James Fallon ELEM	Bath Bath 36	1	11W CF SCREW IN	exhaust fan light	1		NO RETRO	no change	2,324	0.0	0.0		30	30	
957.0	James Fallon ELEM	Classroom Classroom 35	1	2L4' T8 28w/ELEE HI	trof para dbl switch	9	9	2L4' LED 13w/ELEE HI/RETUBE ONLY	retube 4' LED	1,764	0.6	0.4	0.2	1,016	683	333
958.0	James Fallon ELEM	Classroom Classroom 35	1	1L2' F40 BIAX/EL	wrap wide	2		NO RETRO	no change	1,764	0.1	0.1		113	113	
959.0	James Fallon ELEM	Classroom Classroom 35	1	1L2' F40 BIAX/EL	wrap wide	2		NO RETRO	no change	1,764	0.1	0.1		113	113	



Line	Building Name	Location	FI	Pre Fixture Description	Pre Fixture Style	Pre Qty	Pre Qty In Scope	Post Fixture Description	Post Fixture Style	Annual Hours	Pre kW	Post kW	kW Saved Coin.	Pre kWh	Post kWh	kWh Saved
960.0	James Fallon ELEM	Classroom Classroom 35	1	2x18W CF HARDWIRED/EL	can rec hor 9"	1		NO RETRO	no change	1,764	0.0	0.0		71	71	
961.0	James Fallon ELEM	Bath Bath 35	1	11W CF SCREW IN	exhaust fan light	1		NO RETRO	no change	2,324	0.0	0.0		30	30	
962.0	James Fallon ELEM	Classroom Classroom 34	1	2L4' T8 28w/ELEE HI	trof para dbl switch	9	9	2L4' LED 13w/ELEE HI/RETUBE ONLY	retube 4' LED	1,764	0.6	0.4	0.2	1,016	683	333
963.0	James Fallon ELEM	Classroom Classroom 34	1	1L2' F40 BIAX/EL	wrap wide	2		NO RETRO	no change	1,764	0.1	0.1		113	113	
964.0	James Fallon ELEM	Classroom Classroom 34	1	1L2' F40 BIAX/EL	wrap wide	2		NO RETRO	no change	1,764	0.1	0.1		113	113	
965.0	James Fallon ELEM	Classroom Classroom 34	1	2x18W CF HARDWIRED/EL	can rec hor 9"	1		NO RETRO	no change	1,764	0.0	0.0		71	71	
966.0	James Fallon ELEM	Bath Bath 34	1	11W CF SCREW IN	exhaust fan light	1		NO RETRO	no change	2,324	0.0	0.0		30	30	
967.0	James Fallon ELEM	Classroom Classroom 33	1	2L4' T8 28w/ELEE HI	trof para dbl switch	9	9	2L4' LED 13w/ELEE HI/RETUBE ONLY	retube 4' LED	1,764	0.6	0.4	0.2	1,016	683	333
968.0	James Fallon ELEM	Classroom Classroom 33	1	1L2' F40 BIAX/EL	wrap wide	2		NO RETRO	no change	1,764	0.1	0.1		113	113	
969.0	James Fallon ELEM	Classroom Classroom 33	1	1L2' F40 BIAX/EL	wrap wide	2		NO RETRO	no change	1,764	0.1	0.1		113	113	
970.0	James Fallon ELEM	Classroom Classroom 33	1	2x18W CF HARDWIRED/EL	can rec hor 9"	1		NO RETRO	no change	1,764	0.0	0.0		71	71	
971.0	James Fallon ELEM	Bath Bath 33	1	11W CF SCREW IN	exhaust fan light	1		NO RETRO	no change	2,324	0.0	0.0		30	30	
972.0	James Fallon ELEM	Classroom Classroom 32	1	2L4' T8 28w/ELEE HI	trof para dbl switch	9	9	2L4' LED 13w/ELEE HI/RETUBE ONLY	retube 4' LED	1,764	0.6	0.4	0.2	1,016	683	333
973.0	James Fallon ELEM	Classroom Classroom 32	1	1L2' F40 BIAX/EL	wrap wide	2		NO RETRO	no change	1,764	0.1	0.1		113	113	
974.0	James Fallon ELEM	Classroom Classroom 32	1	1L2' F40 BIAX/EL	wrap wide	2		NO RETRO	no change	1,764	0.1	0.1		113	113	
975.0	James Fallon ELEM	Classroom Classroom 32	1	2x18W CF HARDWIRED/EL	can rec hor 9"	1		NO RETRO	no change	1,764	0.0	0.0		71	71	
976.0	James Fallon ELEM	Bath Bath 32	1	11W CF SCREW IN	exhaust fan light	1		NO RETRO	no change	2,324	0.0	0.0		30	30	
977.0	James Fallon ELEM	Classroom Classroom 31	1	2L4' T8 28w/ELEE HI	trof para dbl switch	9	9	2L4' LED 13w/ELEE HI/RETUBE ONLY	retube 4' LED	1,764	0.6	0.4	0.2	1,016	683	333
978.0	James Fallon ELEM	Classroom Classroom 31	1	1L2' F40 BIAX/EL	wrap wide	2		NO RETRO	no change	1,764	0.1	0.1		113	113	
979.0	James Fallon ELEM	Classroom Classroom 31	1	1L2' F40 BIAX/EL	wrap wide	2		NO RETRO	no change	1,764	0.1	0.1		113	113	
980.0	James Fallon ELEM	Classroom Classroom 31	1	2x18W CF HARDWIRED/EL	can rec hor 9"	1		NO RETRO	no change	1,764	0.0	0.0		71	71	
981.0	James Fallon ELEM	Bath Bath 31	1	11W CF SCREW IN	exhaust fan light	1		NO RETRO	no change	2,324	0.0	0.0		30	30	
982.0	James Fallon ELEM	Closet Closet Paper	1	1L4' T8 28w/ELEE HI	wrap	2	2	1L4' LED 13w/ELEE HI/RETUBE ONLY	retube 4' LED	350	0.1	0.0	0.0	23	15	8
983.0	James Fallon ELEM	Closet Closet Server	1	1L4' T8 28w/ELEE HI	wrap	1	1	1L4' LED 13w/ELEE HI/RETUBE ONLY	retube 4' LED	350	0.0	0.0	0.0	12	8	4
984.0	James Fallon ELEM	Closet Closet Clean	1	1L4' T8 28w/ELEE HI	wrap	1	1	1L4' LED 13w/ELEE HI/RETUBE ONLY	retube 4' LED	350	0.0	0.0	0.0	12	8	4
985.0	James Fallon ELEM	Storage Storage Toilet Paper	1	1L4' T8 28w/ELEE HI	wrap	1	1	1L4' LED 13w/ELEE HI/RETUBE ONLY	retube 4' LED	350	0.0	0.0	0.0	12	8	4
986.0	James Fallon ELEM	Classroom Classroom 30	1	2L4' T8 28w/ELEE HI	trof para dbl switch	9	9	2L4' LED 13w/ELEE HI/RETUBE ONLY	retube 4' LED	1,764	0.6	0.4	0.2	1,016	683	333
987.0	James Fallon ELEM	Classroom Classroom 30	1	1L2' F40 BIAX/EL	wrap wide	2		NO RETRO	no change	1,764	0.1	0.1		113	113	
988.0	James Fallon ELEM	Classroom Classroom 30	1	1L2' F40 BIAX/EL	wrap wide	2		NO RETRO	no change	1,764	0.1	0.1		113	113	
989.0	James Fallon ELEM	Classroom Classroom 30	1	2x18W CF HARDWIRED/EL	can rec hor 9"	1		NO RETRO	no change	1,764	0.0	0.0		71	71	
990.0	James Fallon ELEM	Bath Bath 30	1	11W CF SCREW IN	exhaust fan light	1		NO RETRO	no change	2,324	0.0	0.0		30	30	
991.0	James Fallon ELEM	Classroom Classroom 29	1	2L4' T8 28w/ELEE HI	trof para dbl switch	9	9	2L4' LED 13w/ELEE HI/RETUBE ONLY	retube 4' LED	1,764	0.6	0.4	0.2	1,016	683	333
992.0	James Fallon ELEM	Classroom Classroom 29	1	1L2' F40 BIAX/EL	wrap wide	2		NO RETRO	no change	1,764	0.1	0.1		113	113	
993.0	James Fallon ELEM	Classroom Classroom 29	1	1L2' F40 BIAX/EL	wrap wide	2		NO RETRO	no change	1,764	0.1	0.1		113	113	
994.0	James Fallon ELEM	Classroom Classroom 29	1	2x18W CF HARDWIRED/EL	can rec hor 9"	1		NO RETRO	no change	1,764	0.0	0.0		71	71	
995.0	James Fallon ELEM	Bath Bath 29	1	11W CF SCREW IN	exhaust fan light	1		NO RETRO	no change	2,324	0.0	0.0		30	30	
996.0	James Fallon ELEM	Classroom Classroom 27	1	2L4' T8 28w/ELEE HI	trof para dbl switch	9	9	2L4' LED 13w/ELEE HI/RETUBE ONLY	retube 4' LED	1,764	0.6	0.4	0.2	1,016	683	333
997.0	James Fallon ELEM	Classroom Classroom 27	1	1L2' F40 BIAX/EL	wrap wide	2		NO RETRO	no change	1,764	0.1	0.1		113	113	
998.0	James Fallon ELEM	Classroom Classroom 27	1	1L2' F40 BIAX/EL	wrap wide	2		NO RETRO	no change	1,764	0.1	0.1		113	113	
999.0	James Fallon ELEM	Classroom Classroom 27	1	2x18W CF HARDWIRED/EL	can rec hor 9"	1		NO RETRO	no change	1,764	0.0	0.0		71	71	
1,000.0	James Fallon ELEM	Bath Bath 27	1	11W CF SCREW IN	exhaust fan light	1		NO RETRO	no change	2,324	0.0	0.0		30	30	
1,001.0	James Fallon ELEM	Classroom Classroom 25	1	2L4' T8 28w/ELEE HI	trof para dbl switch	9	9	2L4' LED 13w/ELEE HI/RETUBE ONLY	retube 4' LED	1,764	0.6	0.4	0.2	1,016	683	333
1,002.0	James Fallon ELEM	Classroom Classroom 25	1	1L2' F40 BIAX/EL	wrap wide	2		NO RETRO	no change	1,764	0.1	0.1		113	113	
1,003.0	James Fallon ELEM	Classroom Classroom 25	1	1L2' F40 BIAX/EL	wrap wide	2		NO RETRO	no change	1,764	0.1	0.1		113	113	
1,004.0	James Fallon ELEM	Classroom Classroom 25	1	2x18W CF HARDWIRED/EL	can rec hor 9"	1		NO RETRO	no change	1,764	0.0	0.0		71	71	
1,005.0	James Fallon ELEM	Bath Bath 25	1	11W CF SCREW IN	exhaust fan light	1		NO RETRO	no change	2,324	0.0	0.0		30	30	
1,006.0	James Fallon ELEM	Classroom Classroom 24	1	2L4' T8 28w/ELEE HI	trof para dbl switch	9	9	2L4' LED 13w/ELEE HI/RETUBE ONLY	retube 4' LED	1,764	0.6	0.4	0.2	1,016	683	333
1,007.0	James Fallon ELEM	Classroom Classroom 24	1	1L2' F40 BIAX/EL	wrap wide	2		NO RETRO	no change	1,764	0.1	0.1		113	113	
1,008.0	James Fallon ELEM	Classroom Classroom 24	1	1L2' F40 BIAX/EL	wrap wide	2		NO RETRO	no change	1,764	0.1	0.1		113	113	
1,009.0	James Fallon ELEM	Classroom Classroom 24	1	2x18W CF HARDWIRED/EL	can rec hor 9"	1		NO RETRO	no change	1,764	0.0	0.0		71	71	
1,010.0	James Fallon ELEM	Bath Bath 24	1	11W CF SCREW IN	exhaust fan light	1		NO RETRO	no change	2,324	0.0	0.0		30	30	



Wayne NJ

Phase 2 Lighting Scope of Work

Line	Building Name	Location	FI	Pre Fixture Description	Pre Fixture Style	Pre Qty	Pre Qty In Scope	Post Fixture Description	Post Fixture Style	Annual Hours	Pre kW	Post kW	kW Saved Coin.	Pre kWh	Post kWh	kWh Saved
1,011.0	James Fallon ELEM	Classroom Classroom 23	1	2L4' T8 28w/ELEE HI	trof para dbl switch	9	9	2L4' LED 13w/ELEE HI/RETUBE ONLY	retube 4' LED	1,764	0.6	0.4	0.2	1,016	683	333
1,012.0	James Fallon ELEM	Classroom Classroom 23	1	1L2' F40 BIAX/EL	wrap wide	2		NO RETRO	no change	1,764	0.1	0.1		113	113	
1,013.0	James Fallon ELEM	Classroom Classroom 23	1	1L2' F40 BIAX/EL	wrap wide	2		NO RETRO	no change	1,764	0.1	0.1		113	113	
1,014.0	James Fallon ELEM	Classroom Classroom 23	1	2x18W CF HARDWIRED/EL	can rec hor 9"	1		NO RETRO	no change	1,764	0.0	0.0		71	71	
1,015.0	James Fallon ELEM	Bath Bath 23	1	11W CF SCREW IN	exhaust fan light	1		NO RETRO	no change	2,324	0.0	0.0		30	30	
1,016.0	James Fallon ELEM	Classroom Classroom 22	1	2L4' T8 28w/ELEE HI	trof para dbl switch	9	9	2L4' LED 13w/ELEE HI/RETUBE ONLY	retube 4' LED	1,764	0.6	0.4	0.2	1,016	683	333
1,017.0	James Fallon ELEM	Classroom Classroom 22	1	1L2' F40 BIAX/EL	wrap wide	2		NO RETRO	no change	1,764	0.1	0.1		113	113	
1,018.0	James Fallon ELEM	Classroom Classroom 22	1	1L2' F40 BIAX/EL	wrap wide	2		NO RETRO	no change	1,764	0.1	0.1		113	113	
1,019.0	James Fallon ELEM	Classroom Classroom 22	1	2x18W CF HARDWIRED/EL	can rec hor 9"	1		NO RETRO	no change	1,764	0.0	0.0		71	71	
1,020.0	James Fallon ELEM	Bath Bath 22	1	11W CF SCREW IN	exhaust fan light	1		NO RETRO	no change	2,324	0.0	0.0		30	30	
1,021.0	James Fallon ELEM	Hall Hall 22-39	1	2L4' T8 28w/ELEE LO	troffer indirect	31	31	2L4' LED 13w/ELEE LO/RETUBE ONLY	retube 4' LED	3,620	1.3	0.9	0.4	4,713	3,142	1,571
1,022.0	James Fallon ELEM	Bath Bath Staff	1	1L4' T8 28w/ELEE HI	wrap	1	1	1L4' LED 13w/ELEE HI/RETUBE ONLY	retube 4' LED	2,324	0.0	0.0	0.0	77	50	27
1,023.0	James Fallon ELEM	Classroom Classroom 21	1	2L4' T8 28w/ELEE HI	trof parabolic	2	2	2L4' LED 13w/ELEE HI/RETUBE ONLY	retube 4' LED	1,764	0.1	0.1	0.0	226	152	74
1,024.0	James Fallon ELEM	Library Library	1	2x18W CF HARDWIRED/EL	can rec hor 9"	18		NO RETRO	no change	2,520	0.7	0.7		1,814	1,814	
1,025.0	James Fallon ELEM	Library Library	1	6L4' T8 28w/ELEE LO-8'	indirect/direct	5	5	3L4' LED 13w/ELEE/RETUBE ONLY	retube 4' LED	2,520	0.6	0.5	0.1	1,588	1,210	378
1,026.0	James Fallon ELEM	Library Library	1	3L4' T8 28w/ELEE LO	indirect/direct	7	7	3L4' LED 13w/ELEE LO/RETUBE ONLY	retube 4' LED	2,520	0.4	0.3	0.1	1,111	741	370
1,027.0	James Fallon ELEM	Library Library	1	3L2' F40 BIAX/EL	indirect/direct	18		NO RETRO	no change	2,520	1.7	1.7		4,264	4,264	
1,028.0	James Fallon ELEM	Library Library	1	10 WATT LED	can rec vert	6		NO RETRO	no change already LED	2,520	0.1	0.1		151	151	
1,029.0	James Fallon ELEM	Office Office 20A	1	2L4' T8 28w/ELEE HI	trof parabolic	2	2	2L4' LED 13w/ELEE HI/RETUBE ONLY	retube 4' LED	2,320	0.1	0.1	0.0	297	200	97
1,030.0	James Fallon ELEM	Storage Storage Electrical	1	2L4' T8 28w/ELEE LO	troffer indirect	4	4	2L4' LED 13w/ELEE LO/RETUBE ONLY	retube 4' LED	350	0.2	0.1	0.0	59	39	20
1,031.0	James Fallon ELEM	Bath Bath Girls	1	2x18W CF HARDWIRED/EL	can rec hor 9"	1		NO RETRO	no change	2,324	0.0	0.0		93	93	
1,032.0	James Fallon ELEM	Bath Bath Girls	1	4L4' T8 28w/ELEE LO-8'	soffit	2	2	4L4' LED 13w/ELEE LO/RETUBE ONLY	retube 4' LED	2,324	0.2	0.1	0.0	386	260	126
1,033.0	James Fallon ELEM	Bath Bath Boys	1	2x18W CF HARDWIRED/EL	can rec hor 9"	1		NO RETRO	no change	2,324	0.0	0.0		93	93	
1,034.0	James Fallon ELEM	Bath Bath Boys	1	4L4' T8 28w/ELEE LO-8'	soffit	2	2	4L4' LED 13w/ELEE LO/RETUBE ONLY	retube 4' LED	2,324	0.2	0.1	0.0	386	260	126
1,035.0	James Fallon ELEM	Hall Hall By Bath	1	2L2' T8 15w/EL	trof parabolic	2	2	2L2' LED 7w/ELEE HI/RETUBE ONLY	retube 2' LED	3,620	0.1	0.1	0.0	239	195	43
1,036.0	James Fallon ELEM	Hall Hall By Main Office	1	2L4' T8 28w/ELEE LO	troffer indirect	3	3	2L4' LED 13w/ELEE LO/RETUBE ONLY	retube 4' LED	3,620	0.1	0.1	0.0	456	304	152
1,037.0	James Fallon ELEM	Lobby Lobby By Main Office	1	2x18W CF HARDWIRED/EL	can rec hor 9"	15		NO RETRO	no change	3,620	0.6	0.6		2,172	2,172	
1,038.0	James Fallon ELEM	Lobby Lobby By Main Office	1	22 WATT LED	can rec vert	10		NO RETRO	no change already LED	3,620	0.2	0.2		796	796	
1,039.0	James Fallon ELEM	Lobby Lobby By Main Office	1	2L2' T8 15w/EL LO	wrap	6	6	2L2' LED 7w/ELEE LO/RETUBE ONLY	retube 2' LED	3,620	0.1	0.1	0.0	521	369	152
1,040.0	James Fallon ELEM	Office Open Office Open Main	1	2L2' T8 15w/EL	trof parabolic	9	9	2L2' LED 7w/ELEE HI/RETUBE ONLY	retube 2' LED	1,904	0.3	0.2	0.0	565	463	103
1,041.0	James Fallon ELEM	Conference Conference 28B	1	2L4' T8 28w/ELEE HI	trof parabolic	2	2	2L4' LED 13w/ELEE HI/RETUBE ONLY	retube 4' LED	1,624	0.1	0.1	0.0	208	140	68
1,042.0	James Fallon ELEM	Office Office Principal	1	2L4' T8 28w/ELEE HI	trof parabolic	5	5	2L4' LED 13w/ELEE HI/RETUBE ONLY	retube 4' LED	1,624	0.3	0.2	0.1	520	349	171
1,043.0	James Fallon ELEM	Office Office 28C	1	2L4' T8 28w/ELEE HI	trof parabolic	2	2	2L4' LED 13w/ELEE HI/RETUBE ONLY	retube 4' LED	1,624	0.1	0.1	0.0	208	140	68
1,044.0	James Fallon ELEM	Office Office Nurse	1	2L2' T8 15w/EL	trof parabolic	2	2	2L2' LED 7w/ELEE HI/RETUBE ONLY	retube 2' LED	1,624	0.1	0.1	0.0	107	88	19
1,045.0	James Fallon ELEM	Office Office Nurse	1	2L4' T8 28w/ELEE HI	trof parabolic	3	3	2L4' LED 13w/ELEE HI/RETUBE ONLY	retube 4' LED	1,624	0.2	0.1	0.1	312	209	102
1,046.0	James Fallon ELEM	Office Office 26A	1	2L4' T8 28w/ELEE HI	trof parabolic	1	1	2L4' LED 13w/ELEE HI/RETUBE ONLY	retube 4' LED	1,624	0.1	0.0	0.0	104	70	34
1,047.0	James Fallon ELEM	Bath Bath 26A	1	1L4' T8 28w/ELEE HI	wrap	1	1	1L4' LED 13w/ELEE HI/RETUBE ONLY	retube 4' LED	2,324	0.0	0.0	0.0	77	50	27
1,048.0	James Fallon ELEM	Cafeteria Cafeteria Seating Area	1	2L2' T8 15w/EL	trof parabolic	10	10	2L2' LED 7w/ELEE HI/RETUBE ONLY	retube 2' LED	2,720	0.3	0.3	0.1	898	734	163
1,049.0	James Fallon ELEM	Cafeteria Cafeteria Seating Area	1	2L2' T8 15w/EL	troffer indirect	18	18	2L2' LED 7w/ELEE HI/RETUBE ONLY	retube 2' LED	2,720	0.6	0.5	0.1	1,616	1,322	294
1,050.0	James Fallon ELEM	Cafeteria Cafeteria Seating Area	1	2x18W CF HARDWIRED/EL	can rec hor 9"	36		NO RETRO	no change	2,720	1.4	1.4		3,917	3,917	
1,051.0	James Fallon ELEM	Kitchen Kitchen Prep Area	1	2x18W CF HARDWIRED/EL	can rec hor 9"	3		NO RETRO	no change	1,920	0.1	0.1		230	230	
1,052.0	James Fallon ELEM	Kitchen Kitchen Prep Area	1	2L4' T8 28w/ELEE HI	trof acr	5	5	2L4' LED 13w/ELEE HI/RETUBE ONLY	retube 4' LED	1,920	0.3	0.2	0.1	614	413	202
1,053.0	James Fallon ELEM	Kitchen Kitchen Grease Hood	1	23W CF SCREW IN	jar	1		NO RETRO	no change	1,920	0.0	0.0		48	48	
1,054.0	James Fallon ELEM	Storage Storage Dry Goods	1	2L4' T8 28w/ELEE	trof acr	2	2	2L4' LED 13w/ELEE/RETUBE ONLY	retube 4' LED	1,484	0.1	0.1	0.0	142	95	47
1,055.0	James Fallon ELEM	Closet Closet Clean	1	2x18W CF HARDWIRED/EL	can rec hor 9"	1		NO RETRO	no change	350	0.0	0.0		14	14	
1,056.0	James Fallon ELEM	Lounge Lounge Staff	1	2L4' T8 28w/ELEE	trof parabolic	5	5	2L4' LED 13w/ELEE/RETUBE ONLY	retube 4' LED	1,764	0.2	0.2	0.1	423	282	141
1,057.0	James Fallon ELEM	Lounge Lounge Staff	1	2x18W CF HARDWIRED/EL	can rec hor 9"	1		NO RETRO	no change	1,764	0.0	0.0		71	71	
1,058.0	James Fallon ELEM	Storage Storage Server	1	2x18W CF HARDWIRED/EL	can rec hor 9"	1		NO RETRO	no change	350	0.0	0.0		14	14	
1,059.0	James Fallon ELEM	Office Office Custodian	1	1L4' T8 28w/ELEE HI	wrap	2	2	1L4' LED 13w/ELEE HI/RETUBE ONLY	retube 4' LED	1,624	0.1	0.0	0.0	107	70	37
1,060.0	James Fallon ELEM	Classroom Classroom 15	1	2L4' T8 28w/ELEE HI	trof para dbl switch	15	15	2L4' LED 13w/ELEE HI/RETUBE ONLY	retube 4' LED	1,764	1.0	0.6	0.3	1,693	1,138	556
1,061.0	James Fallon ELEM	Classroom Classroom 15	1	2L2' T8 15w/EL	box acrylic	1	1	2L2' LED 7w/ELEE HI/RETUBE ONLY	retube 2' LED	1,764	0.0	0.0	0.0	58	48	11



Wayne NJ

Phase 2 Lighting Scope of Work

Line	Building Name	Location	FI	Pre Fixture Description	Pre Fixture Style	Pre Qty	Pre Qty In Scope	Post Fixture Description	Post Fixture Style	Annual Hours	Pre kW	Post kW	kW Saved Coin.	Pre kWH	Post kWH	kWH Saved
1,117.0	Lafayette Elem	Mechanical Mechanical Air Handler	1	13 WATT LED	jar	1		NO RETRO	no change already LED	350	0.0	0.0		5	5	
1,118.0	Lafayette Elem	Office Office Nurse	1	2L4' T8 28w/ELEE HI	trof acr	1	1	2L4' LED 13w/ELEE HI/RETUBE ONLY	retube 4' LED	1,624	0.1	0.0	0.0	104	70	34
1,119.0	Lafayette Elem	Office Office Nurse	1	2L2' T8 15w/EL LO	wrap	1	1	2L2' LED 7w/ELEE LO/RETUBE ONLY	retube 2' LED	1,624	0.0	0.0	0.0	39	28	11
1,120.0	Lafayette Elem	Bath Bath Nurse	1	2L2' T8 15w/EL LO	wrap	1	1	2L2' LED 7w/ELEE LO/RETUBE ONLY	retube 2' LED	3,320	0.0	0.0	0.0	80	56	23
1,121.0	Lafayette Elem	Office Open Office Open Main	1	2L4' T8 28w/ELEE HI	trof acr	4	4	2L4' LED 13w/ELEE HI/RETUBE ONLY	retube 4' LED	1,904	0.3	0.2	0.1	487	327	160
1,122.0	Lafayette Elem	Closet Closet Supplies	1	23W CF SCREW IN	keyless	1		NO RETRO	no change	500	0.0	0.0		13	13	
1,123.0	Lafayette Elem	Office Office Principal	1	2L4' T8 28w/ELEE HI-8'	wrap	2	2	2L4' LED 13w/ELEE HI/RETUBE ONLY	retube 4' LED	1,624	0.1	0.1	0.0	208	140	68
1,124.0	Lafayette Elem	Office Office Social Worker	1	2L4' T8 28w/ELEE HI-8'	wrap	2	2	2L4' LED 13w/ELEE HI/RETUBE ONLY	retube 4' LED	2,320	0.1	0.1	0.0	297	200	97
1,125.0	Lafayette Elem	Classroom Classroom 15	1	2L4' T8 28w/ELEE HI-8'	wrap	11	11	2L4' LED 13w/ELEE HI/RETUBE ONLY	retube 4' LED	1,764	0.7	0.5	0.2	1,242	834	407
1,126.0	Lafayette Elem	Closet Closet 15	1	23W CF SCREW IN	keyless	1		NO RETRO	no change	350	0.0	0.0		9	9	
1,127.0	Lafayette Elem	Bath Bath 14/15	1	1L4' T8 28w/ELEE HI	wrap	2	2	1L4' LED 13w/ELEE HI/RETUBE ONLY	retube 4' LED	3,320	0.1	0.0	0.0	219	143	76
1,128.0	Lafayette Elem	Classroom Classroom 14	1	2L4' T8 28w/ELEE HI-8'	wrap	11	11	2L4' LED 13w/ELEE HI/RETUBE ONLY	retube 4' LED	1,764	0.7	0.5	0.2	1,242	834	407
1,129.0	Lafayette Elem	Hall Hall 14 To 10	1	2L4' T8 28w/ELEE	box acrylic	8	8	2L4' LED 13w/ELEE/RETUBE ONLY	retube 4' LED	3,620	0.4	0.3	0.1	1,390	927	463
1,130.0	Lafayette Elem	Classroom Classroom 13	1	2L4' T8 28w/ELEE HI-8'	wrap	3	3	2L4' LED 13w/ELEE HI/RETUBE ONLY	retube 4' LED	1,764	0.2	0.1	0.1	339	228	111
1,131.0	Lafayette Elem	Classroom Classroom 13	1	2L4' T8 28w/ELEE HI-8'	wrap	6	6	2L4' LED 13w/ELEE HI/RETUBE ONLY	retube 4' LED	1,764	0.4	0.3	0.1	677	455	222
1,132.0	Lafayette Elem	Classroom Classroom 12	1	2L4' T8 28w/ELEE HI-8'	wrap	3	3	2L4' LED 13w/ELEE HI/RETUBE ONLY	retube 4' LED	1,764	0.2	0.1	0.1	339	228	111
1,133.0	Lafayette Elem	Classroom Classroom 12	1	2L4' T8 28w/ELEE HI-8'	wrap	6	6	2L4' LED 13w/ELEE HI/RETUBE ONLY	retube 4' LED	1,764	0.4	0.3	0.1	677	455	222
1,134.0	Lafayette Elem	Classroom Classroom 11	1	2L4' T8 28w/ELEE HI-8'	wrap	3	3	2L4' LED 13w/ELEE HI/RETUBE ONLY	retube 4' LED	1,764	0.2	0.1	0.1	339	228	111
1,135.0	Lafayette Elem	Classroom Classroom 11	1	2L4' T8 28w/ELEE HI-8'	wrap	6	6	2L4' LED 13w/ELEE HI/RETUBE ONLY	retube 4' LED	1,764	0.4	0.3	0.1	677	455	222
1,136.0	Lafayette Elem	Classroom Classroom 10	1	2L4' T8 28w/ELEE HI-8'	wrap	3	3	2L4' LED 13w/ELEE HI/RETUBE ONLY	retube 4' LED	1,764	0.2	0.1	0.1	339	228	111
1,137.0	Lafayette Elem	Classroom Classroom 10	1	2L4' T8 28w/ELEE HI-8'	wrap	6	6	2L4' LED 13w/ELEE HI/RETUBE ONLY	retube 4' LED	1,764	0.4	0.3	0.1	677	455	222
1,138.0	Lafayette Elem	Classroom Classroom 9	1	2L4' T8 28w/ELEE HI-8'	wrap	3	3	2L4' LED 13w/ELEE HI/RETUBE ONLY	retube 4' LED	1,764	0.2	0.1	0.1	339	228	111
1,139.0	Lafayette Elem	Classroom Classroom 9	1	2L4' T8 28w/ELEE HI-8'	wrap	6	6	2L4' LED 13w/ELEE HI/RETUBE ONLY	retube 4' LED	1,764	0.4	0.3	0.1	677	455	222
1,140.0	Lafayette Elem	Closet Closet Clean	1	18W CF HARDWIRED	keyless	1		NO RETRO	no change	350	0.0	0.0		7	7	
1,141.0	Lafayette Elem	Storage Storage Paper	1	1L4' T8 28w/ELEE HI	wrap	2	2	1L4' LED 13w/ELEE HI/RETUBE ONLY	retube 4' LED	1,484	0.1	0.0	0.0	98	64	34
1,142.0	Lafayette Elem	Kitchen Kitchen	1	2L4' T8 28w/ELEE LO	wrap	1	1	2L4' LED 13w/ELEE LO/RETUBE ONLY	retube 4' LED	1,344	0.0	0.0	0.0	56	38	19
1,143.0	Lafayette Elem	Office Office Copy	1	1L4' T8 28w/ELEE HI	wrap	1	1	1L4' LED 13w/ELEE HI/RETUBE ONLY	retube 4' LED	1,624	0.0	0.0	0.0	54	35	19
1,144.0	Lafayette Elem	Lounge Lounge Staff	1	1L4' T8 28w/ELEE HI	wrap	2	2	1L4' LED 13w/ELEE HI/RETUBE ONLY	retube 4' LED	1,764	0.1	0.0	0.0	116	76	41
1,145.0	Lafayette Elem	Lounge Lounge Staff	1	13W CF HARDWIRED	keyless	1		NO RETRO	no change	1,764	0.0	0.0		26	26	
1,146.0	Lafayette Elem	Bath Bath Staff	1	1L4' T8 28w/ELEE HI	wrap	1	1	1L4' LED 13w/ELEE HI/RETUBE ONLY	retube 4' LED	2,324	0.0	0.0	0.0	77	50	27
1,147.0	Lafayette Elem	Bath Bath Girls	1	1L4' T8 28w/ELEE HI	wrap	1	1	1L4' LED 13w/ELEE HI/RETUBE ONLY	retube 4' LED	2,324	0.0	0.0	0.0	77	50	27
1,148.0	Lafayette Elem	Bath Bath Girls	1	2L4' T8 28w/ELEE HI-8'	wrap	1	1	2L4' LED 13w/ELEE HI/RETUBE ONLY	retube 4' LED	2,324	0.1	0.0	0.0	149	100	49
1,149.0	Lafayette Elem	Bath Bath Staff	1	1L4' T8 28w/ELEE HI	wrap	1	1	1L4' LED 13w/ELEE HI/RETUBE ONLY	retube 4' LED	2,324	0.0	0.0	0.0	77	50	27
1,150.0	Lafayette Elem	Bath Bath Boys	1	2L4' T8 28w/ELEE HI	trof acr	1	1	2L4' LED 13w/ELEE HI/RETUBE ONLY	retube 4' LED	2,324	0.1	0.0	0.0	149	100	49
1,151.0	Lafayette Elem	Bath Bath Boys	1	2L2' T8 15w/EL	trof acr	1	1	2L2' LED 7w/ELEE HI/RETUBE ONLY	retube 2' LED	2,324	0.0	0.0	0.0	77	63	14
1,152.0	Lafayette Elem	Storage Storage By Boiler	1	2x13W CF HARDWIRED	drum	2		NO RETRO	no change	1,484	0.1	0.1		89	89	
1,153.0	Lafayette Elem	Mechanical Mechanical Boiler	1	1L4' T8 28w/ELEE HI	wrap	5	5	1L4' LED 13w/ELEE HI/RETUBE ONLY	retube 4' LED	350	0.2	0.1	0.1	58	38	20
1,154.0	Lafayette Elem	Mechanical Mechanical Boiler	1	23W CF SCREW IN	keyless	2		NO RETRO	no change	500	0.1	0.1		25	25	
1,155.0	Lafayette Elem	Kitchen Kitchen Prep Area	1	2L4' T8 28w/ELEE LO	wrap	10	10	2L4' LED 13w/ELEE LO/RETUBE ONLY	retube 4' LED	1,344	0.4	0.3	0.1	564	376	188
1,156.0	Lafayette Elem	Kitchen Kitchen Grease Hood	1	23W CF SCREW IN	jar	2		NO RETRO	no change	1,920	0.1	0.1		96	96	
1,157.0	Lafayette Elem	Hall Hall 15 To 9	1	2L4' T8 28w/ELEE	box acrylic	11	11	2L4' LED 13w/ELEE/RETUBE ONLY	retube 4' LED	3,620	0.5	0.4	0.2	1,911	1,274	637
1,158.0	Lafayette Elem	Cafeteria Cafeteria Seating Area	1	2L4' T8 28w/ELEE HI-8'	wrap	14	14	2L4' LED 13w/ELEE HI/RETUBE ONLY	retube 4' LED	1,904	0.9	0.6	0.2	1,706	1,146	560
1,159.0	Lafayette Elem	Cafeteria Cafeteria Seating Area	1	2L4' T8 28w/ELEE HI-8'	wrap	7	7	2L4' LED 13w/ELEE HI/RETUBE ONLY	retube 4' LED	1,904	0.4	0.3	0.1	853	573	280
1,160.0	Lafayette Elem	Hall Hall 9 To Main Lobby	1	2L4' T8 28w/ELEE	box acrylic	9	9	2L4' LED 13w/ELEE/RETUBE ONLY	retube 4' LED	3,620	0.4	0.3	0.1	1,564	1,043	521
1,161.0	Lafayette Elem	Hall Hall 9 To Main Lobby	1	2L2' T8 15w/EL	box acrylic	1	1	2L2' LED 7w/ELEE/RETUBE ONLY	retube 2' LED	3,620	0.0	0.0	0.0	101	69	33
1,162.0	Lafayette Elem	Bath Bath Girls	1	1L4' T8 28w/ELEE HI	wrap	2	2	1L4' LED 13w/ELEE HI/RETUBE ONLY	retube 4' LED	3,320	0.1	0.0	0.0	219	143	76
1,163.0	Lafayette Elem	Bath Bath Boys	1	1L4' T8 28w/ELEE HI	wrap	2	2	1L4' LED 13w/ELEE HI/RETUBE ONLY	retube 4' LED	3,320	0.1	0.0	0.0	219	143	76
1,164.0	Lafayette Elem	Classroom Classroom 8	1	2L4' T8 28w/ELEE HI-8'	wrap	3	3	2L4' LED 13w/ELEE HI/RETUBE ONLY	retube 4' LED	1,764	0.2	0.1	0.1	339	228	111
1,165.0	Lafayette Elem	Classroom Classroom 8	1	2L4' T8 28w/ELEE HI-8'	wrap	6	6	2L4' LED 13w/ELEE HI/RETUBE ONLY	retube 4' LED	1,764	0.4	0.3	0.1	677	455	222
1,166.0	Lafayette Elem	Classroom Classroom 7	1	2L4' T8 28w/ELEE HI-8'	wrap	3	3	2L4' LED 13w/ELEE HI/RETUBE ONLY	retube 4' LED	1,764	0.2	0.1	0.1	339	228	111
1,167.0	Lafayette Elem	Classroom Classroom 7	1	2L4' T8 28w/ELEE HI-8'	wrap	6	6	2L4' LED 13w/ELEE HI/RETUBE ONLY	retube 4' LED	1,764	0.4	0.3	0.1	677	455	222



Line	Building Name	Location	FI	Pre Fixture Description	Pre Fixture Style	Pre Qty	Pre Qty In Scope	Post Fixture Description	Post Fixture Style	Annual Hours	Pre kW	Post kW	kW Saved Coin.	Pre kWh	Post kWh	kWh Saved
1,168.0	Lafayette Elem	Classroom Classroom 6	1	2L4' T8 28w/ELEE HI-8'	wrap	3	3	2L4' LED 13w/ELEE HI/RETUBE ONLY	retube 4' LED	1,764	0.2	0.1	0.1	339	228	111
1,169.0	Lafayette Elem	Classroom Classroom 6	1	2L4' T8 28w/ELEE HI-8'	wrap	6	6	2L4' LED 13w/ELEE HI/RETUBE ONLY	retube 4' LED	1,764	0.4	0.3	0.1	677	455	222
1,170.0	Lafayette Elem	Classroom Classroom 5	1	2L4' T8 28w/ELEE HI-8'	wrap	3	3	2L4' LED 13w/ELEE HI/RETUBE ONLY	retube 4' LED	1,764	0.2	0.1	0.1	339	228	111
1,171.0	Lafayette Elem	Classroom Classroom 5	1	2L4' T8 28w/ELEE HI-8'	wrap	6	6	2L4' LED 13w/ELEE HI/RETUBE ONLY	retube 4' LED	1,764	0.4	0.3	0.1	677	455	222
1,172.0	Lafayette Elem	Classroom Classroom 4	1	2L4' T8 28w/ELEE HI-8'	wrap	3	3	2L4' LED 13w/ELEE HI/RETUBE ONLY	retube 4' LED	1,764	0.2	0.1	0.1	339	228	111
1,173.0	Lafayette Elem	Classroom Classroom 4	1	2L4' T8 28w/ELEE HI-8'	wrap	6	6	2L4' LED 13w/ELEE HI/RETUBE ONLY	retube 4' LED	1,764	0.4	0.3	0.1	677	455	222
1,174.0	Lafayette Elem	Classroom Classroom 3	1	2L4' T8 28w/ELEE HI-8'	wrap	3	3	2L4' LED 13w/ELEE HI/RETUBE ONLY	retube 4' LED	1,764	0.2	0.1	0.1	339	228	111
1,175.0	Lafayette Elem	Classroom Classroom 3	1	2L4' T8 28w/ELEE HI-8'	wrap	6	6	2L4' LED 13w/ELEE HI/RETUBE ONLY	retube 4' LED	1,764	0.4	0.3	0.1	677	455	222
1,176.0	Lafayette Elem	Classroom Classroom 2	1	2L4' T8 28w/ELEE HI-8'	wrap	3	3	2L4' LED 13w/ELEE HI/RETUBE ONLY	retube 4' LED	1,764	0.2	0.1	0.1	339	228	111
1,177.0	Lafayette Elem	Classroom Classroom 2	1	2L4' T8 28w/ELEE HI-8'	wrap	6	6	2L4' LED 13w/ELEE HI/RETUBE ONLY	retube 4' LED	1,764	0.4	0.3	0.1	677	455	222
1,178.0	Lafayette Elem	Classroom Classroom 1	1	2L4' T8 28w/ELEE HI-8'	wrap	3	3	2L4' LED 13w/ELEE HI/RETUBE ONLY	retube 4' LED	1,764	0.2	0.1	0.1	339	228	111
1,179.0	Lafayette Elem	Classroom Classroom 1	1	2L4' T8 28w/ELEE HI-8'	wrap	6	6	2L4' LED 13w/ELEE HI/RETUBE ONLY	retube 4' LED	1,764	0.4	0.3	0.1	677	455	222
1,180.0	Lafayette Elem	Hall Hall 2 To 7	1	2L4' T8 28w/ELEE	box acrylic	15	15	2L4' LED 13w/ELEE/RETUBE ONLY	retube 4' LED	3,620	0.7	0.5	0.2	2,606	1,738	869
1,189.0	JFK Elem	Hall Hall 2Nd Floor	2	2L4' T8 28w/ELEE	trof acr	3	3	2L4' LED 13w/ELEE/RETUBE ONLY	retube 4' LED	3,620	0.1	0.1	0.0	521	348	174
1,190.0	JFK Elem	Hall Hall 2Nd Floor	2	1L4' T8 28w/ELEE HI	wrap	15	15	1L4' LED 13w/ELEE HI/RETUBE ONLY	retube 4' LED	3,620	0.5	0.3	0.2	1,792	1,167	624
1,191.0	JFK Elem	Bath Bath Men	2	2L2' T8 15w/EL	trof acr	6	6	2L2' LED 7w/ELEE HI/RETUBE ONLY	retube 2' LED	2,324	0.2	0.2	0.0	460	376	84
1,192.0	JFK Elem	Bath Bath Staff	2	2L2' T8 15w/EL	trof acr	2	2	2L2' LED 7w/ELEE HI/RETUBE ONLY	retube 2' LED	2,324	0.1	0.1	0.0	153	125	28
1,193.0	JFK Elem	Closet Closet Clean	2	3x13W CF HARDWIRED	drum	1	1	NO RETRO	no change	350	0.0	0.0	0.0	16	16	0
1,194.0	JFK Elem	Bath Bath Girls	2	2L2' T8 15w/EL	trof acr	6	6	2L2' LED 7w/ELEE HI/RETUBE ONLY	retube 2' LED	2,324	0.2	0.2	0.0	460	376	84
1,195.0	JFK Elem	Bath Bath Staff	2	2L2' T8 15w/EL	trof acr	2	2	2L2' LED 7w/ELEE HI/RETUBE ONLY	retube 2' LED	2,324	0.1	0.1	0.0	153	125	28
1,196.0	JFK Elem	Classroom Classroom 12	2	2L4' T8 28w/ELEE HI-8'	wrap	3	3	2L4' LED 13w/ELEE HI/RETUBE ONLY	retube 4' LED	1,764	0.2	0.1	0.1	339	228	111
1,197.0	JFK Elem	Classroom Classroom 12	2	2L4' T8 28w/ELEE HI-8'	wrap	6	6	2L4' LED 13w/ELEE HI/RETUBE ONLY	retube 4' LED	1,764	0.4	0.3	0.1	677	455	222
1,198.0	JFK Elem	Classroom Classroom 13	2	2L4' T8 28w/ELEE HI-8'	wrap	3	3	2L4' LED 13w/ELEE HI/RETUBE ONLY	retube 4' LED	1,764	0.2	0.1	0.1	339	228	111
1,199.0	JFK Elem	Classroom Classroom 13	2	2L4' T8 28w/ELEE HI-8'	wrap	6	6	2L4' LED 13w/ELEE HI/RETUBE ONLY	retube 4' LED	1,764	0.4	0.3	0.1	677	455	222
1,200.0	JFK Elem	Classroom Classroom 14	2	2L4' T8 28w/ELEE HI-8'	wrap	3	3	2L4' LED 13w/ELEE HI/RETUBE ONLY	retube 4' LED	1,764	0.2	0.1	0.1	339	228	111
1,201.0	JFK Elem	Classroom Classroom 14	2	2L4' T8 28w/ELEE HI-8'	wrap	6	6	2L4' LED 13w/ELEE HI/RETUBE ONLY	retube 4' LED	1,764	0.4	0.3	0.1	677	455	222
1,202.0	JFK Elem	Classroom Classroom 15	2	2L4' T8 28w/ELEE HI-8'	wrap	3	3	2L4' LED 13w/ELEE HI/RETUBE ONLY	retube 4' LED	1,764	0.2	0.1	0.1	339	228	111
1,203.0	JFK Elem	Classroom Classroom 15	2	2L4' T8 28w/ELEE HI-8'	wrap	6	6	2L4' LED 13w/ELEE HI/RETUBE ONLY	retube 4' LED	1,764	0.4	0.3	0.1	677	455	222
1,204.0	JFK Elem	Classroom Classroom 16	2	2L4' T8 28w/ELEE HI-8'	wrap	3	3	2L4' LED 13w/ELEE HI/RETUBE ONLY	retube 4' LED	1,764	0.2	0.1	0.1	339	228	111
1,205.0	JFK Elem	Classroom Classroom 16	2	2L4' T8 28w/ELEE HI-8'	wrap	6	6	2L4' LED 13w/ELEE HI/RETUBE ONLY	retube 4' LED	1,764	0.4	0.3	0.1	677	455	222
1,206.0	JFK Elem	Classroom Classroom 17	2	2L4' T8 28w/ELEE HI-8'	wrap	3	3	2L4' LED 13w/ELEE HI/RETUBE ONLY	retube 4' LED	1,764	0.2	0.1	0.1	339	228	111
1,207.0	JFK Elem	Classroom Classroom 17	2	2L4' T8 28w/ELEE HI-8'	wrap	6	6	2L4' LED 13w/ELEE HI/RETUBE ONLY	retube 4' LED	1,764	0.4	0.3	0.1	677	455	222
1,208.0	JFK Elem	Classroom Classroom 18	2	2L4' T8 28w/ELEE HI-8'	wrap	3	3	2L4' LED 13w/ELEE HI/RETUBE ONLY	retube 4' LED	1,764	0.2	0.1	0.1	339	228	111
1,209.0	JFK Elem	Classroom Classroom 18	2	2L4' T8 28w/ELEE HI-8'	wrap	6	6	2L4' LED 13w/ELEE HI/RETUBE ONLY	retube 4' LED	1,764	0.4	0.3	0.1	677	455	222
1,210.0	JFK Elem	Classroom Classroom 19	2	2L4' T8 28w/ELEE HI-8'	wrap	3	3	2L4' LED 13w/ELEE HI/RETUBE ONLY	retube 4' LED	1,764	0.2	0.1	0.1	339	228	111
1,211.0	JFK Elem	Classroom Classroom 19	2	2L4' T8 28w/ELEE HI-8'	wrap	6	6	2L4' LED 13w/ELEE HI/RETUBE ONLY	retube 4' LED	1,764	0.4	0.3	0.1	677	455	222
1,212.0	JFK Elem	Classroom Classroom 20	2	2L4' T8 28w/ELEE HI-8'	wrap	3	3	2L4' LED 13w/ELEE HI/RETUBE ONLY	retube 4' LED	1,764	0.2	0.1	0.1	339	228	111
1,213.0	JFK Elem	Classroom Classroom 20	2	2L4' T8 28w/ELEE HI-8'	wrap	6	6	2L4' LED 13w/ELEE HI/RETUBE ONLY	retube 4' LED	1,764	0.4	0.3	0.1	677	455	222
1,214.0	JFK Elem	Classroom Classroom 21	2	2L4' T8 28w/ELEE HI-8'	wrap	3	3	2L4' LED 13w/ELEE HI/RETUBE ONLY	retube 4' LED	1,764	0.2	0.1	0.1	339	228	111
1,215.0	JFK Elem	Classroom Classroom 21	2	2L4' T8 28w/ELEE HI-8'	wrap	6	6	2L4' LED 13w/ELEE HI/RETUBE ONLY	retube 4' LED	1,764	0.4	0.3	0.1	677	455	222
1,216.0	JFK Elem	Classroom Classroom 22	2	2L4' T8 28w/ELEE HI-8'	wrap	3	3	2L4' LED 13w/ELEE HI/RETUBE ONLY	retube 4' LED	1,764	0.2	0.1	0.1	339	228	111
1,217.0	JFK Elem	Classroom Classroom 22	2	2L4' T8 28w/ELEE HI-8'	wrap	6	6	2L4' LED 13w/ELEE HI/RETUBE ONLY	retube 4' LED	1,764	0.4	0.3	0.1	677	455	222
1,218.0	JFK Elem	Classroom Classroom 23	2	2L4' T8 28w/ELEE HI-8'	wrap	3	3	2L4' LED 13w/ELEE HI/RETUBE ONLY	retube 4' LED	1,764	0.2	0.1	0.1	339	228	111
1,219.0	JFK Elem	Classroom Classroom 23	2	2L4' T8 28w/ELEE HI-8'	wrap	6	6	2L4' LED 13w/ELEE HI/RETUBE ONLY	retube 4' LED	1,764	0.4	0.3	0.1	677	455	222
1,220.0	JFK Elem	Stair Stair 2	s	3x13W CF HARDWIRED	drum	3	3	NO RETRO	no change	3,620	0.1	0.1	0.0	489	489	0
1,221.0	JFK Elem	Stair Stair 2	s	1L4' T8 28w/ELEE HI	wrap	2	2	1L4' LED 13w/ELEE HI/RETUBE ONLY	retube 4' LED	3,620	0.1	0.0	0.0	239	156	83
1,222.0	JFK Elem	Stair Stair 1	s	3x13W CF HARDWIRED	drum	3	3	NO RETRO	no change	3,620	0.1	0.1	0.0	489	489	0
1,223.0	JFK Elem	Stair Stair 1	s	1L4' T8 28w/ELEE HI	wrap	2	2	1L4' LED 13w/ELEE HI/RETUBE ONLY	retube 4' LED	3,620	0.1	0.0	0.0	239	156	83
1,224.0	JFK Elem	Classroom Classroom 102B	1	2L4' T8 28w/ELEE HI	trof acrylic dbl switch	6	6	2L4' LED 13w/ELEE HI/RETUBE ONLY	retube 4' LED	1,764	0.4	0.3	0.1	677	455	222
1,225.0	JFK Elem	Classroom Classroom 102A	1	2L4' T8 28w/ELEE HI	trof acrylic dbl switch	6	6	2L4' LED 13w/ELEE HI/RETUBE ONLY	retube 4' LED	1,764	0.4	0.3	0.1	677	455	222
1,226.0	JFK Elem	Classroom Classroom 101B	1	2L4' T8 28w/ELEE HI	trof acrylic dbl switch	6	6	2L4' LED 13w/ELEE HI/RETUBE ONLY	retube 4' LED	1,764	0.4	0.3	0.1	677	455	222



Wayne NJ

Phase 2 Lighting Scope of Work

Line	Building Name	Location	FI	Pre Fixture Description	Pre Fixture Style	Pre Qty	Pre Qty In Scope	Post Fixture Description	Post Fixture Style	Annual Hours	Pre kW	Post kW	kW Saved Coin.	Pre kWh	Post kWh	kWh Saved
1,336.0	Wayne Valley hs	Bath Bath 220Wt	2	2L4' T8 28w/ELEE LO-8'	wrap	1	1	2L4' LED 13w/ELEE LO/RETUBE ONLY	retube 4' LED	3,640	0.0	0.0	0.0	153	102	51
1,337.0	Wayne Valley hs	Bath Bath 220Wt	2	1L4' T8 28w/ELEE HI	wrap	1	1	1L4' LED 13w/ELEE HI/RETUBE ONLY	retube 4' LED	3,640	0.0	0.0	0.0	120	78	42
1,338.0	Wayne Valley hs	Bath Bath 220Wt	2	1L4' T8 28w/ELEE LO	vanity	1	1	1L4' LED 13w/ELEE LO/RETUBE ONLY	retube 4' LED	3,640	0.0	0.0	0.0	80	51	29
1,339.0	Wayne Valley hs	Bath Bath 220Mt	2	2L4' T8 28w/ELEE LO-8'	wrap	1	1	2L4' LED 13w/ELEE LO/RETUBE ONLY	retube 4' LED	3,640	0.0	0.0	0.0	153	102	51
1,340.0	Wayne Valley hs	Bath Bath 220Mt	2	1L4' T8 28w/ELEE HI	wrap	1	1	1L4' LED 13w/ELEE HI/RETUBE ONLY	retube 4' LED	3,640	0.0	0.0	0.0	120	78	42
1,341.0	Wayne Valley hs	Bath Bath 220Mt	2	1L4' T8 28w/ELEE LO	vanity	1	1	1L4' LED 13w/ELEE LO/RETUBE ONLY	retube 4' LED	3,640	0.0	0.0	0.0	80	51	29
1,342.0	Wayne Valley hs	Bath Bath 220Bt	2	2L4' T8 28w/ELEE LO-8'	wrap	1	1	2L4' LED 13w/ELEE LO/RETUBE ONLY	retube 4' LED	3,640	0.0	0.0	0.0	153	102	51
1,343.0	Wayne Valley hs	Bath Bath 220Bt	2	1L4' T8 28w/ELEE HI	wrap	1	1	1L4' LED 13w/ELEE HI/RETUBE ONLY	retube 4' LED	3,640	0.0	0.0	0.0	120	78	42
1,344.0	Wayne Valley hs	Bath Bath 220Bt	2	1L4' T8 28w/ELEE LO	vanity	1	1	1L4' LED 13w/ELEE LO/RETUBE ONLY	retube 4' LED	3,640	0.0	0.0	0.0	80	51	29
1,345.0	Wayne Valley hs	Closet Closet Clean	2	23W CF SCREW IN	hat	1		NO RETRO	no change	350	0.0	0.0		9	9	
1,346.0	Wayne Valley hs	Bath Bath 220Gt	2	2L4' T8 28w/ELEE LO-8'	wrap	1	1	2L4' LED 13w/ELEE LO/RETUBE ONLY	retube 4' LED	3,640	0.0	0.0	0.0	153	102	51
1,347.0	Wayne Valley hs	Bath Bath 220Gt	2	1L4' T8 28w/ELEE HI	wrap	1	1	1L4' LED 13w/ELEE HI/RETUBE ONLY	retube 4' LED	3,640	0.0	0.0	0.0	120	78	42
1,348.0	Wayne Valley hs	Bath Bath 220Gt	2	1L4' T8 28w/ELEE LO	vanity	1	1	1L4' LED 13w/ELEE LO/RETUBE ONLY	retube 4' LED	3,640	0.0	0.0	0.0	80	51	29
1,349.0	Wayne Valley hs	Stair Stair 4	s	1L4' T8 28w/ELEE HI	wrap	4	4	1L4' LED 13w/ELEE HI/RETUBE ONLY	retube 4' LED	3,640	0.1	0.1	0.0	480	313	167
1,350.0	Wayne Valley hs	Hall Hall 219 To 217	2	1L4' T8 28w/ELEE HI	wrap	14	14	1L4' LED 13w/ELEE HI/RETUBE ONLY	retube 4' LED	3,640	0.5	0.3	0.2	1,682	1,096	586
1,351.0	Wayne Valley hs	Classroom Classroom 219	2	2L4' T8 28w/ELEE HI-8'	wrap	16	16	2L4' LED 13w/ELEE HI/RETUBE ONLY	retube 4' LED	1,988	1.0	0.7	0.3	2,036	1,368	668
1,352.0	Wayne Valley hs	Storage Storage 219	2	2L4' T8 28w/ELEE LO	industrial	1	1	2L4' LED 13w/ELEE LO/RETUBE ONLY	retube 4' LED	350	0.0	0.0	0.0	15	10	5
1,353.0	Wayne Valley hs	Office Office 219	2	1L4' T8 28w/ELEE HI	wrap	1	1	1L4' LED 13w/ELEE HI/RETUBE ONLY	retube 4' LED	1,988	0.0	0.0	0.0	66	43	23
1,354.0	Wayne Valley hs	Storage Storage Kiln	2	2L4' T8 28w/ELEE HI-8'	wrap	2	2	2L4' LED 13w/ELEE HI/RETUBE ONLY	retube 4' LED	1,708	0.1	0.1	0.0	219	147	72
1,355.0	Wayne Valley hs	Office Office 218	2	1L4' T8 28w/ELEE HI	wrap	2	2	1L4' LED 13w/ELEE HI/RETUBE ONLY	retube 4' LED	1,988	0.1	0.0	0.0	131	85	46
1,356.0	Wayne Valley hs	Office Office 218	2	2L4' T8 28w/ELEE LO	strip	1	1	2L4' LED 13w/ELEE LO/RETUBE ONLY	retube 4' LED	1,988	0.0	0.0	0.0	83	56	28
1,357.0	Wayne Valley hs	Classroom Classroom 218	2	2L4' T8 28w/ELEE HI-8'	wrap	16	16	2L4' LED 13w/ELEE HI/RETUBE ONLY	retube 4' LED	1,988	1.0	0.7	0.3	2,036	1,368	668
1,358.0	Wayne Valley hs	Storage Storage Supplies	2	1L4' T8 28w/ELEE HI	wrap	1	1	1L4' LED 13w/ELEE HI/RETUBE ONLY	retube 4' LED	2,440	0.0	0.0	0.0	81	52	28
1,359.0	Wayne Valley hs	Office Office 218	2	1L4' T8 28w/ELEE HI	wrap	1	1	1L4' LED 13w/ELEE HI/RETUBE ONLY	retube 4' LED	1,988	0.0	0.0	0.0	66	43	23
1,360.0	Wayne Valley hs	Storage Storage By 218	2	1L4' T8 28w/ELEE HI	wrap	6	6	1L4' LED 13w/ELEE HI/RETUBE ONLY	retube 4' LED	1,708	0.2	0.1	0.1	338	220	118
1,361.0	Wayne Valley hs	Classroom Classroom 217	2	2L4' T8 28w/ELEE HI-8'	wrap	9	9	2L4' LED 13w/ELEE HI/RETUBE ONLY	retube 4' LED	1,988	0.6	0.4	0.2	1,145	769	376
1,362.0	Wayne Valley hs	Stair Stair 5	s	2L4' T8 28w/ELEE LO-8'	wrap	3	3	2L4' LED 13w/ELEE LO/RETUBE ONLY	retube 4' LED	3,640	0.1	0.1	0.0	459	306	153
1,363.0	Wayne Valley hs	Stair Stair 5	s	1L4' T8 28w/ELEE HI	wrap	1	1	1L4' LED 13w/ELEE HI/RETUBE ONLY	retube 4' LED	3,640	0.0	0.0	0.0	120	78	42
1,364.0	Wayne Valley hs	Hall Hall Foot Bridge	2	2L4' T8 28w/ELEE LO	trof acr	3	3	2L4' LED 13w/ELEE LO/RETUBE ONLY	retube 4' LED	1,820	0.1	0.1	0.0	229	153	76
1,365.0	Wayne Valley hs	Hall Hall Foot Bridge	2	2L4' T8 28w/ELEE LO	trof acr	4	4	2L4' LED 13w/ELEE LO/RETUBE ONLY	retube 4' LED	2,548	0.2	0.1	0.0	428	285	143
1,366.0	Wayne Valley hs	Hall Hall 256 To Foot Bridge	2	4L4' T8 28w/ELEE LO	decorative	1	1	4L4' LED 13w/ELEE LO/RETUBE ONLY	retube 4' LED	3,640	0.1	0.1	0.0	302	204	98
1,367.0	Wayne Valley hs	Hall Hall 256 To Foot Bridge	2	2L4' T8 28w/ELEE LO	trof acr	3	3	2L4' LED 13w/ELEE LO/RETUBE ONLY	retube 4' LED	1,820	0.1	0.1	0.0	229	153	76
1,368.0	Wayne Valley hs	Hall Hall 256 To Foot Bridge	2	2L4' T8 28w/ELEE LO	trof acr	11	11	2L4' LED 13w/ELEE LO/RETUBE ONLY	retube 4' LED	2,548	0.5	0.3	0.1	1,177	785	392
1,369.0	Wayne Valley hs	Hall Hall 256 To Foot Bridge	2	4L4' T8 28w/ELEE LO	decorative	4	4	4L4' LED 13w/ELEE LO/RETUBE ONLY	retube 4' LED	2,548	0.3	0.2	0.1	846	571	275
1,370.0	Wayne Valley hs	Stair Stair By 250	s	150w METAL HALIDE	indirect	3		NO RETRO	no change	2,548	0.6	0.6		1,452	1,452	
1,371.0	Wayne Valley hs	Stair Stair By 250	s	2L4' T8 28w/ELEE LO	trof acr	1	1	2L4' LED 13w/ELEE LO/RETUBE ONLY	retube 4' LED	2,548	0.0	0.0	0.0	107	71	36
1,372.0	Wayne Valley hs	Stair Stair By 256	s	2L4' T8 28w/ELEE LO	trof acr	3	3	2L4' LED 13w/ELEE LO/RETUBE ONLY	retube 4' LED	3,640	0.1	0.1	0.0	459	306	153
1,373.0	Wayne Valley hs	Stair Stair By 256	s	2L4' T8 28w/ELEE LO	trof acr	1	1	2L4' LED 13w/ELEE LO/RETUBE ONLY	retube 4' LED	3,640	0.0	0.0	0.0	153	102	51
1,374.0	Wayne Valley hs	Classroom Classroom 256	2	2L4' T8 28w/ELEE HI	trof para dbl switch	15	15	2L4' LED 13w/ELEE HI/RETUBE ONLY	retube 4' LED	1,988	1.0	0.6	0.3	1,908	1,282	626
1,375.0	Wayne Valley hs	Classroom Classroom 253	2	2L4' T8 28w/ELEE HI	trof para dbl switch	15	15	2L4' LED 13w/ELEE HI/RETUBE ONLY	retube 4' LED	1,988	1.0	0.6	0.3	1,908	1,282	626
1,376.0	Wayne Valley hs	Storage Storage 253Sc	2	1L4' T8 28w/ELEE HI	wrap	4	4	1L4' LED 13w/ELEE HI/RETUBE ONLY	retube 4' LED	350	0.1	0.1	0.0	46	30	16
1,377.0	Wayne Valley hs	Storage Storage 253Sc	2	1L4' T8 28w/ELEE HI	wrap	1	1	1L4' LED 13w/ELEE HI/RETUBE ONLY	retube 4' LED	350	0.0	0.0	0.0	12	8	4
1,378.0	Wayne Valley hs	Classroom Classroom 254	2	2L4' T8 28w/ELEE HI	trof para dbl switch	15	15	2L4' LED 13w/ELEE HI/RETUBE ONLY	retube 4' LED	1,988	1.0	0.6	0.3	1,908	1,282	626
1,379.0	Wayne Valley hs	Storage Storage Prep Room	2	2L4' T8 28w/ELEE HI	trof parabolic	3	3	2L4' LED 13w/ELEE HI/RETUBE ONLY	retube 4' LED	350	0.2	0.1	0.1	67	45	22
1,380.0	Wayne Valley hs	Bath Bath 251Gr	2	2L2' F40 BIAX/EL	trof acr	1		NO RETRO	no change	2,548	0.1	0.1		161	161	
1,381.0	Wayne Valley hs	Bath Bath 251Gr	2	2L4' T8 28w/ELEE LO	trof acr	3	3	2L4' LED 13w/ELEE LO/RETUBE ONLY	retube 4' LED	2,548	0.1	0.1	0.0	321	214	107
1,382.0	Wayne Valley hs	Closet Closet 251Jc	2	1L4' T8 28w/ELEE HI	wrap	1	1	1L4' LED 13w/ELEE HI/RETUBE ONLY	retube 4' LED	350	0.0	0.0	0.0	12	8	4
1,383.0	Wayne Valley hs	Bath Bath 251Br	2	2L2' F40 BIAX/EL	trof acr	1		NO RETRO	no change	2,548	0.1	0.1		161	161	
1,384.0	Wayne Valley hs	Bath Bath 251Br	2	2L4' T8 28w/ELEE LO	trof acr	3	3	2L4' LED 13w/ELEE LO/RETUBE ONLY	retube 4' LED	2,548	0.1	0.1	0.0	321	214	107
1,385.0	Wayne Valley hs	Classroom Classroom 251	2	2L4' T8 28w/ELEE HI	trof para dbl switch	9	9	2L4' LED 13w/ELEE HI/RETUBE ONLY	retube 4' LED	1,988	0.6	0.4	0.2	1,145	769	376
1,386.0	Wayne Valley hs	Classroom Classroom 249	2	2L4' T8 28w/ELEE HI	trof para dbl switch	9	9	2L4' LED 13w/ELEE HI/RETUBE ONLY	retube 4' LED	1,988	0.6	0.4	0.2	1,145	769	376



Line	Building Name	Location	FI	Pre Fixture Description	Pre Fixture Style	Pre Qty	Pre Qty In Scope	Post Fixture Description	Post Fixture Style	Annual Hours	Pre kW	Post kW	kW Saved Coin.	Pre kWH	Post kWH	kWH Saved
1,387.0	Wayne Valley hs	Classroom Classroom 252	2	2L4' T8 28w/ELEE HI	trof para dbl switch	8	8	2L4' LED 13w/ELEE HI/RETUBE ONLY	retube 4' LED	1,988	0.5	0.3	0.1	1,018	684	334
1,388.0	Wayne Valley hs	Classroom Classroom 250	2	2L4' T8 28w/ELEE HI	trof para dbl switch	8	8	2L4' LED 13w/ELEE HI/RETUBE ONLY	retube 4' LED	1,988	0.5	0.3	0.1	1,018	684	334
1,389.0	Wayne Valley hs	Classroom Classroom 248	2	2L4' T8 28w/ELEE HI-8'	wrap	6	6	2L4' LED 13w/ELEE HI/RETUBE ONLY	retube 4' LED	1,988	0.4	0.3	0.1	763	513	250
1,390.0	Wayne Valley hs	Classroom Classroom 248	2	1L4' T8 28w/ELEE HI	wrap	2	2	1L4' LED 13w/ELEE HI/RETUBE ONLY	retube 4' LED	1,988	0.1	0.0	0.0	131	85	46
1,391.0	Wayne Valley hs	Classroom Classroom 247	2	2L4' T8 28w/ELEE HI-8'	wrap	6	6	2L4' LED 13w/ELEE HI/RETUBE ONLY	retube 4' LED	1,988	0.4	0.3	0.1	763	513	250
1,392.0	Wayne Valley hs	Classroom Classroom 247	2	1L4' T8 28w/ELEE HI	wrap	3	3	1L4' LED 13w/ELEE HI/RETUBE ONLY	retube 4' LED	1,988	0.1	0.1	0.0	197	128	69
1,393.0	Wayne Valley hs	Classroom Classroom 246	2	2L4' T8 28w/ELEE HI-8'	wrap	6	6	2L4' LED 13w/ELEE HI/RETUBE ONLY	retube 4' LED	1,988	0.4	0.3	0.1	763	513	250
1,394.0	Wayne Valley hs	Classroom Classroom 246	2	1L4' T8 28w/ELEE HI	wrap	3	3	1L4' LED 13w/ELEE HI/RETUBE ONLY	retube 4' LED	1,988	0.1	0.1	0.0	197	128	69
1,395.0	Wayne Valley hs	Classroom Classroom 245	2	2L4' T8 28w/ELEE HI-8'	wrap	6	6	2L4' LED 13w/ELEE HI/RETUBE ONLY	retube 4' LED	1,988	0.4	0.3	0.1	763	513	250
1,396.0	Wayne Valley hs	Classroom Classroom 245	2	1L4' T8 28w/ELEE HI	wrap	3	3	1L4' LED 13w/ELEE HI/RETUBE ONLY	retube 4' LED	1,988	0.1	0.1	0.0	197	128	69
1,397.0	Wayne Valley hs	Office Office 244	2	2L4' T8 28w/ELEE HI-8'	wrap	4	4	2L4' LED 13w/ELEE HI/RETUBE ONLY	retube 4' LED	1,988	0.3	0.2	0.1	509	342	167
1,398.0	Wayne Valley hs	Mechanical Mechanical 243	2	2L2' T8 15w/EL LO	wrap	3	3	2L2' LED 7w/ELEE LO/RETUBE ONLY	retube 2' LED	500	0.1	0.1	0.0	36	26	11
1,399.0	Wayne Valley hs	Hall Hall 248 To 237	2	1L4' T8 28w/ELEE HI	wrap	26	26	1L4' LED 13w/ELEE HI/RETUBE ONLY	retube 4' LED	3,640	0.9	0.6	0.3	3,123	2,035	1,088
1,400.0	Wayne Valley hs	Hall Hall Display Case	2	1L4' T8 28w/ELEE LO	strip	2	2	1L4' LED 13w/ELEE LO/RETUBE ONLY	retube 4' LED	3,640	0.0	0.0	0.0	160	102	58
1,401.0	Wayne Valley hs	Classroom Classroom 243	2	2L4' T8 28w/ELEE HI-8'	wrap	6	6	2L4' LED 13w/ELEE HI/RETUBE ONLY	retube 4' LED	1,988	0.4	0.3	0.1	763	513	250
1,402.0	Wayne Valley hs	Classroom Classroom 243	2	1L4' T8 28w/ELEE HI	wrap	3	3	1L4' LED 13w/ELEE HI/RETUBE ONLY	retube 4' LED	1,988	0.1	0.1	0.0	197	128	69
1,403.0	Wayne Valley hs	Classroom Classroom 242	2	2L4' T8 28w/ELEE HI-8'	wrap	6	6	2L4' LED 13w/ELEE HI/RETUBE ONLY	retube 4' LED	1,988	0.4	0.3	0.1	763	513	250
1,404.0	Wayne Valley hs	Classroom Classroom 242	2	1L4' T8 28w/ELEE HI	wrap	3	3	1L4' LED 13w/ELEE HI/RETUBE ONLY	retube 4' LED	1,988	0.1	0.1	0.0	197	128	69
1,405.0	Wayne Valley hs	Office Office 233	2	2L4' T8 28w/ELEE HI-8'	wrap	2	2	2L4' LED 13w/ELEE HI/RETUBE ONLY	retube 4' LED	1,988	0.1	0.1	0.0	254	171	83
1,406.0	Wayne Valley hs	Office Office 233	2	1L4' T8 28w/ELEE HI	wrap	2	2	1L4' LED 13w/ELEE HI/RETUBE ONLY	retube 4' LED	1,988	0.1	0.0	0.0	131	85	46
1,407.0	Wayne Valley hs	Office Office 241	2	2L4' T8 28w/ELEE HI-8'	wrap	4	4	2L4' LED 13w/ELEE HI/RETUBE ONLY	retube 4' LED	1,988	0.3	0.2	0.1	509	342	167
1,408.0	Wayne Valley hs	Office Office 240	2	2L4' T8 28w/ELEE HI-8'	wrap	4	4	2L4' LED 13w/ELEE HI/RETUBE ONLY	retube 4' LED	1,988	0.3	0.2	0.1	509	342	167
1,409.0	Wayne Valley hs	Classroom Classroom 234	2	2L4' T8 28w/ELEE HI-8'	wrap	6	6	2L4' LED 13w/ELEE HI/RETUBE ONLY	retube 4' LED	1,988	0.4	0.3	0.1	763	513	250
1,410.0	Wayne Valley hs	Classroom Classroom 234	2	1L4' T8 28w/ELEE HI	wrap	3	3	1L4' LED 13w/ELEE HI/RETUBE ONLY	retube 4' LED	1,988	0.1	0.1	0.0	197	128	69
1,411.0	Wayne Valley hs	Classroom Classroom 239	2	2L4' T8 28w/ELEE HI-8'	wrap	6	6	2L4' LED 13w/ELEE HI/RETUBE ONLY	retube 4' LED	1,988	0.4	0.3	0.1	763	513	250
1,412.0	Wayne Valley hs	Classroom Classroom 239	2	1L4' T8 28w/ELEE HI	wrap	3	3	1L4' LED 13w/ELEE HI/RETUBE ONLY	retube 4' LED	1,988	0.1	0.1	0.0	197	128	69
1,413.0	Wayne Valley hs	Classroom Classroom 235	2	2L4' T8 28w/ELEE HI-8'	wrap	6	6	2L4' LED 13w/ELEE HI/RETUBE ONLY	retube 4' LED	1,988	0.4	0.3	0.1	763	513	250
1,414.0	Wayne Valley hs	Classroom Classroom 235	2	1L4' T8 28w/ELEE HI	wrap	3	3	1L4' LED 13w/ELEE HI/RETUBE ONLY	retube 4' LED	1,988	0.1	0.1	0.0	197	128	69
1,415.0	Wayne Valley hs	Classroom Classroom 238	2	2L4' T8 28w/ELEE HI-8'	wrap	6	6	2L4' LED 13w/ELEE HI/RETUBE ONLY	retube 4' LED	1,988	0.4	0.3	0.1	763	513	250
1,416.0	Wayne Valley hs	Classroom Classroom 238	2	1L4' T8 28w/ELEE HI	wrap	3	3	1L4' LED 13w/ELEE HI/RETUBE ONLY	retube 4' LED	1,988	0.1	0.1	0.0	197	128	69
1,417.0	Wayne Valley hs	Classroom Classroom 236	2	2L4' T8 28w/ELEE HI-8'	wrap	6	6	2L4' LED 13w/ELEE HI/RETUBE ONLY	retube 4' LED	1,988	0.4	0.3	0.1	763	513	250
1,418.0	Wayne Valley hs	Classroom Classroom 236	2	1L4' T8 28w/ELEE HI	wrap	3	3	1L4' LED 13w/ELEE HI/RETUBE ONLY	retube 4' LED	1,988	0.1	0.1	0.0	197	128	69
1,419.0	Wayne Valley hs	Classroom Classroom 237	2	2L4' T8 28w/ELEE HI-8'	wrap	6	6	2L4' LED 13w/ELEE HI/RETUBE ONLY	retube 4' LED	1,988	0.4	0.3	0.1	763	513	250
1,420.0	Wayne Valley hs	Classroom Classroom 237	2	1L4' T8 28w/ELEE HI	wrap	3	3	1L4' LED 13w/ELEE HI/RETUBE ONLY	retube 4' LED	1,988	0.1	0.1	0.0	197	128	69
1,421.0	Wayne Valley hs	Stair Stair 6	s	2L4' T8 28w/ELEE LO-8'	wrap	2	2	2L4' LED 13w/ELEE LO/RETUBE ONLY	retube 4' LED	3,640	0.1	0.1	0.0	306	204	102
1,422.0	Wayne Valley hs	Stair Stair 6	s	2L4' T8 28w/ELEE LO-8'	wrap	1	1	2L4' LED 13w/ELEE LO/RETUBE ONLY	retube 4' LED	2,548	0.0	0.0	0.0	107	71	36
1,423.0	Wayne Valley hs	Stair Stair 6	s	1L4' T8 28w/ELEE HI	wrap	2	2	1L4' LED 13w/ELEE HI/RETUBE ONLY	retube 4' LED	3,640	0.1	0.0	0.0	240	157	84
1,424.0	Wayne Valley hs	Hall Hall 233 To 225	2	1L4' T8 28w/ELEE HI	wrap	8	8	1L4' LED 13w/ELEE HI/RETUBE ONLY	retube 4' LED	3,640	0.3	0.2	0.1	961	626	335
1,425.0	Wayne Valley hs	Hall Hall 233 To 225	2	2L4' T8 28w/ELEE LO	trof acr	11	11	2L4' LED 13w/ELEE LO/RETUBE ONLY	retube 4' LED	1,820	0.5	0.3	0.2	841	561	280
1,426.0	Wayne Valley hs	Closet Closet Clean	2	23W CF SCREWIN	hat	1		NO RETRO	no change	350	0.0	0.0		9	9	
1,427.0	Wayne Valley hs	Storage Storage 231	2	1L4' T8 28w/ELEE HI	wrap	2	2	1L4' LED 13w/ELEE HI/RETUBE ONLY	retube 4' LED	350	0.1	0.0	0.0	23	15	8
1,428.0	Wayne Valley hs	Office Office 230	2	1L4' T8 28w/ELEE HI	wrap	2	2	1L4' LED 13w/ELEE HI/RETUBE ONLY	retube 4' LED	1,988	0.1	0.0	0.0	131	85	46
1,429.0	Wayne Valley hs	Office Office 232	2	2L4' T8 28w/ELEE HI-8'	wrap	3	3	2L4' LED 13w/ELEE HI/RETUBE ONLY	retube 4' LED	1,988	0.2	0.1	0.1	382	256	125
1,430.0	Wayne Valley hs	Office Office 232	2	1L4' T8 28w/ELEE HI	wrap	3	3	1L4' LED 13w/ELEE HI/RETUBE ONLY	retube 4' LED	1,988	0.1	0.1	0.0	197	128	69
1,431.0	Wayne Valley hs	Office Office 229	2	1L4' T8 28w/ELEE HI	wrap	2	2	1L4' LED 13w/ELEE HI/RETUBE ONLY	retube 4' LED	1,988	0.1	0.0	0.0	131	85	46
1,432.0	Wayne Valley hs	Classroom Classroom 228	2	2L4' T8 28w/ELEE HI	trof para dbl switch	9	9	2L4' LED 13w/ELEE HI/RETUBE ONLY	retube 4' LED	1,988	0.6	0.4	0.2	1,145	769	376
1,433.0	Wayne Valley hs	Classroom Classroom 227	2	2L4' T8 28w/ELEE HI	trof para dbl switch	6	6	2L4' LED 13w/ELEE HI/RETUBE ONLY	retube 4' LED	1,988	0.4	0.3	0.1	763	513	250
1,434.0	Wayne Valley hs	Office Office 226	2	2L4' T8 28w/ELEE HI	trof para dbl switch	6	6	2L4' LED 13w/ELEE HI/RETUBE ONLY	retube 4' LED	1,988	0.4	0.3	0.1	763	513	250
1,435.0	Wayne Valley hs	Office Office 226Sc	2	2L4' T8 28w/ELEE HI	trof para dbl switch	9	9	2L4' LED 13w/ELEE HI/RETUBE ONLY	retube 4' LED	1,988	0.6	0.4	0.2	1,145	769	376
1,436.0	Wayne Valley hs	Hall Hall Stair 4 To Stair 3	2	1L4' T8 28w/ELEE HI	wrap	9	9	1L4' LED 13w/ELEE HI/RETUBE ONLY	retube 4' LED	3,640	0.3	0.2	0.1	1,081	704	377
1,437.0	Wayne Valley hs	Hall Hall Stair 3 To Stair 1	2	2L4' T8 28w/ELEE LO	trof acr	32	32	2L4' LED 13w/ELEE LO/RETUBE ONLY	retube 4' LED	3,640	1.3	0.9	0.4	4,892	3,261	1,631



Wayne NJ

Phase 2 Lighting Scope of Work

Line	Building Name	Location	FI	Pre Fixture Description	Pre Fixture Style	Pre Qty	Pre Qty In Scope	Post Fixture Description	Post Fixture Style	Annual Hours	Pre kW	Post kW	kW Saved Coin.	Pre kWh	Post kWh	kWh Saved
1,438.0	Wayne Valley hs	Stair Stair 3	s	1L4' T8 28w/ELEE HI	wrap	4	4	1L4' LED 13w/ELEE HI/RETUBE ONLY	retube 4' LED	3,640	0.1	0.1	0.0	480	313	167
1,439.0	Wayne Valley hs	Office Office Across From 216	2	2L4' T8 28w/ELEE LO	trof acr	1	1	2L4' LED 13w/ELEE LO/RETUBE ONLY	retube 4' LED	1,988	0.0	0.0	0.0	83	56	28
1,440.0	Wayne Valley hs	Closet Closet Clean	2	23W CF SCREW IN	hat	1		NO RETRO	no change	350	0.0	0.0		9	9	
1,441.0	Wayne Valley hs	Hall Hall 216	2	2L4' T8 28w/ELEE HI	wrap	2	2	2L4' LED 13w/ELEE HI/RETUBE ONLY	retube 4' LED	3,640	0.1	0.1	0.0	466	313	153
1,442.0	Wayne Valley hs	Closet Closet 216Gs	2	23W CF SCREW IN	keyless	1		NO RETRO	no change	500	0.0	0.0		13	13	
1,443.0	Wayne Valley hs	Closet Closet 206	2	2L4' T8 28w/ELEE HI	wrap	1	1	2L4' LED 13w/ELEE HI/RETUBE ONLY	retube 4' LED	350	0.1	0.0	0.0	22	15	7
1,444.0	Wayne Valley hs	Office Office 216	2	2L4' T8 28w/ELEE HI	wrap	4	4	2L4' LED 13w/ELEE HI/RETUBE ONLY	retube 4' LED	1,988	0.3	0.2	0.1	509	342	167
1,445.0	Wayne Valley hs	Classroom Classroom 215	2	2L4' T8 28w/ELEE HI	trof acr	8	8	2L4' LED 13w/ELEE HI/RETUBE ONLY	retube 4' LED	1,988	0.5	0.3	0.1	1,018	684	334
1,446.0	Wayne Valley hs	Classroom Classroom 213	2	2L4' T8 28w/ELEE HI-8'	wrap	4	4	2L4' LED 13w/ELEE HI/RETUBE ONLY	retube 4' LED	1,988	0.3	0.2	0.1	509	342	167
1,447.0	Wayne Valley hs	Classroom Classroom 213	2	1L4' T8 28w/ELEE HI	wrap	4	4	1L4' LED 13w/ELEE HI/RETUBE ONLY	retube 4' LED	1,988	0.1	0.1	0.0	262	171	91
1,448.0	Wayne Valley hs	Classroom Classroom 214	2	1L4' T8 28w/ELEE HI	wrap	8	8	1L4' LED 13w/ELEE HI/RETUBE ONLY	retube 4' LED	1,988	0.3	0.2	0.1	525	342	183
1,449.0	Wayne Valley hs	Classroom Classroom 212	2	2L4' T8 28w/ELEE HI	wrap	4	4	2L4' LED 13w/ELEE HI/RETUBE ONLY	retube 4' LED	1,988	0.3	0.2	0.1	509	342	167
1,450.0	Wayne Valley hs	Classroom Classroom 211	2	2L4' T8 28w/ELEE HI-8'	wrap	4	4	2L4' LED 13w/ELEE HI/RETUBE ONLY	retube 4' LED	1,988	0.3	0.2	0.1	509	342	167
1,451.0	Wayne Valley hs	Classroom Classroom 211	2	1L4' T8 28w/ELEE HI	wrap	4	4	1L4' LED 13w/ELEE HI/RETUBE ONLY	retube 4' LED	1,988	0.1	0.1	0.0	262	171	91
1,452.0	Wayne Valley hs	Office Office 209	2	2L2' T8 15w/EL LO	wrap	4	4	2L2' LED 7w/ELEE LO/RETUBE ONLY	retube 2' LED	1,988	0.1	0.1	0.0	191	135	56
1,453.0	Wayne Valley hs	Classroom Classroom 210	2	2L4' T8 28w/ELEE HI-8'	wrap	4	4	2L4' LED 13w/ELEE HI/RETUBE ONLY	retube 4' LED	1,988	0.3	0.2	0.1	509	342	167
1,454.0	Wayne Valley hs	Classroom Classroom 210	2	1L4' T8 28w/ELEE HI	wrap	4	4	1L4' LED 13w/ELEE HI/RETUBE ONLY	retube 4' LED	1,988	0.1	0.1	0.0	262	171	91
1,455.0	Wayne Valley hs	Storage Storage 210	2	1L4' T8 28w/ELEE HI	wrap	1	1	1L4' LED 13w/ELEE HI/RETUBE ONLY	retube 4' LED	350	0.0	0.0	0.0	12	8	4
1,456.0	Wayne Valley hs	Mechanical Mechanical Fan Room	2	32W CF SCREW IN	keyless	2		NO RETRO	no change	350	0.1	0.1		24	24	
1,457.0	Wayne Valley hs	Bath Bath 208Gt	2	1L4' T8 28w/ELEE HI	wrap	3	3	1L4' LED 13w/ELEE HI/RETUBE ONLY	retube 4' LED	3,640	0.1	0.1	0.0	360	235	126
1,458.0	Wayne Valley hs	Storage Storage 201	2	2L4' T8 28w/ELEE HI	wrap	2	2	2L4' LED 13w/ELEE HI/RETUBE ONLY	retube 4' LED	350	0.1	0.1	0.0	45	30	15
1,459.0	Wayne Valley hs	Office Office 208	2	1L4' T8 28w/ELEE HI	wrap	2	2	1L4' LED 13w/ELEE HI/RETUBE ONLY	retube 4' LED	1,988	0.1	0.0	0.0	131	85	46
1,460.0	Wayne Valley hs	Closet Closet 208Jc	2	23W CF SCREW IN	keyless	1		NO RETRO	no change	350	0.0	0.0		9	9	
1,461.0	Wayne Valley hs	Mechanical Mechanical Air Handle	2	23W CF SCREW IN	keyless	4		NO RETRO	no change	500	0.1	0.1		50	50	
1,462.0	Wayne Valley hs	Bath Bath 208Bt	2	1L4' T8 28w/ELEE HI	wrap	3	3	1L4' LED 13w/ELEE HI/RETUBE ONLY	retube 4' LED	3,640	0.1	0.1	0.0	360	235	126
1,463.0	Wayne Valley hs	Closet Closet 202	2	2L2' T8 15w/EL LO	wrap	2	2	2L2' LED 7w/ELEE LO/RETUBE ONLY	retube 2' LED	350	0.0	0.0	0.0	17	12	5
1,464.0	Wayne Valley hs	Stair Stair 2	s	1L4' T8 28w/ELEE HI	wrap	4	4	1L4' LED 13w/ELEE HI/RETUBE ONLY	retube 4' LED	3,640	0.1	0.1	0.0	480	313	167
1,465.0	Wayne Valley hs	Classroom Classroom 207	2	2L4' T8 28w/ELEE HI	trof acr	4	4	2L4' LED 13w/ELEE HI/RETUBE ONLY	retube 4' LED	1,988	0.3	0.2	0.1	509	342	167
1,466.0	Wayne Valley hs	Office Office 207A	2	1L4' T8 28w/ELEE HI	wrap	2	2	1L4' LED 13w/ELEE HI/RETUBE ONLY	retube 4' LED	1,988	0.1	0.0	0.0	131	85	46
1,467.0	Wayne Valley hs	Office Office 207B	2	1L4' T8 28w/ELEE HI	wrap	3	3	1L4' LED 13w/ELEE HI/RETUBE ONLY	retube 4' LED	1,988	0.1	0.1	0.0	197	128	69
1,468.0	Wayne Valley hs	Classroom Classroom 205	2	2L4' T8 28w/ELEE HI-8'	wrap	6	6	2L4' LED 13w/ELEE HI/RETUBE ONLY	retube 4' LED	1,988	0.4	0.3	0.1	763	513	250
1,469.0	Wayne Valley hs	Classroom Classroom 205	2	1L4' T8 28w/ELEE HI	wrap	2	2	1L4' LED 13w/ELEE HI/RETUBE ONLY	retube 4' LED	1,988	0.1	0.0	0.0	131	85	46
1,470.0	Wayne Valley hs	Classroom Classroom 206	2	2L4' T8 28w/ELEE HI-8'	wrap	4	4	2L4' LED 13w/ELEE HI/RETUBE ONLY	retube 4' LED	1,988	0.3	0.2	0.1	509	342	167
1,471.0	Wayne Valley hs	Classroom Classroom 206	2	1L4' T8 28w/ELEE HI	wrap	4	4	1L4' LED 13w/ELEE HI/RETUBE ONLY	retube 4' LED	1,988	0.1	0.1	0.0	262	171	91
1,472.0	Wayne Valley hs	Classroom Classroom 204	2	2L4' T8 28w/ELEE HI-8'	wrap	3	3	2L4' LED 13w/ELEE HI/RETUBE ONLY	retube 4' LED	1,988	0.2	0.1	0.1	382	256	125
1,473.0	Wayne Valley hs	Classroom Classroom 204	2	1L4' T8 28w/ELEE HI	wrap	3	3	1L4' LED 13w/ELEE HI/RETUBE ONLY	retube 4' LED	1,988	0.1	0.1	0.0	197	128	69
1,474.0	Wayne Valley hs	Office Office 203	2	1L4' T8 28w/ELEE HI	wrap	2	2	1L4' LED 13w/ELEE HI/RETUBE ONLY	retube 4' LED	1,988	0.1	0.0	0.0	131	85	46
1,475.0	Wayne Valley hs	Classroom Classroom 202	2	2L4' T8 28w/ELEE HI-8'	wrap	4	4	2L4' LED 13w/ELEE HI/RETUBE ONLY	retube 4' LED	1,988	0.3	0.2	0.1	509	342	167
1,476.0	Wayne Valley hs	Classroom Classroom 202	2	1L4' T8 28w/ELEE HI	wrap	4	4	1L4' LED 13w/ELEE HI/RETUBE ONLY	retube 4' LED	1,988	0.1	0.1	0.0	262	171	91
1,477.0	Wayne Valley hs	Classroom Classroom 203	2	1L4' T8 28w/ELEE HI	wrap	10	10	1L4' LED 13w/ELEE HI/RETUBE ONLY	retube 4' LED	1,988	0.3	0.2	0.1	656	427	229
1,478.0	Wayne Valley hs	Classroom Classroom 201	2	2L4' T8 28w/ELEE HI-8'	wrap	3	3	2L4' LED 13w/ELEE HI/RETUBE ONLY	retube 4' LED	1,988	0.2	0.1	0.1	382	256	125
1,479.0	Wayne Valley hs	Classroom Classroom 201	2	1L4' T8 28w/ELEE HI	wrap	3	3	1L4' LED 13w/ELEE HI/RETUBE ONLY	retube 4' LED	1,988	0.1	0.1	0.0	197	128	69
1,480.0	Wayne Valley hs	Classroom Classroom 200	2	2L4' T8 28w/ELEE HI-8'	wrap	4	4	2L4' LED 13w/ELEE HI/RETUBE ONLY	retube 4' LED	1,988	0.3	0.2	0.1	509	342	167
1,481.0	Wayne Valley hs	Classroom Classroom 200	2	1L4' T8 28w/ELEE HI	wrap	4	4	1L4' LED 13w/ELEE HI/RETUBE ONLY	retube 4' LED	1,988	0.1	0.1	0.0	262	171	91
1,482.0	Wayne Valley hs	Stair Stair 1	s	1L4' T8 28w/ELEE HI	wrap	4	4	1L4' LED 13w/ELEE HI/RETUBE ONLY	retube 4' LED	3,640	0.1	0.1	0.0	480	313	167
1,483.0	Wayne Valley hs	Hall Hall Stair 1 To Stair 2	1	2L2' T8 15w/EL	trof acr	12	12	2L2' LED 7w/ELEE/RETUBE ONLY	retube 2' LED	3,640	0.3	0.2	0.1	1,223	830	393
1,484.0	Wayne Valley hs	Office Open Office Open 124	1	2L4' T8 28w/ELEE HI-8'	wrap	3	3	2L4' LED 13w/ELEE HI/RETUBE ONLY	retube 4' LED	2,408	0.2	0.1	0.1	462	311	152
1,485.0	Wayne Valley hs	Office Open Office Open 124	1	1L4' T8 28w/ELEE HI	wrap	3	3	1L4' LED 13w/ELEE HI/RETUBE ONLY	retube 4' LED	2,408	0.1	0.1	0.0	238	155	83
1,486.0	Wayne Valley hs	Office Office 124A	1	1L4' T8 28w/ELEE HI	wrap	2	2	1L4' LED 13w/ELEE HI/RETUBE ONLY	retube 4' LED	1,988	0.1	0.0	0.0	131	85	46
1,487.0	Wayne Valley hs	Office Office 124B	1	1L4' T8 28w/ELEE HI	wrap	2	2	1L4' LED 13w/ELEE HI/RETUBE ONLY	retube 4' LED	1,988	0.1	0.0	0.0	131	85	46
1,488.0	Wayne Valley hs	Office Office 124C	1	1L4' T8 28w/ELEE HI	wrap	2	2	1L4' LED 13w/ELEE HI/RETUBE ONLY	retube 4' LED	1,988	0.1	0.0	0.0	131	85	46



Wayne NJ

Phase 2 Lighting Scope of Work

Line	Building Name	Location	FI	Pre Fixture Description	Pre Fixture Style	Pre Qty	Pre Qty In Scope	Post Fixture Description	Post Fixture Style	Annual Hours	Pre kW	Post kW	kW Saved Coin.	Pre kWh	Post kWh	kWh Saved
1,489.0	Wayne Valley hs	Office Office 124D	1	1L4' T8 28w/ELEE HI	wrap	2	2	1L4' LED 13w/ELEE HI/RETUBE ONLY	retube 4' LED	1,988	0.1	0.0	0.0	131	85	46
1,490.0	Wayne Valley hs	Storage Storage By Main Office	1	1L4' T8 28w/ELEE HI	wrap	1	1	1L4' LED 13w/ELEE HI/RETUBE ONLY	retube 4' LED	500	0.0	0.0	0.0	17	11	6
1,491.0	Wayne Valley hs	Office Office Principal	1	2L4' T8 28w/ELEE HI	trof acr	4	4	2L4' LED 13w/ELEE HI/RETUBE ONLY	retube 4' LED	1,988	0.3	0.2	0.1	509	342	167
1,492.0	Wayne Valley hs	Office Office Principal	1	23W CF HARDWIRED/EL	can rec vert 12"	2		NO RETRO	no change	1,988	0.1	0.1		99	99	
1,493.0	Wayne Valley hs	Hall Hall To Principals Bath	1	1L4' T8 28w/ELEE HI	wrap	1	1	1L4' LED 13w/ELEE HI/RETUBE ONLY	retube 4' LED	2,548	0.0	0.0	0.0	84	55	29
1,494.0	Wayne Valley hs	Bath Bath Principal	1	1L4' T8 28w/ELEE HI	wrap	1	1	1L4' LED 13w/ELEE HI/RETUBE ONLY	retube 4' LED	2,548	0.0	0.0	0.0	84	55	29
1,495.0	Wayne Valley hs	Office Open Office Open Main	1	2L4' T8 28w/ELEE HI	trof acr	11	11	2L4' LED 13w/ELEE HI/RETUBE ONLY	retube 4' LED	3,440	0.7	0.5	0.2	2,422	1,627	795
1,496.0	Wayne Valley hs	Office Open Office Open Main	1	2L2' T8 15w/EL	trof acr	2	2	2L2' LED 7w/ELEE HI/RETUBE ONLY	retube 2' LED	3,440	0.1	0.1	0.0	227	186	41
1,497.0	Wayne Valley hs	Closet Closet Telephone	1	1L4' T8 28w/ELEE HI	wrap	1	1	1L4' LED 13w/ELEE HI/RETUBE ONLY	retube 4' LED	350	0.0	0.0	0.0	12	8	4
1,498.0	Wayne Valley hs	Office Office 119	1	2L4' T8 28w/ELEE HI	trof acr	4	4	2L4' LED 13w/ELEE HI/RETUBE ONLY	retube 4' LED	1,988	0.3	0.2	0.1	509	342	167
1,499.0	Wayne Valley hs	Storage Storage Vault	1	23W CF SCREW IN	keyless	1		NO RETRO	no change	350	0.0	0.0		9	9	
1,500.0	Wayne Valley hs	Bath Bath Ladies	1	1L4' T8 28w/ELEE HI	wrap	1	1	1L4' LED 13w/ELEE HI/RETUBE ONLY	retube 4' LED	2,548	0.0	0.0	0.0	84	55	29
1,501.0	Wayne Valley hs	Storage Storage Copy	1	2L4' T8 28w/ELEE	trof acr	1	1	2L4' LED 13w/ELEE/RETUBE ONLY	retube 4' LED	1,708	0.0	0.0	0.0	82	55	27
1,502.0	Wayne Valley hs	Office Open Office Open Guidance	1	2L4' T8 28w/ELEE HI	trof acr	12	12	2L4' LED 13w/ELEE HI/RETUBE ONLY	retube 4' LED	2,408	0.8	0.5	0.2	1,849	1,243	607
1,503.0	Wayne Valley hs	Office Office 1	1	2L4' T8 28w/ELEE HI	trof acr	2	2	2L4' LED 13w/ELEE HI/RETUBE ONLY	retube 4' LED	1,988	0.1	0.1	0.0	254	171	83
1,504.0	Wayne Valley hs	Office Office 2	1	2L4' T8 28w/ELEE HI	trof acr	2	2	2L4' LED 13w/ELEE HI/RETUBE ONLY	retube 4' LED	1,988	0.1	0.1	0.0	254	171	83
1,505.0	Wayne Valley hs	Office Office 3	1	2L4' T8 28w/ELEE HI	trof acr	2	2	2L4' LED 13w/ELEE HI/RETUBE ONLY	retube 4' LED	1,988	0.1	0.1	0.0	254	171	83
1,506.0	Wayne Valley hs	Office Office 4	1	2L4' T8 28w/ELEE HI	trof acr	3	3	2L4' LED 13w/ELEE HI/RETUBE ONLY	retube 4' LED	1,988	0.2	0.1	0.1	382	256	125
1,507.0	Wayne Valley hs	Office Office 5	1	2L4' T8 28w/ELEE HI	trof acr	2	2	2L4' LED 13w/ELEE HI/RETUBE ONLY	retube 4' LED	1,988	0.1	0.1	0.0	254	171	83
1,508.0	Wayne Valley hs	Office Office 6	1	2L4' T8 28w/ELEE HI	trof acr	2	2	2L4' LED 13w/ELEE HI/RETUBE ONLY	retube 4' LED	1,988	0.1	0.1	0.0	254	171	83
1,509.0	Wayne Valley hs	Office Office 7	1	2L4' T8 28w/ELEE HI	trof acr	2	2	2L4' LED 13w/ELEE HI/RETUBE ONLY	retube 4' LED	1,988	0.1	0.1	0.0	254	171	83
1,510.0	Wayne Valley hs	Conference Conference Principal	1	2L4' T8 28w/ELEE HI	trof acr	9	9	2L4' LED 13w/ELEE HI/RETUBE ONLY	retube 4' LED	1,988	0.6	0.4	0.2	1,145	769	376
1,511.0	Wayne Valley hs	Storage Storage By Principal Conference Room	1	32W CF SCREW IN	hat	3		NO RETRO	no change	350	0.1	0.1		36	36	
1,512.0	Wayne Valley hs	Classroom Classroom 122 Iss	1	2L4' T8 28w/ELEE HI-8'	wrap	6	6	2L4' LED 13w/ELEE HI/RETUBE ONLY	retube 4' LED	1,988	0.4	0.3	0.1	763	513	250
1,513.0	Wayne Valley hs	Classroom Classroom 122 Iss	1	1L4' T8 28w/ELEE HI	wrap	3	3	1L4' LED 13w/ELEE HI/RETUBE ONLY	retube 4' LED	1,988	0.1	0.1	0.0	197	128	69
1,514.0	Wayne Valley hs	Office Open Office Open 120	1	2L4' T8 28w/ELEE HI	trof para dbl switch	3	3	2L4' LED 13w/ELEE HI/RETUBE ONLY	retube 4' LED	2,408	0.2	0.1	0.1	462	311	152
1,515.0	Wayne Valley hs	Office Office 120A	1	2L4' T8 28w/ELEE HI	trof para dbl switch	3	3	2L4' LED 13w/ELEE HI/RETUBE ONLY	retube 4' LED	1,988	0.2	0.1	0.1	382	256	125
1,516.0	Wayne Valley hs	Office Office 120B	1	2L4' T8 28w/ELEE HI	trof para dbl switch	4	4	2L4' LED 13w/ELEE HI/RETUBE ONLY	retube 4' LED	1,988	0.3	0.2	0.1	509	342	167
1,517.0	Wayne Valley hs	Lounge Lounge 118	1	2L4' T8 28w/ELEE HI-8'	wrap	4	4	2L4' LED 13w/ELEE HI/RETUBE ONLY	retube 4' LED	1,764	0.3	0.2	0.1	452	303	148
1,518.0	Wayne Valley hs	Lounge Lounge 118	1	1L4' T8 28w/ELEE HI	wrap	4	4	1L4' LED 13w/ELEE HI/RETUBE ONLY	retube 4' LED	1,764	0.1	0.1	0.0	233	152	81
1,519.0	Wayne Valley hs	Storage Storage 116Sc	1	1L4' T8 28w/ELEE HI	wrap	1	1	1L4' LED 13w/ELEE HI/RETUBE ONLY	retube 4' LED	500	0.0	0.0	0.0	17	11	6
1,520.0	Wayne Valley hs	Bath Bath 116Bt	1	2L4' T8 28w/ELEE HI	trof acr	3	3	2L4' LED 13w/ELEE HI/RETUBE ONLY	retube 4' LED	3,640	0.2	0.1	0.1	699	470	229
1,521.0	Wayne Valley hs	Storage Storage 116Bt	1	1L4' T8 28w/ELEE HI	wrap	1	1	1L4' LED 13w/ELEE HI/RETUBE ONLY	retube 4' LED	500	0.0	0.0	0.0	17	11	6
1,522.0	Wayne Valley hs	Closet Closet 116Jc	1	1L4' T8 28w/ELEE HI	wrap	2	2	1L4' LED 13w/ELEE HI/RETUBE ONLY	retube 4' LED	500	0.1	0.0	0.0	33	22	12
1,523.0	Wayne Valley hs	Lobby Lobby Main	1	2L4' T8 28w/ELEE HI	trof acr	9	9	2L4' LED 13w/ELEE HI/RETUBE ONLY	retube 4' LED	3,640	0.6	0.4	0.2	2,097	1,409	688
1,524.0	Wayne Valley hs	Lobby Lobby Main	1	2L2' T8 15w/EL	decorative	2	2	2L2' LED 7w/ELEE HI/RETUBE ONLY	retube 2' LED	3,640	0.1	0.1	0.0	240	197	44
1,525.0	Wayne Valley hs	Lobby Lobby Display Case	1	1L4' T8 28w/ELEE LO	trof opaque 6"	1	1	1L4' LED 13w/ELEE LO/RETUBE ONLY	retube 4' LED	3,640	0.0	0.0	0.0	80	51	29
1,526.0	Wayne Valley hs	Stage Stage	1	2L4' T8 28w/ELEE	wrap	8	8	2L4' LED 13w/ELEE/RETUBE ONLY	retube 4' LED	3,240	0.4	0.3	0.1	1,244	829	415
1,527.0	Wayne Valley hs	Auditorium Auditorium Seating Area	1	2L4' T8 28w/ELEE LO-8'	strip	14	14	2L4' LED 13w/ELEE LO/RETUBE ONLY	retube 4' LED	3,240	0.6	0.4	0.2	1,905	1,270	635
1,528.0	Wayne Valley hs	Auditorium Auditorium Seating Area	1	1L4' T8 28w/ELEE LO	strip	2	2	1L4' LED 13w/ELEE LO/RETUBE ONLY	retube 4' LED	3,240	0.0	0.0	0.0	143	91	52
1,529.0	Wayne Valley hs	Auditorium Auditorium Seating Area	1	22 WATT LED	can rec vert	35		NO RETRO	no change already LED	3,240	0.8	0.8		2,495	2,495	
1,530.0	Wayne Valley hs	Auditorium Auditorium Seating Area	1	21 WATT LED	can rec vert	33		NO RETRO	no change already LED	3,240	0.7	0.7		2,245	2,245	
1,531.0	Wayne Valley hs	Bath Bath 116Gt	1	2L4' T8 28w/ELEE HI	trof acr	2	2	2L4' LED 13w/ELEE HI/RETUBE ONLY	retube 4' LED	2,548	0.1	0.1	0.0	326	219	107
1,532.0	Wayne Valley hs	Closet Closet Clean	1	23W CF SCREW IN	keyless	1		NO RETRO	no change	350	0.0	0.0		9	9	
1,533.0	Wayne Valley hs	Hall Hall Auditorium To 100	1	2L2' T8 15w/EL	trof acr	21	21	2L2' LED 7w/ELEE/RETUBE ONLY	retube 2' LED	3,640	0.6	0.4	0.2	2,140	1,452	688
1,534.0	Wayne Valley hs	Hall Hall Auditorium To 100	1	1L4' T8 28w/ELEE HI	wrap	7	7	1L4' LED 13w/ELEE HI/RETUBE ONLY	retube 4' LED	2,548	0.2	0.2	0.1	589	383	205
1,535.0	Wayne Valley hs	Hall Hall Auditorium To 100	1	1L4' T8 28w/ELEE HI	wrap	5	5	1L4' LED 13w/ELEE HI/RETUBE ONLY	retube 4' LED	3,640	0.2	0.1	0.1	601	391	209
1,536.0	Wayne Valley hs	Hall Hall Display Cases	1	2L3' T8 21w/EL	vanity	4	4	2L3' LED 8.5w/ELEE/RETUBE ONLY	retube 3' LED	3,640	0.2	0.1	0.1	655	335	320
1,537.0	Wayne Valley hs	Hall Hall Vestibule	1	23W CF SCREW IN	square recessed	1		NO RETRO	no change	3,640	0.0	0.0		91	91	
1,538.0	Wayne Valley hs	Cafeteria Cafeteria Seating Area	1	2L4' T8 28w/ELEE HI	wrap	29	29	2L4' LED 13w/ELEE HI/RETUBE ONLY	retube 4' LED	3,440	1.9	1.2	0.6	6,385	4,290	2,095
1,539.0	Wayne Valley hs	Storage Storage Tables	1	2L4' T8 28w/ELEE HI	wrap	4	4	2L4' LED 13w/ELEE HI/RETUBE ONLY	retube 4' LED	500	0.3	0.2	0.1	128	86	42



Wayne NJ

Phase 2 Lighting Scope of Work

Line	Building Name	Location	FI	Pre Fixture Description	Pre Fixture Style	Pre Qty	Pre Qty In Scope	Post Fixture Description	Post Fixture Style	Annual Hours	Pre kW	Post kW	kW Saved	Pre kWh	Post kWh	kWh Saved
1,540.0	Wayne Valley hs	Classroom Classroom 109	1	2L4' T8 28w/ELEE HI-8'	wrap	9	9	2L4' LED 13w/ELEE HI/RETUBE ONLY	retube 4' LED	2,840	0.6	0.4	0.2	1,636	1,099	537
1,541.0	Wayne Valley hs	Classroom Classroom 107 Tv Studio	1	2L2' T8 15w/EL	trof acr	16	16	2L2' LED 7w/ELEE HI/RETUBE ONLY	retube 2' LED	1,988	0.5	0.4	0.1	1,050	859	191
1,542.0	Wayne Valley hs	Office Office 107 Tv Studio	1	2L2' T8 15w/EL	trof acr	6	6	2L2' LED 7w/ELEE HI/RETUBE ONLY	retube 2' LED	1,988	0.2	0.2	0.0	394	322	72
1,543.0	Wayne Valley hs	Office Office 107 Tv Studio	1	2L2' T8 15w/EL	trof acr	6	6	2L2' LED 7w/ELEE HI/RETUBE ONLY	retube 2' LED	1,988	0.2	0.2	0.0	394	322	72
1,544.0	Wayne Valley hs	Storage Storage 107 Tv Studio	1	1L4' T8 28w/ELEE HI	wrap	8	8	1L4' LED 13w/ELEE HI/RETUBE ONLY	retube 4' LED	350	0.3	0.2	0.1	92	60	32
1,545.0	Wayne Valley hs	Bath Bath Men	1	1L4' T8 28w/ELEE HI	wrap	1	1	1L4' LED 13w/ELEE HI/RETUBE ONLY	retube 4' LED	2,548	0.0	0.0	0.0	84	55	29
1,546.0	Wayne Valley hs	Classroom Classroom 110	1	1L4' T8 28w/ELEE HI	wrap	1	1	1L4' LED 13w/ELEE HI/RETUBE ONLY	retube 4' LED	1,988	0.0	0.0	0.0	66	43	23
1,547.0	Wayne Valley hs	Classroom Classroom 110	1	2L4' T8 28w/ELEE HI-8'	wrap	12	12	2L4' LED 13w/ELEE HI/RETUBE ONLY	retube 4' LED	2,840	0.8	0.5	0.2	2,181	1,465	716
1,548.0	Wayne Valley hs	Classroom Classroom 110	1	1L4' T8 28w/ELEE HI	wrap	4	4	1L4' LED 13w/ELEE HI/RETUBE ONLY	retube 4' LED	2,840	0.1	0.1	0.0	375	244	131
1,549.0	Wayne Valley hs	Storage Storage 110	1	1L4' T8 28w/ELEE HI	wrap	1	1	1L4' LED 13w/ELEE HI/RETUBE ONLY	retube 4' LED	500	0.0	0.0	0.0	17	11	6
1,550.0	Wayne Valley hs	Storage Storage Practice 1	1	1L4' T8 28w/ELEE HI	wrap	1	1	1L4' LED 13w/ELEE HI/RETUBE ONLY	retube 4' LED	500	0.0	0.0	0.0	17	11	6
1,551.0	Wayne Valley hs	Storage Storage Practice 2	1	1L4' T8 28w/ELEE HI	wrap	1	1	1L4' LED 13w/ELEE HI/RETUBE ONLY	retube 4' LED	500	0.0	0.0	0.0	17	11	6
1,552.0	Wayne Valley hs	Storage Storage Behind Stage	1	1L4' T8 28w/ELEE HI	wrap	1	1	1L4' LED 13w/ELEE HI/RETUBE ONLY	retube 4' LED	500	0.0	0.0	0.0	17	11	6
1,553.0	Wayne Valley hs	Office Office Music	1	1L4' T8 28w/ELEE HI	wrap	3	3	1L4' LED 13w/ELEE HI/RETUBE ONLY	retube 4' LED	2,840	0.1	0.1	0.0	281	183	98
1,554.0	Wayne Valley hs	Storage Storage Instruments	1	2L4' T8 28w/ELEE HI-8'	wrap	1	1	2L4' LED 13w/ELEE HI/RETUBE ONLY	retube 4' LED	2,440	0.1	0.0	0.0	156	105	51
1,555.0	Wayne Valley hs	Storage Storage Instruments	1	1L4' T8 28w/ELEE HI	wrap	1	1	1L4' LED 13w/ELEE HI/RETUBE ONLY	retube 4' LED	2,440	0.0	0.0	0.0	81	52	28
1,556.0	Wayne Valley hs	Classroom Classroom 108	1	2L4' T8 28w/ELEE HI	trof acr	12	12	2L4' LED 13w/ELEE HI/RETUBE ONLY	retube 4' LED	1,988	0.8	0.5	0.2	1,527	1,026	501
1,557.0	Wayne Valley hs	Classroom Classroom 106	1	2L4' T8 28w/ELEE HI-8'	wrap	9	9	2L4' LED 13w/ELEE HI/RETUBE ONLY	retube 4' LED	1,988	0.6	0.4	0.2	1,145	769	376
1,558.0	Wayne Valley hs	Classroom Classroom 106	1	1L4' T8 28w/ELEE HI	wrap	9	9	1L4' LED 13w/ELEE HI/RETUBE ONLY	retube 4' LED	1,988	0.3	0.2	0.1	590	385	206
1,559.0	Wayne Valley hs	Office Office 106	1	1L4' T8 28w/ELEE HI	wrap	3	3	1L4' LED 13w/ELEE HI/RETUBE ONLY	retube 4' LED	1,988	0.1	0.1	0.0	197	128	69
1,560.0	Wayne Valley hs	Storage Storage 106	1	1L4' T8 28w/ELEE HI	wrap	3	3	1L4' LED 13w/ELEE HI/RETUBE ONLY	retube 4' LED	350	0.1	0.1	0.0	35	23	12
1,561.0	Wayne Valley hs	Bath Bath Women	1	1L4' T8 28w/ELEE HI	wrap	2	2	1L4' LED 13w/ELEE HI/RETUBE ONLY	retube 4' LED	2,548	0.1	0.0	0.0	168	110	59
1,562.0	Wayne Valley hs	Classroom Classroom 157	1	2L4' T8 28w/ELEE HI-8'	wrap	6	6	2L4' LED 13w/ELEE HI/RETUBE ONLY	retube 4' LED	1,988	0.4	0.3	0.1	763	513	250
1,563.0	Wayne Valley hs	Classroom Classroom 157	1	1L4' T8 28w/ELEE HI	wrap	6	6	1L4' LED 13w/ELEE HI/RETUBE ONLY	retube 4' LED	1,988	0.2	0.1	0.1	394	256	137
1,564.0	Wayne Valley hs	Storage Storage 157	1	1L4' T8 28w/ELEE HI	wrap	4	4	1L4' LED 13w/ELEE HI/RETUBE ONLY	retube 4' LED	350	0.1	0.1	0.0	46	30	16
1,565.0	Wayne Valley hs	Classroom Classroom 104	1	6L4' T8 28w/ELEE LO-8'	indirect	15	15	3L4' LED 13w/ELEE/RETUBE ONLY	retube 4' LED	1,988	1.9	1.4	0.4	3,757	2,863	895
1,566.0	Wayne Valley hs	Classroom Classroom 104	1	3L4' T8 28w/ELEE LO	indirect	3	3	3L4' LED 13w/ELEE LO/RETUBE ONLY	retube 4' LED	1,988	0.2	0.1	0.1	376	250	125
1,567.0	Wayne Valley hs	Conference Conference 104	1	20 WATT LED	track head	4		NO RETRO	no change already LED	2,840	0.1	0.1		227	227	
1,568.0	Wayne Valley hs	Storage Storage Camera Equipment	1	23W CF SCREWIN	keyless	2		NO RETRO	no change	350	0.1	0.1		18	18	
1,569.0	Wayne Valley hs	Office Office 103	1	2L4' T8 28w/ELEE HI-8'	wrap	5	5	2L4' LED 13w/ELEE HI/RETUBE ONLY	retube 4' LED	1,988	0.3	0.2	0.1	636	427	209
1,570.0	Wayne Valley hs	Storage Storage 103	1	2L4' T8 28w/ELEE HI-8'	wrap	2	2	2L4' LED 13w/ELEE HI/RETUBE ONLY	retube 4' LED	350	0.1	0.1	0.0	45	30	15
1,571.0	Wayne Valley hs	Storage Storage 103	1	1L4' T8 28w/ELEE HI	wrap	2	2	1L4' LED 13w/ELEE HI/RETUBE ONLY	retube 4' LED	350	0.1	0.0	0.0	23	15	8
1,572.0	Wayne Valley hs	Classroom Classroom 102	1	2L4' T8 28w/ELEE HI-8'	wrap	14	14	2L4' LED 13w/ELEE HI/RETUBE ONLY	retube 4' LED	1,988	0.9	0.6	0.2	1,781	1,197	584
1,573.0	Wayne Valley hs	Classroom Classroom 102	1	1L4' T8 28w/ELEE HI	wrap	3	3	1L4' LED 13w/ELEE HI/RETUBE ONLY	retube 4' LED	1,988	0.1	0.1	0.0	197	128	69
1,574.0	Wayne Valley hs	Storage Storage 102	1	2L4' T8 28w/ELEE HI	wrap	1	1	2L4' LED 13w/ELEE HI/RETUBE ONLY	retube 4' LED	350	0.1	0.0	0.0	22	15	7
1,575.0	Wayne Valley hs	Storage Storage 102	1	2L4' T8 28w/ELEE HI	wrap	1	1	2L4' LED 13w/ELEE HI/RETUBE ONLY	retube 4' LED	350	0.1	0.0	0.0	22	15	7
1,576.0	Wayne Valley hs	Classroom Classroom 100	1	2L4' T8 28w/ELEE HI-8'	wrap	17	17	2L4' LED 13w/ELEE HI/RETUBE ONLY	retube 4' LED	2,840	1.1	0.7	0.3	3,090	2,076	1,014
1,577.0	Wayne Valley hs	Classroom Classroom 100	1	1L4' T8 28w/ELEE HI	wrap	1	1	1L4' LED 13w/ELEE HI/RETUBE ONLY	retube 4' LED	2,840	0.0	0.0	0.0	94	61	33
1,578.0	Wayne Valley hs	Office Office 100	1	2L4' T8 28w/ELEE HI-8'	wrap	1	1	2L4' LED 13w/ELEE HI/RETUBE ONLY	retube 4' LED	1,988	0.1	0.0	0.0	127	85	42
1,579.0	Wayne Valley hs	Office Open Office Open 161 It	1	2L4' T8 28w/ELEE HI-8'	wrap	9	9	2L4' LED 13w/ELEE HI/RETUBE ONLY	retube 4' LED	2,408	0.6	0.4	0.2	1,387	932	455
1,580.0	Wayne Valley hs	Hall Hall 116 To Stair 3	1	2L2' T8 15w/EL	trof acr	9	9	2L2' LED 7w/ELEE/RETUBE ONLY	retube 2' LED	3,640	0.3	0.2	0.1	917	622	295
1,581.0	Wayne Valley hs	Hall Hall 116 To Stair 3	1	2L2' T8 15w/EL	trof opaque	1	1	2L2' LED 7w/ELEE/RETUBE ONLY	retube 2' LED	3,640	0.0	0.0	0.0	102	69	33
1,582.0	Wayne Valley hs	Hall Hall Display Case	1	1L4' T8 28w/ELEE LO	strip	6	6	1L4' LED 13w/ELEE LO/RETUBE ONLY	retube 4' LED	3,640	0.1	0.1	0.0	480	306	175
1,583.0	Wayne Valley hs	Bath Bath 116 Tr	1	2L4' T8 28w/ELEE LO	trof acr	1	1	2L4' LED 13w/ELEE LO/RETUBE ONLY	retube 4' LED	2,548	0.0	0.0	0.0	107	71	36
1,584.0	Wayne Valley hs	Classroom Classroom 116	1	2L4' T8 28w/ELEE HI	trof acr	19	19	2L4' LED 13w/ELEE HI/RETUBE ONLY	retube 4' LED	1,988	1.2	0.8	0.3	2,417	1,624	793
1,585.0	Wayne Valley hs	Bath Bath 116T	1	2L4' T8 28w/ELEE HI	trof acr	1	1	2L4' LED 13w/ELEE HI/RETUBE ONLY	retube 4' LED	2,548	0.1	0.0	0.0	163	110	54
1,586.0	Wayne Valley hs	Storage Storage 113Sc	1	1L4' T8 28w/ELEE HI	wrap	2	2	1L4' LED 13w/ELEE HI/RETUBE ONLY	retube 4' LED	350	0.1	0.0	0.0	23	15	8
1,587.0	Wayne Valley hs	Classroom Classroom 114	1	2L4' T8 28w/ELEE HI-8'	wrap	18	18	2L4' LED 13w/ELEE HI/RETUBE ONLY	retube 4' LED	1,988	1.2	0.8	0.3	2,290	1,539	751
1,588.0	Wayne Valley hs	Kitchen Kitchen Serv Ing Line	1	4L4' T8 28w/ELEE LO-8'	wrap	4	4	4L4' LED 13w/ELEE LO/RETUBE ONLY	retube 4' LED	2,840	0.3	0.2	0.1	943	636	307
1,589.0	Wayne Valley hs	Kitchen Kitchen Serv Ing Line	1	2L4' T8 28w/ELEE LO	wrap	6	6	2L4' LED 13w/ELEE LO/RETUBE ONLY	retube 4' LED	2,840	0.3	0.2	0.1	716	477	239
1,590.0	Wayne Valley hs	Kitchen Kitchen Prep Area	1	2L4' T8 28w/ELEE HI	trof acr	26	26	2L4' LED 13w/ELEE HI/RETUBE ONLY	retube 4' LED	2,840	1.7	1.1	0.5	4,726	3,175	1,551



Wayne NJ

Phase 2 Lighting Scope of Work

Line	Building Name	Location	FI	Pre Fixture Description	Pre Fixture Style	Pre Qty	Pre Qty In Scope	Post Fixture Description	Post Fixture Style	Annual Hours	Pre kW	Post kW	kW Saved Coin.	Pre kWh	Post kWh	kWh Saved
1,591.0	Wayne Valley hs	Kitchen Kitchen Prep Area	1	2x13W CF HARDWIRED	can rec vert	1		NO RETRO	no change	2,840	0.0	0.0		85	85	
1,592.0	Wayne Valley hs	Kitchen Kitchen Grease Hood	1	23W CF SCREW IN	jar	8		NO RETRO	no change	2,840	0.2	0.2		568	568	
1,593.0	Wayne Valley hs	Closet Closet Clean	1	32W CF SCREW IN	jar	1		NO RETRO	no change	500	0.0	0.0		17	17	
1,594.0	Wayne Valley hs	Kitchen Kitchen Staff Serv Ing	1	2L4' T8 28w/ELEE HI	trof acr	2	2	2L4' LED 13w/ELEE HI/RETUBE ONLY	retube 4' LED	1,988	0.1	0.1	0.0	254	171	83
1,595.0	Wayne Valley hs	Storage Storage Dry Goods	1	2L4' T8 28w/ELEE	trof acr	2	2	2L4' LED 13w/ELEE/RETUBE ONLY	retube 4' LED	1,708	0.1	0.1	0.0	164	109	55
1,596.0	Wayne Valley hs	Office Office Kitchen	1	2L4' T8 28w/ELEE HI	trof acr	2	2	2L4' LED 13w/ELEE HI/RETUBE ONLY	retube 4' LED	1,988	0.1	0.1	0.0	254	171	83
1,597.0	Wayne Valley hs	Cafeteria Cafeteria Se4Ating Area	1	2L4' T8 28w/ELEE HI	wrap	12	12	2L4' LED 13w/ELEE HI/RETUBE ONLY	retube 4' LED	2,408	0.8	0.5	0.2	1,849	1,243	607
1,598.0	Wayne Valley hs	Hall Hall Stair 3 To Office 126	1	2L4' T8 28w/ELEE LO	trof acr	13	13	2L4' LED 13w/ELEE LO/RETUBE ONLY	retube 4' LED	3,640	0.5	0.4	0.2	1,987	1,325	662
1,599.0	Wayne Valley hs	Hall Hall Stair 3 To Office 126	1	1L4' T8 28w/ELEE HI	wrap	1	1	1L4' LED 13w/ELEE HI/RETUBE ONLY	retube 4' LED	3,640	0.0	0.0	0.0	120	78	42
1,600.0	Wayne Valley hs	Hall Hall Stair 3 To Office 126	1	2L2' T8 15w/EL	trof acr	1	1	2L2' LED 7w/ELEE/RETUBE ONLY	retube 2' LED	3,640	0.0	0.0	0.0	102	69	33
1,601.0	Wayne Valley hs	Office Office 126 Ao	1	2L4' T8 28w/ELEE HI-8'	wrap	4	4	2L4' LED 13w/ELEE HI/RETUBE ONLY	retube 4' LED	2,840	0.3	0.2	0.1	727	488	239
1,602.0	Wayne Valley hs	Office Office 126 Ao	1	1L4' T8 28w/ELEE HI	wrap	2	2	1L4' LED 13w/ELEE HI/RETUBE ONLY	retube 4' LED	2,840	0.1	0.0	0.0	187	122	65
1,603.0	Wayne Valley hs	Storage Storage 126 Ao	1	1L4' T8 28w/ELEE HI	wrap	1	1	1L4' LED 13w/ELEE HI/RETUBE ONLY	retube 4' LED	2,440	0.0	0.0	0.0	81	52	28
1,604.0	Wayne Valley hs	Storage Storage 126 Ao	1	2L4' T8 28w/ELEE HI-8'	wrap	1	1	2L4' LED 13w/ELEE HI/RETUBE ONLY	retube 4' LED	2,440	0.1	0.0	0.0	156	105	51
1,605.0	Wayne Valley hs	Storage Storage 126 Ao	1	2L4' T8 28w/ELEE	trof acr	1	1	2L4' LED 13w/ELEE/RETUBE ONLY	retube 4' LED	2,440	0.0	0.0	0.0	117	78	39
1,606.0	Wayne Valley hs	Hall Hall By Drink Machine	1	1L4' T8 28w/ELEE HI	wrap	1	1	1L4' LED 13w/ELEE HI/RETUBE ONLY	retube 4' LED	2,548	0.0	0.0	0.0	84	55	29
1,607.0	Wayne Valley hs	Hall Hall By Drink Machine	1	1L2' T8 15w/EL	wrap	2	2	1L2' LED 7w/ELEE/RETUBE ONLY	retube 2' LED	3,640	0.0	0.0	0.0	124	69	55
1,608.0	Wayne Valley hs	Bath Bath Staff	1	1L4' T8 28w/ELEE HI	wrap	1	1	1L4' LED 13w/ELEE HI/RETUBE ONLY	retube 4' LED	2,548	0.0	0.0	0.0	84	55	29
1,609.0	Wayne Valley hs	Bath Bath Staff	1	1L4' T8 28w/ELEE HI	wrap	1	1	1L4' LED 13w/ELEE HI/RETUBE ONLY	retube 4' LED	2,548	0.0	0.0	0.0	84	55	29
1,610.0	Wayne Valley hs	Closet Closet Clean	1	23W CF SCREW IN	keyless	1		NO RETRO	no change	350	0.0	0.0		9	9	
1,611.0	Wayne Valley hs	Storage Storage Climbing Gear	1	32W CF SCREW IN	keyless	1		NO RETRO	no change	350	0.0	0.0		12	12	
1,612.0	Wayne Valley hs	Gym Gym Small	1	222 WATT LED	high bay	40		NO RETRO	no change already LED	2,408	8.9	8.9		21,383	21,383	
1,613.0	Wayne Valley hs	Locker Locker 127	1	1L4' T8 28w/ELEE HI	wrap	1	1	1L4' LED 13w/ELEE HI/RETUBE ONLY	retube 4' LED	2,548	0.0	0.0	0.0	84	55	29
1,614.0	Wayne Valley hs	Office Office Coach	1	1L4' T8 28w/ELEE HI	wrap	2	2	1L4' LED 13w/ELEE HI/RETUBE ONLY	retube 4' LED	1,988	0.1	0.0	0.0	131	85	46
1,615.0	Wayne Valley hs	Bath Bath Coach	1	2L2' T8 15w/EL LO	vanity	1	1	2L2' LED 7w/ELEE LO/RETUBE ONLY	retube 2' LED	2,548	0.0	0.0	0.0	61	43	18
1,616.0	Wayne Valley hs	Bath Bath Coach	1	1L4' T8 28w/ELEE HI	wrap	1	1	1L4' LED 13w/ELEE HI/RETUBE ONLY	retube 4' LED	2,548	0.0	0.0	0.0	84	55	29
1,617.0	Wayne Valley hs	Storage Storage Coach	1	23W CF SCREW IN	keyless	1		NO RETRO	no change	500	0.0	0.0		13	13	
1,618.0	Wayne Valley hs	Storage Storage A	1	1L4' T8 28w/ELEE HI	wrap	2	2	1L4' LED 13w/ELEE HI/RETUBE ONLY	retube 4' LED	500	0.1	0.0	0.0	33	22	12
1,619.0	Wayne Valley hs	Locker Locker Boys	1	1L4' T8 28w/ELEE HI	wrap	16	16	1L4' LED 13w/ELEE HI/RETUBE ONLY	retube 4' LED	3,640	0.5	0.3	0.2	1,922	1,252	670
1,620.0	Wayne Valley hs	Locker Locker Shower	1	23W CF SCREW IN	square recessed	3		NO RETRO	no change	3,640	0.1	0.1		273	273	
1,621.0	Wayne Valley hs	Hall Hall By Shower	1	1L4' T8 28w/ELEE HI	wrap	1	1	1L4' LED 13w/ELEE HI/RETUBE ONLY	retube 4' LED	3,640	0.0	0.0	0.0	120	78	42
1,622.0	Wayne Valley hs	Closet Closet Clean	1	2L2' T8 15w/EL LO	wrap	1	1	2L2' LED 7w/ELEE LO/RETUBE ONLY	retube 2' LED	350	0.0	0.0	0.0	8	6	2
1,623.0	Wayne Valley hs	Bath Bath Clean	1	1L4' T8 28w/ELEE HI	wrap	1	1	1L4' LED 13w/ELEE HI/RETUBE ONLY	retube 4' LED	3,640	0.0	0.0	0.0	120	78	42
1,624.0	Wayne Valley hs	Bath Bath Clean	1	1L4' T8 28w/ELEE HI	wrap	1	1	1L4' LED 13w/ELEE HI/RETUBE ONLY	retube 4' LED	3,640	0.0	0.0	0.0	120	78	42
1,625.0	Wayne Valley hs	Storage Storage Punching Bags	1	2L2' T8 15w/EL LO	wrap	1	1	2L2' LED 7w/ELEE LO/RETUBE ONLY	retube 2' LED	500	0.0	0.0	0.0	12	9	4
1,626.0	Wayne Valley hs	Storage Storage Equipment	1	23W CF SCREW IN	hat	2		NO RETRO	no change	350	0.1	0.1		18	18	
1,627.0	Wayne Valley hs	Storage Storage Supplies 1	1	23W CF SCREW IN	keyless	2		NO RETRO	no change	500	0.1	0.1		25	25	
1,628.0	Wayne Valley hs	Storage Storage Supplies 2	1	23W CF SCREW IN	keyless	2		NO RETRO	no change	500	0.1	0.1		25	25	
1,629.0	Wayne Valley hs	Storage Storage Supplies 3	1	23W CF SCREW IN	keyless	2		NO RETRO	no change	500	0.1	0.1		25	25	
1,630.0	Wayne Valley hs	Closet Closet Clean	1	2L2' T8 15w/EL LO	wrap	1	1	2L2' LED 7w/ELEE LO/RETUBE ONLY	retube 2' LED	500	0.0	0.0	0.0	12	9	4
1,631.0	Wayne Valley hs	Hall Hall Locker Girls	1	1L4' T8 28w/ELEE HI	wrap	8	8	1L4' LED 13w/ELEE HI/RETUBE ONLY	retube 4' LED	3,640	0.3	0.2	0.1	961	626	335
1,632.0	Wayne Valley hs	Hall Hall 125 Girls	1	1L4' T8 28w/ELEE HI	wrap	1	1	1L4' LED 13w/ELEE HI/RETUBE ONLY	retube 4' LED	2,548	0.0	0.0	0.0	84	55	29
1,633.0	Wayne Valley hs	Office Office Coach	1	1L4' T8 28w/ELEE HI	wrap	1	1	1L4' LED 13w/ELEE HI/RETUBE ONLY	retube 4' LED	1,988	0.0	0.0	0.0	66	43	23
1,634.0	Wayne Valley hs	Bath Bath Coach	1	1L4' T8 28w/ELEE HI	wrap	1	1	1L4' LED 13w/ELEE HI/RETUBE ONLY	retube 4' LED	2,548	0.0	0.0	0.0	84	55	29
1,635.0	Wayne Valley hs	Bath Bath Coach	1	2L2' T8 15w/EL LO	vanity	1	1	2L2' LED 7w/ELEE LO/RETUBE ONLY	retube 2' LED	2,548	0.0	0.0	0.0	61	43	18
1,636.0	Wayne Valley hs	Storage Storage Equipment	1	23W CF SCREW IN	keyless	1		NO RETRO	no change	500	0.0	0.0		13	13	
1,637.0	Wayne Valley hs	Locker Locker 125 Girls	1	1L4' T8 28w/ELEE HI	wrap	16	16	1L4' LED 13w/ELEE HI/RETUBE ONLY	retube 4' LED	3,640	0.5	0.3	0.2	1,922	1,252	670
1,638.0	Wayne Valley hs	Locker Locker Shower	1	23W CF SCREW IN	square recessed	8		NO RETRO	no change	3,640	0.2	0.2		728	728	
1,639.0	Wayne Valley hs	Closet Closet Clean	1	23W CF SCREW IN	keyless	1		NO RETRO	no change	350	0.0	0.0		9	9	
1,640.0	Wayne Valley hs	Bath Bath Girls Locker	1	1L4' T8 28w/ELEE HI	wrap	1	1	1L4' LED 13w/ELEE HI/RETUBE ONLY	retube 4' LED	3,640	0.0	0.0	0.0	120	78	42
1,641.0	Wayne Valley hs	Hall Hall To Exit	1	23W CF SCREW IN	keyless	1		NO RETRO	no change	3,640	0.0	0.0		91	91	



Wayne NJ

Phase 2 Lighting Scope of Work

Line	Building Name	Location	FI	Pre Fixture Description	Pre Fixture Style	Pre Qty	Pre Qty In Scope	Post Fixture Description	Post Fixture Style	Annual Hours	Pre kW	Post kW	kW Saved Coin.	Pre kWh	Post kWh	kWh Saved
1,642.0	Wayne Valley hs	Storage Storage Mats	1	2L2' T8 15w/EL LO	wrap	2	2	2L2' LED 7w/ELEE LO/RETUBE ONLY	retube 2' LED	350	0.0	0.0	0.0	17	12	5
1,643.0	Wayne Valley hs	Hall Hall Stair 4	1	2L4' T8 28w/ELEE LO-8'	wrap	8	8	2L4' LED 13w/ELEE LO/RETUBE ONLY	retube 4' LED	3,640	0.3	0.2	0.1	1,223	815	408
1,644.0	Wayne Valley hs	Hall Hall Stair 4	1	1L4' T8 28w/ELEE HI	wrap	1	1	1L4' LED 13w/ELEE HI/RETUBE ONLY	retube 4' LED	3,640	0.0	0.0	0.0	120	78	42
1,645.0	Wayne Valley hs	Hall Hall 125Gt To Auto Shop 130	1	1L4' T8 28w/ELEE HI	wrap	34	34	1L4' LED 13w/ELEE HI/RETUBE ONLY	retube 4' LED	3,640	1.1	0.7	0.4	4,084	2,661	1,423
1,646.0	Wayne Valley hs	Hall Hall Display Case	1	1L4' T8 28w/ELEE	strip	4	4	1L4' LED 13w/ELEE/RETUBE ONLY	retube 4' LED	3,640	0.1	0.1	0.0	349	233	116
1,647.0	Wayne Valley hs	Bath Bath 125 Ct	1	2L2' T8 15w/EL	trof acr	1	1	2L2' LED 7w/ELEE HI/RETUBE ONLY	retube 2' LED	3,640	0.0	0.0	0.0	120	98	22
1,648.0	Wayne Valley hs	Bath Bath 125 Ct	1	2L2' T8 15w/EL	trof acr	4	4	2L2' LED 7w/ELEE HI/RETUBE ONLY	retube 2' LED	2,548	0.1	0.1	0.0	336	275	61
1,649.0	Wayne Valley hs	Closet Closet Clean	1	2L2' T8 15w/EL LO	wrap	1	1	2L2' LED 7w/ELEE LO/RETUBE ONLY	retube 2' LED	350	0.0	0.0	0.0	8	6	2
1,650.0	Wayne Valley hs	Bath Bath 125Bt	1	2L2' T8 15w/EL	trof acr	1	1	2L2' LED 7w/ELEE HI/RETUBE ONLY	retube 2' LED	3,640	0.0	0.0	0.0	120	98	22
1,651.0	Wayne Valley hs	Bath Bath 125Bt	1	2L2' T8 15w/EL	trof acr	4	4	2L2' LED 7w/ELEE HI/RETUBE ONLY	retube 2' LED	2,548	0.1	0.1	0.0	336	275	61
1,652.0	Wayne Valley hs	Office Office 125 Athletic Trainer	1	1L4' T8 28w/ELEE HI	wrap	4	4	1L4' LED 13w/ELEE HI/RETUBE ONLY	retube 4' LED	1,988	0.1	0.1	0.0	262	171	91
1,653.0	Wayne Valley hs	Office Office 125Bs	1	1L4' T8 28w/ELEE HI	wrap	4	4	1L4' LED 13w/ELEE HI/RETUBE ONLY	retube 4' LED	1,988	0.1	0.1	0.0	262	171	91
1,654.0	Wayne Valley hs	Storage Storage Ceiling Tiles	1	4L4' T8 28w/ELEE LO-8'	industrial	7	7	4L4' LED 13w/ELEE LO/RETUBE ONLY	retube 4' LED	1,708	0.6	0.4	0.2	992	670	323
1,655.0	Wayne Valley hs	Gym Gym Weight Room	1	4L4' T8 28w/ELEE LO-8'	industrial	26	26	4L4' LED 13w/ELEE LO/RETUBE ONLY	retube 4' LED	3,440	2.2	1.5	0.7	7,424	5,009	2,415
1,656.0	Wayne Valley hs	Gym Gym Weight Room	1	2L4' T8 28w/ELEE LO	industrial	5	5	2L4' LED 13w/ELEE LO/RETUBE ONLY	retube 4' LED	3,440	0.2	0.1	0.1	722	482	241
1,657.0	Wayne Valley hs	Storage Storage Weight Room	1	4L4' T8 28w/ELEE LO-8'	strip	2	2	4L4' LED 13w/ELEE LO/RETUBE ONLY	retube 4' LED	1,708	0.2	0.1	0.0	284	191	92
1,658.0	Wayne Valley hs	Shop Shop 129	1	4L4' T8 28w/ELEE LO-8'	industrial	28	28	4L4' LED 13w/ELEE LO/RETUBE ONLY	retube 4' LED	2,440	2.3	1.6	0.7	5,671	3,826	1,845
1,659.0	Wayne Valley hs	Shop Shop 129	1	2L4' T8 28w/ELEE LO	industrial	9	9	2L4' LED 13w/ELEE LO/RETUBE ONLY	retube 4' LED	2,440	0.4	0.3	0.1	922	615	307
1,660.0	Wayne Valley hs	Storage Storage Vapor Hood	1	23W CF HARDWIRED/EL	explosion	2		NO RETRO	no change	350	0.1	0.1		18	18	
1,661.0	Wayne Valley hs	Storage Storage Wood	1	2L4' T8 28w/ELEE HI	trof acr	2	2	2L4' LED 13w/ELEE HI/RETUBE ONLY	retube 4' LED	500	0.1	0.1	0.0	64	43	21
1,662.0	Wayne Valley hs	Classroom Classroom 132	1	2L2' T8 15w/EL	trof acr	2	2	2L2' LED 7w/ELEE HI/RETUBE ONLY	retube 2' LED	2,840	0.1	0.1	0.0	187	153	34
1,663.0	Wayne Valley hs	Classroom Classroom 132	1	2L4' T8 28w/ELEE HI	trof acr	11	11	2L4' LED 13w/ELEE HI/RETUBE ONLY	retube 4' LED	2,840	0.7	0.5	0.2	1,999	1,343	656
1,664.0	Wayne Valley hs	Storage Storage 132	1	2L4' T8 28w/ELEE HI	trof acr	2	2	2L4' LED 13w/ELEE HI/RETUBE ONLY	retube 4' LED	500	0.1	0.1	0.0	64	43	21
1,665.0	Wayne Valley hs	Bath Bath 132Hr	1	2L4' T8 28w/ELEE HI	trof acr	3	3	2L4' LED 13w/ELEE HI/RETUBE ONLY	retube 4' LED	2,548	0.2	0.1	0.1	489	329	161
1,666.0	Wayne Valley hs	Shop Shop 130 Auto	1	4L4' T8 28w/ELEE LO-8'	industrial	5	5	4L4' LED 13w/ELEE LO/RETUBE ONLY	retube 4' LED	2,440	0.4	0.3	0.1	1,013	683	329
1,667.0	Wayne Valley hs	Shop Shop 130 Auto	1	2L4' T8 28w/ELEE LO	industrial	4	4	2L4' LED 13w/ELEE LO/RETUBE ONLY	retube 4' LED	2,440	0.2	0.1	0.1	410	273	137
1,668.0	Wayne Valley hs	Storage Storage Compressor	1	2L4' T8 28w/ELEE LO-8'	strip	3	3	2L4' LED 13w/ELEE LO/RETUBE ONLY	retube 4' LED	500	0.1	0.1	0.0	63	42	21
1,669.0	Wayne Valley hs	Storage Storage Compressor	1	1L4' T8 28w/ELEE LO	strip	1	1	1L4' LED 13w/ELEE LO/RETUBE ONLY	retube 4' LED	500	0.0	0.0	0.0	11	7	4
1,670.0	Wayne Valley hs	Classroom Classroom 131	1	2L4' T8 28w/ELEE HI-8'	wrap	6	6	2L4' LED 13w/ELEE HI/RETUBE ONLY	retube 4' LED	1,988	0.4	0.3	0.1	763	513	250
1,671.0	Wayne Valley hs	Classroom Classroom 131	1	1L4' T8 28w/ELEE HI	wrap	3	3	1L4' LED 13w/ELEE HI/RETUBE ONLY	retube 4' LED	1,988	0.1	0.1	0.0	197	128	69
1,672.0	Wayne Valley hs	Hall Hall By 130Hr	1	1L4' T8 28w/ELEE HI	wrap	4	4	1L4' LED 13w/ELEE HI/RETUBE ONLY	retube 4' LED	3,640	0.1	0.1	0.0	480	313	167
1,673.0	Wayne Valley hs	Bath Bath 130Hr	1	2L4' T8 28w/ELEE LO-8'	wrap	1	1	2L4' LED 13w/ELEE LO/RETUBE ONLY	retube 4' LED	2,548	0.0	0.0	0.0	107	71	36
1,674.0	Wayne Valley hs	Bath Bath 130Wt	1	2L4' T8 28w/ELEE LO-8'	wrap	1	1	2L4' LED 13w/ELEE LO/RETUBE ONLY	retube 4' LED	2,548	0.0	0.0	0.0	107	71	36
1,675.0	Wayne Valley hs	Retail Retail 130 School Store	1	2L4' T8 28w/ELEE HI-8'	wrap	2	2	2L4' LED 13w/ELEE HI/RETUBE ONLY	retube 4' LED	1,764	0.1	0.1	0.0	226	152	74
1,676.0	Wayne Valley hs	Office Office 130 School Store	1	2L4' T8 28w/ELEE HI-8'	wrap	2	2	2L4' LED 13w/ELEE HI/RETUBE ONLY	retube 4' LED	1,988	0.1	0.1	0.0	254	171	83
1,677.0	Wayne Valley hs	Storage Storage 130 School Store	1	2L4' T8 28w/ELEE HI-8'	wrap	2	2	2L4' LED 13w/ELEE HI/RETUBE ONLY	retube 4' LED	350	0.1	0.1	0.0	45	30	15
1,678.0	Wayne Valley hs	Lobby Lobby Gym	1	4L4' T8 28w/ELEE LO-8'	trof acr 1' wide	8	8	4L4' LED 13w/ELEE LO/RETUBE ONLY	retube 4' LED	1,820	0.7	0.4	0.2	1,208	815	393
1,679.0	Wayne Valley hs	Lobby Lobby Gym	1	2L4' T8 28w/ELEE LO	trof acr 1' wide	8	8	2L4' LED 13w/ELEE LO/RETUBE ONLY	retube 4' LED	1,820	0.3	0.2	0.1	612	408	204
1,680.0	Wayne Valley hs	Lobby Lobby Gym	1	32W CF SCREWIN	can rec vert 12"	4		NO RETRO	no change	3,640	0.1	0.1		495	495	
1,681.0	Wayne Valley hs	Lobby Lobby Display Case	1	1L4' T8 28w/ELEE	strip	6	6	1L4' LED 13w/ELEE/RETUBE ONLY	retube 4' LED	3,640	0.1	0.1	0.0	524	349	175
1,682.0	Wayne Valley hs	Closet Closet By Display Cases	1	23W CF SCREWIN	keyless	1		NO RETRO	no change	500	0.0	0.0		13	13	
1,683.0	Wayne Valley hs	Closet Closet By Display Cases	1	23W CF SCREWIN	keyless	1		NO RETRO	no change	500	0.0	0.0		13	13	
1,684.0	Wayne Valley hs	Office Open Office Open 134	1	2L4' T8 28w/ELEE HI-8'	wrap	6	6	2L4' LED 13w/ELEE HI/RETUBE ONLY	retube 4' LED	2,408	0.4	0.3	0.1	925	621	303
1,685.0	Wayne Valley hs	Office Office 134A	1	2L4' T8 28w/ELEE HI-8'	wrap	2	2	2L4' LED 13w/ELEE HI/RETUBE ONLY	retube 4' LED	1,988	0.1	0.1	0.0	254	171	83
1,686.0	Wayne Valley hs	Office Office 134B	1	2L4' T8 28w/ELEE HI-8'	wrap	2	2	2L4' LED 13w/ELEE HI/RETUBE ONLY	retube 4' LED	1,988	0.1	0.1	0.0	254	171	83
1,687.0	Wayne Valley hs	Office Office 134C	1	2L4' T8 28w/ELEE HI-8'	wrap	2	2	2L4' LED 13w/ELEE HI/RETUBE ONLY	retube 4' LED	1,988	0.1	0.1	0.0	254	171	83
1,688.0	Wayne Valley hs	Office Office 134C	1	1L4' T8 28w/ELEE HI	wrap	2	2	1L4' LED 13w/ELEE HI/RETUBE ONLY	retube 4' LED	1,988	0.1	0.0	0.0	131	85	46
1,689.0	Wayne Valley hs	Storage Storage 134	1	1L4' T8 28w/ELEE HI	wrap	1	1	1L4' LED 13w/ELEE HI/RETUBE ONLY	retube 4' LED	350	0.0	0.0	0.0	12	8	4
1,690.0	Wayne Valley hs	Office Open Office Open 135	1	2L4' T8 28w/ELEE HI-8'	wrap	3	3	2L4' LED 13w/ELEE HI/RETUBE ONLY	retube 4' LED	2,408	0.2	0.1	0.1	462	311	152
1,691.0	Wayne Valley hs	Office Open Office Open 135	1	1L4' T8 28w/ELEE HI	wrap	3	3	1L4' LED 13w/ELEE HI/RETUBE ONLY	retube 4' LED	2,408	0.1	0.1	0.0	238	155	83
1,692.0	Wayne Valley hs	Office Open Office Open Exam Beds	1	1L4' T8 28w/ELEE HI	wrap	6	6	1L4' LED 13w/ELEE HI/RETUBE ONLY	retube 4' LED	3,440	0.2	0.1	0.1	681	444	237



Wayne NJ

Phase 2 Lighting Scope of Work

Line	Building Name	Location	FI	Pre Fixture Description	Pre Fixture Style	Pre Qty	Pre Qty In Scope	Post Fixture Description	Post Fixture Style	Annual Hours	Pre kW	Post kW	kW Saved Coin.	Pre kWh	Post kWh	kWh Saved
1,693.0	Wayne Valley hs	Office Office Nurse	1	2L4' T8 28w/ELEE HI-8'	wrap	2	2	2L4' LED 13w/ELEE HI/RETUBE ONLY	retube 4' LED	1,988	0.1	0.1	0.0	254	171	83
1,694.0	Wayne Valley hs	Storage Storage Nurse	1	2L2' T8 15w/EL LO	wrap	1	1	2L2' LED 7w/ELEE LO/RETUBE ONLY	retube 2' LED	500	0.0	0.0	0.0	12	9	4
1,695.0	Wayne Valley hs	Bath Bath Nurse	1	2L4' T8 28w/ELEE HI	trof acr	1	1	2L4' LED 13w/ELEE HI/RETUBE ONLY	retube 4' LED	2,548	0.1	0.0	0.0	163	110	54
1,696.0	Wayne Valley hs	Bath Bath Nurse	1	2L2' T8 15w/EL LO	vanity	1	1	2L2' LED 7w/ELEE LO/RETUBE ONLY	retube 2' LED	2,548	0.0	0.0	0.0	61	43	18
1,697.0	Wayne Valley hs	Classroom Classroom 136	1	2L4' T8 28w/ELEE HI-8'	wrap	8	8	2L4' LED 13w/ELEE HI/RETUBE ONLY	retube 4' LED	1,988	0.5	0.3	0.1	1,018	684	334
1,698.0	Wayne Valley hs	Classroom Classroom 137	1	2L4' T8 28w/ELEE HI-8'	wrap	6	6	2L4' LED 13w/ELEE HI/RETUBE ONLY	retube 4' LED	1,988	0.4	0.3	0.1	763	513	250
1,699.0	Wayne Valley hs	Classroom Classroom 137	1	1L4' T8 28w/ELEE HI	wrap	3	3	1L4' LED 13w/ELEE HI/RETUBE ONLY	retube 4' LED	1,988	0.1	0.1	0.0	197	128	69
1,700.0	Wayne Valley hs	Classroom Classroom 138	1	2L4' T8 28w/ELEE HI-8'	wrap	6	6	2L4' LED 13w/ELEE HI/RETUBE ONLY	retube 4' LED	1,988	0.4	0.3	0.1	763	513	250
1,701.0	Wayne Valley hs	Classroom Classroom 138	1	1L4' T8 28w/ELEE HI	wrap	3	3	1L4' LED 13w/ELEE HI/RETUBE ONLY	retube 4' LED	1,988	0.1	0.1	0.0	197	128	69
1,702.0	Wayne Valley hs	Classroom Classroom 139	1	2L4' T8 28w/ELEE HI-8'	wrap	6	6	2L4' LED 13w/ELEE HI/RETUBE ONLY	retube 4' LED	1,988	0.4	0.3	0.1	763	513	250
1,703.0	Wayne Valley hs	Classroom Classroom 139	1	1L4' T8 28w/ELEE HI	wrap	3	3	1L4' LED 13w/ELEE HI/RETUBE ONLY	retube 4' LED	1,988	0.1	0.1	0.0	197	128	69
1,704.0	Wayne Valley hs	Classroom Classroom 140	1	2L4' T8 28w/ELEE HI-8'	wrap	6	6	2L4' LED 13w/ELEE HI/RETUBE ONLY	retube 4' LED	1,988	0.4	0.3	0.1	763	513	250
1,705.0	Wayne Valley hs	Classroom Classroom 140	1	1L4' T8 28w/ELEE HI	wrap	3	3	1L4' LED 13w/ELEE HI/RETUBE ONLY	retube 4' LED	1,988	0.1	0.1	0.0	197	128	69
1,706.0	Wayne Valley hs	Hall Hall 137 To Stair 5	1	1L4' T8 28w/ELEE HI	wrap	30	30	1L4' LED 13w/ELEE HI/RETUBE ONLY	retube 4' LED	3,640	1.0	0.6	0.3	3,604	2,348	1,256
1,707.0	Wayne Valley hs	Hall Hall 137 To Stair 5	1	1L4' T8 28w/ELEE	strip	2	2	1L4' LED 13w/ELEE/RETUBE ONLY	retube 4' LED	3,640	0.0	0.0	0.0	175	116	58
1,708.0	Wayne Valley hs	Classroom Classroom 140	1	2L4' T8 28w/ELEE HI-8'	wrap	9	9	2L4' LED 13w/ELEE HI/RETUBE ONLY	retube 4' LED	1,988	0.6	0.4	0.2	1,145	769	376
1,709.0	Wayne Valley hs	Classroom Classroom 140	1	1L4' T8 28w/ELEE HI	wrap	3	3	1L4' LED 13w/ELEE HI/RETUBE ONLY	retube 4' LED	1,988	0.1	0.1	0.0	197	128	69
1,710.0	Wayne Valley hs	Closet Closet Clean	1	2L2' T8 15w/EL LO	wrap	1	1	2L2' LED 7w/ELEE LO/RETUBE ONLY	retube 2' LED	350	0.0	0.0	0.0	8	6	2
1,711.0	Wayne Valley hs	Bath Bath Girls	1	2L4' T8 28w/ELEE HI-8'	wrap	1	1	2L4' LED 13w/ELEE HI/RETUBE ONLY	retube 4' LED	2,548	0.1	0.0	0.0	163	110	54
1,712.0	Wayne Valley hs	Bath Bath Girls	1	1L4' T8 28w/ELEE HI	wrap	1	1	1L4' LED 13w/ELEE HI/RETUBE ONLY	retube 4' LED	2,548	0.0	0.0	0.0	84	55	29
1,713.0	Wayne Valley hs	Kitchen Kitchen 141 Serving Area	1	4L4' T8 28w/ELEE LO-8'	trof acr 1' wide	6	6	4L4' LED 13w/ELEE LO/RETUBE ONLY	retube 4' LED	1,988	0.5	0.3	0.1	990	668	322
1,714.0	Wayne Valley hs	Kitchen Kitchen 141 Serving Area	1	4L4' T8 28w/ELEE LO-8'	trof acr 1' wide	2	2	4L4' LED 13w/ELEE LO/RETUBE ONLY	retube 4' LED	1,988	0.2	0.1	0.0	330	223	107
1,715.0	Wayne Valley hs	Kitchen Kitchen 141 Prep Area	1	4L4' T8 28w/ELEE LO-8'	trof acr 1' wide	4	4	4L4' LED 13w/ELEE LO/RETUBE ONLY	retube 4' LED	1,988	0.3	0.2	0.1	660	445	215
1,716.0	Wayne Valley hs	Kitchen Kitchen 141 Wash Area	1	4L4' T8 28w/ELEE LO-8'	trof acr 1' wide	2	2	4L4' LED 13w/ELEE LO/RETUBE ONLY	retube 4' LED	1,988	0.2	0.1	0.0	330	223	107
1,717.0	Wayne Valley hs	Kitchen Kitchen Grease Hood	1	23W CF SCREWIN	jar	2		NO RETRO	no change	2,840	0.1	0.1		142	142	
1,718.0	Wayne Valley hs	Closet Closet Clean	1	23W CF SCREWIN	hat	1		NO RETRO	no change	350	0.0	0.0		9	9	
1,719.0	Wayne Valley hs	Bath Bath 141Bt	1	1L4' T8 28w/ELEE HI	wrap	2	2	1L4' LED 13w/ELEE HI/RETUBE ONLY	retube 4' LED	2,548	0.1	0.0	0.0	168	110	59
1,720.0	Wayne Valley hs	Bath Bath 141Bt	1	2L4' T8 28w/ELEE HI-8'	wrap	1	1	2L4' LED 13w/ELEE HI/RETUBE ONLY	retube 4' LED	2,548	0.1	0.0	0.0	163	110	54
1,721.0	Wayne Valley hs	Cafeteria Cafeteria 142	1	2L4' T8 28w/ELEE HI-8'	wrap	15	15	2L4' LED 13w/ELEE HI/RETUBE ONLY	retube 4' LED	2,408	1.0	0.6	0.3	2,312	1,553	759
1,722.0	Wayne Valley hs	Cafeteria Cafeteria 142	1	1L4' T8 28w/ELEE HI	wrap	6	6	1L4' LED 13w/ELEE HI/RETUBE ONLY	retube 4' LED	2,408	0.2	0.1	0.1	477	311	166
1,723.0	Wayne Valley hs	Classroom Classroom 143	1	2L4' T8 28w/ELEE HI-8'	wrap	9	9	2L4' LED 13w/ELEE HI/RETUBE ONLY	retube 4' LED	1,988	0.6	0.4	0.2	1,145	769	376
1,724.0	Wayne Valley hs	Classroom Classroom 143	1	1L4' T8 28w/ELEE HI	wrap	2	2	1L4' LED 13w/ELEE HI/RETUBE ONLY	retube 4' LED	1,988	0.1	0.0	0.0	131	85	46
1,725.0	Wayne Valley hs	Hall Hall By Courtyard	1	1L4' T8 28w/ELEE HI	wrap	11	11	1L4' LED 13w/ELEE HI/RETUBE ONLY	retube 4' LED	3,640	0.4	0.2	0.1	1,321	861	460
1,726.0	Wayne Valley hs	Locker Locker 133Tm	1	1L4' T8 28w/ELEE HI	wrap	2	2	1L4' LED 13w/ELEE HI/RETUBE ONLY	retube 4' LED	3,640	0.1	0.0	0.0	240	157	84
1,727.0	Wayne Valley hs	Locker Locker 133Tm	1	2L4' T8 28w/ELEE LO	vapor tight	1	1	2L4' LED 13w/ELEE LO/RETUBE ONLY	retube 4' LED	3,640	0.0	0.0	0.0	153	102	51
1,728.0	Wayne Valley hs	Hall Hall To Boiler Room	1	32W CF SCREWIN	hat	1		NO RETRO	no change	2,548	0.0	0.0		87	87	
1,729.0	Wayne Valley hs	Mechanical Mechanical Boiler	1	2L2' T8 15w/EL LO	wrap	8	8	2L2' LED 7w/ELEE LO/RETUBE ONLY	retube 2' LED	500	0.2	0.1	0.1	96	68	28
1,730.0	Wayne Valley hs	Mechanical Mechanical Boiler	1	2L4' T8 28w/ELEE LO	strip	3	3	2L4' LED 13w/ELEE LO/RETUBE ONLY	retube 4' LED	500	0.1	0.1	0.0	63	42	21
1,731.0	Wayne Valley hs	Locker Locker 133Tm	1	2L4' T8 28w/ELEE LO	vapor tight	17	17	2L4' LED 13w/ELEE LO/RETUBE ONLY	retube 4' LED	3,640	0.7	0.5	0.2	2,599	1,733	866
1,732.0	Wayne Valley hs	Locker Locker Bathroom	1	2L4' T8 28w/ELEE HI-8'	wrap	2	2	2L4' LED 13w/ELEE HI/RETUBE ONLY	retube 4' LED	2,548	0.1	0.1	0.0	326	219	107
1,733.0	Wayne Valley hs	Locker Locker Showers	1	2x13W CF HARDWIRED	square recessed	5		NO RETRO	no change	2,548	0.2	0.2		382	382	
1,734.0	Wayne Valley hs	Locker Locker Stand Up Lockers	1	2L2' T8 15w/EL	trof acr	6	6	2L2' LED 7w/ELEE HI/RETUBE ONLY	retube 2' LED	2,548	0.2	0.2	0.0	505	413	92
1,735.0	Wayne Valley hs	Storage Storage Equipment	1	2L2' T8 15w/EL	trof acr	4	4	2L2' LED 7w/ELEE HI/RETUBE ONLY	retube 2' LED	350	0.1	0.1	0.0	46	38	8
1,736.0	Wayne Valley hs	Storage Storage 1	1	1L4' T8 28w/ELEE HI	wrap	4	4	1L4' LED 13w/ELEE HI/RETUBE ONLY	retube 4' LED	500	0.1	0.1	0.0	66	43	23
1,737.0	Wayne Valley hs	Storage Storage 2	1	1L4' T8 28w/ELEE HI	wrap	4	4	1L4' LED 13w/ELEE HI/RETUBE ONLY	retube 4' LED	500	0.1	0.1	0.0	66	43	23
1,738.0	Wayne Valley hs	Stair Stair To Gym	s	1L4' T8 28w/ELEE HI	wrap	2	2	1L4' LED 13w/ELEE HI/RETUBE ONLY	retube 4' LED	3,640	0.1	0.0	0.0	240	157	84
1,739.0	Wayne Valley hs	Stair Stair To Gym	s	2L4' T8 28w/ELEE LO	vapor tight	1	1	2L4' LED 13w/ELEE LO/RETUBE ONLY	retube 4' LED	3,640	0.0	0.0	0.0	153	102	51
1,740.0	Wayne Valley hs	Storage Storage By Boiler	1	2L4' T8 28w/ELEE LO-8'	wrap	4	4	2L4' LED 13w/ELEE LO/RETUBE ONLY	retube 4' LED	500	0.2	0.1	0.1	84	56	28
1,741.0	Wayne Valley hs	Locker Locker 133Bf Boys	1	1L4' T8 28w/ELEE HI	wrap	11	11	1L4' LED 13w/ELEE HI/RETUBE ONLY	retube 4' LED	3,640	0.4	0.2	0.1	1,321	861	460
1,742.0	Wayne Valley hs	Locker Locker 133Bf Boys	1	11W CF SCREWIN	square surface mt.	6		NO RETRO	no change	3,640	0.1	0.1		284	284	
1,743.0	Wayne Valley hs	Locker Locker Bath	1	2L4' T8 28w/ELEE LO	trof acr	2	2	2L4' LED 13w/ELEE LO/RETUBE ONLY	retube 4' LED	2,548	0.1	0.1	0.0	214	143	71



Wayne NJ

Phase 2 Lighting Scope of Work

Line	Building Name	Location	FI	Pre Fixture Description	Pre Fixture Style	Pre Qty	Pre Qty In Scope	Post Fixture Description	Post Fixture Style	Annual Hours	Pre kW	Post kW	kW Saved Coin.	Pre kWh	Post kWh	kWh Saved
1,744.0	Wayne Valley hs	Office Office Coach	1	2L4' T8 28w/ELEE HI-8'	wrap	1	1	2L4' LED 13w/ELEE HI/RETUBE ONLY	retube 4' LED	1,988	0.1	0.0	0.0	127	85	42
1,745.0	Wayne Valley hs	Bath Bath Coach	1	2L2' T8 15w/EL LO	vanity	1	1	2L2' LED 7w/ELEE LO/RETUBE ONLY	retube 2' LED	2,548	0.0	0.0	0.0	61	43	18
1,746.0	Wayne Valley hs	Bath Bath Coach	1	2x13W CF HARDWIRED	can rec vert 9"	1		NO RETRO	no change	2,548	0.0	0.0		76	76	
1,747.0	Wayne Valley hs	Storage Storage By Showers	1	1L4' T8 28w/ELEE HI	wrap	2	2	1L4' LED 13w/ELEE HI/RETUBE ONLY	retube 4' LED	350	0.1	0.0	0.0	23	15	8
1,748.0	Wayne Valley hs	Locker Locker 133BI Girls	1	1L4' T8 28w/ELEE HI	wrap	11	11	1L4' LED 13w/ELEE HI/RETUBE ONLY	retube 4' LED	3,640	0.4	0.2	0.1	1,321	861	460
1,749.0	Wayne Valley hs	Locker Locker 133BI Girls	1	11W CF SCREW IN	square surface mt.	6		NO RETRO	no change	3,640	0.1	0.1		284	284	
1,750.0	Wayne Valley hs	Locker Locker Bath	1	2L4' T8 28w/ELEE LO	trof acr	2	2	2L4' LED 13w/ELEE LO/RETUBE ONLY	retube 4' LED	2,548	0.1	0.1	0.0	214	143	71
1,751.0	Wayne Valley hs	Office Office Coach	1	2L4' T8 28w/ELEE HI-8'	wrap	1	1	2L4' LED 13w/ELEE HI/RETUBE ONLY	retube 4' LED	1,988	0.1	0.0	0.0	127	85	42
1,752.0	Wayne Valley hs	Bath Bath Coach	1	2L2' T8 15w/EL LO	vanity	1	1	2L2' LED 7w/ELEE LO/RETUBE ONLY	retube 2' LED	2,548	0.0	0.0	0.0	61	43	18
1,753.0	Wayne Valley hs	Bath Bath Coach	1	2x13W CF HARDWIRED	can rec vert 9"	1		NO RETRO	no change	2,548	0.0	0.0		76	76	
1,754.0	Wayne Valley hs	Gym Gym Main	1	222 WATT LED	high bay	74		NO RETRO	no change already LED	2,408	16.4	16.4		39,559	39,559	
1,755.0	Wayne Valley hs	Storage Storage Gym Main 1	1	23W CF HARDWIRED/EL	hat	1		NO RETRO	no change	500	0.0	0.0		13	13	
1,756.0	Wayne Valley hs	Storage Storage Gym Main 2	1	32W CF SCREW IN	hat	3		NO RETRO	no change	500	0.1	0.1		51	51	
1,757.0	Wayne Valley hs	Storage Storage Gym Main 3	1	32W CF SCREW IN	hat	2		NO RETRO	no change	500	0.1	0.1		34	34	
1,758.0	Wayne Valley hs	Hall Hall 167 To 176	1	2L4' T8 28w/ELEE LO	trof acr	20	20	2L4' LED 13w/ELEE LO/RETUBE ONLY	retube 4' LED	2,548	0.8	0.6	0.2	2,140	1,427	713
1,759.0	Wayne Valley hs	Hall Hall 167 To 176	1	4L4' T8 28w/ELEE LO	decorative	5	5	4L4' LED 13w/ELEE LO/RETUBE ONLY	retube 4' LED	2,548	0.4	0.3	0.1	1,057	713	344
1,760.0	Wayne Valley hs	Cafeteria Cafeteria 167 Multi Purpose	1	250w METAL HALIDE	indirect	11		NO RETRO	no change	3,440	3.2	3.2		11,163	11,163	
1,761.0	Wayne Valley hs	Office Open Office Open 167 Multi Purpose	1	32W CF SCREW IN	can rec hor 6"	5		NO RETRO	no change	3,440	0.2	0.2		585	585	
1,762.0	Wayne Valley hs	Classroom Classroom 168	1	2L4' T8 28w/ELEE HI	trof para dbl switch	9	9	2L4' LED 13w/ELEE HI/RETUBE ONLY	retube 4' LED	1,988	0.6	0.4	0.2	1,145	769	376
1,763.0	Wayne Valley hs	Classroom Classroom 169	1	2L4' T8 28w/ELEE HI	trof para dbl switch	9	9	2L4' LED 13w/ELEE HI/RETUBE ONLY	retube 4' LED	1,988	0.6	0.4	0.2	1,145	769	376
1,764.0	Wayne Valley hs	Classroom Classroom 170	1	2L4' T8 28w/ELEE HI	trof para dbl switch	9	9	2L4' LED 13w/ELEE HI/RETUBE ONLY	retube 4' LED	1,988	0.6	0.4	0.2	1,145	769	376
1,765.0	Wayne Valley hs	Classroom Classroom 171	1	2L4' T8 28w/ELEE HI	trof para dbl switch	9	9	2L4' LED 13w/ELEE HI/RETUBE ONLY	retube 4' LED	1,988	0.6	0.4	0.2	1,145	769	376
1,766.0	Wayne Valley hs	Classroom Classroom 172	1	2L4' T8 28w/ELEE HI	trof para dbl switch	9	9	2L4' LED 13w/ELEE HI/RETUBE ONLY	retube 4' LED	1,988	0.6	0.4	0.2	1,145	769	376
1,767.0	Wayne Valley hs	Bath Bath 171 Br	1	2L2' F40 BIAX/EL	trof acr	1		NO RETRO	no change	2,548	0.1	0.1		161	161	
1,768.0	Wayne Valley hs	Bath Bath 171 Br	1	2L4' T8 28w/ELEE LO	trof acr	3	3	2L4' LED 13w/ELEE LO/RETUBE ONLY	retube 4' LED	2,548	0.1	0.1	0.0	321	214	107
1,769.0	Wayne Valley hs	Closet Closet 171Jc	1	1L4' T8 28w/ELEE HI	wrap	1	1	1L4' LED 13w/ELEE HI/RETUBE ONLY	retube 4' LED	350	0.0	0.0	0.0	12	8	4
1,770.0	Wayne Valley hs	Bath Bath 171Gr	1	2L2' F40 BIAX/EL	trof acr	1		NO RETRO	no change	2,548	0.1	0.1		161	161	
1,771.0	Wayne Valley hs	Bath Bath 171Gr	1	2L4' T8 28w/ELEE LO	trof acr	3	3	2L4' LED 13w/ELEE LO/RETUBE ONLY	retube 4' LED	2,548	0.1	0.1	0.0	321	214	107
1,772.0	Wayne Valley hs	Storage Storage 174Gs	1	1L4' T8 28w/ELEE HI	wrap	3	3	1L4' LED 13w/ELEE HI/RETUBE ONLY	retube 4' LED	500	0.1	0.1	0.0	50	32	17
1,773.0	Wayne Valley hs	Mechanical Mechanical 173Me	1	1L4' T8 28w/ELEE HI	wrap	3	3	1L4' LED 13w/ELEE HI/RETUBE ONLY	retube 4' LED	350	0.1	0.1	0.0	35	23	12
1,774.0	Wayne Valley hs	Classroom Classroom 176	1	6L4' T8 28w/ELEE LO-8'	indirect dbl switch	3	3	3L4' LED 13w/ELEE/RETUBE ONLY	retube 4' LED	1,988	0.4	0.3	0.1	751	573	179
1,775.0	Wayne Valley hs	Classroom Classroom 176	1	3L4' T8 28w/ELEE LO	indirect dbl switch	6	6	3L4' LED 13w/ELEE LO/RETUBE ONLY	retube 4' LED	1,988	1.1	0.8	0.3	2,254	1,503	751
1,776.0	Wayne Valley hs	Classroom Classroom 175	1	6L4' T8 28w/ELEE LO-8'	indirect dbl switch	3	3	3L4' LED 13w/ELEE/RETUBE ONLY	retube 4' LED	1,988	0.4	0.3	0.1	751	573	179
1,777.0	Wayne Valley hs	Classroom Classroom 175	1	3L4' T8 28w/ELEE LO	indirect dbl switch	6	6	3L4' LED 13w/ELEE LO/RETUBE ONLY	retube 4' LED	1,988	1.1	0.8	0.3	2,254	1,503	751
1,778.0	Wayne Valley hs	Hall Hall 175 To Fire Doors	1	2L4' T8 28w/ELEE LO	trof acr	9	9	2L4' LED 13w/ELEE LO/RETUBE ONLY	retube 4' LED	1,820	0.4	0.3	0.1	688	459	229
1,779.0	Wayne Valley hs	Hall Hall 162 To 146	1	2L4' T8 28w/ELEE LO	trof acr	19	19	2L4' LED 13w/ELEE LO/RETUBE ONLY	retube 4' LED	3,640	0.8	0.5	0.3	2,905	1,936	968
1,780.0	Wayne Valley hs	Hall Hall 162 To 146	1	2L4' T8 28w/ELEE LO	trof acr	11	11	2L4' LED 13w/ELEE LO/RETUBE ONLY	retube 4' LED	1,820	0.5	0.3	0.2	841	561	280
1,781.0	Wayne Valley hs	Hall Hall 163 To 165	1	2L4' T8 28w/ELEE LO	trof acr	8	8	2L4' LED 13w/ELEE LO/RETUBE ONLY	retube 4' LED	3,640	0.3	0.2	0.1	1,223	815	408
1,782.0	Wayne Valley hs	Hall Hall 163 To 165	1	2L4' T8 28w/ELEE LO	trof acr	4	4	2L4' LED 13w/ELEE LO/RETUBE ONLY	retube 4' LED	1,820	0.2	0.1	0.1	306	204	102
1,783.0	Wayne Valley hs	Classroom Classroom 163	1	2L4' T8 28w/ELEE HI-8'	wrap	9	9	2L4' LED 13w/ELEE HI/RETUBE ONLY	retube 4' LED	1,988	0.6	0.4	0.2	1,145	769	376
1,784.0	Wayne Valley hs	Classroom Classroom 163	1	1L4' T8 28w/ELEE HI	wrap	3	3	1L4' LED 13w/ELEE HI/RETUBE ONLY	retube 4' LED	1,988	0.1	0.1	0.0	197	128	69
1,785.0	Wayne Valley hs	Classroom Classroom 164	1	2L4' T8 28w/ELEE HI-8'	wrap	9	9	2L4' LED 13w/ELEE HI/RETUBE ONLY	retube 4' LED	1,988	0.6	0.4	0.2	1,145	769	376
1,786.0	Wayne Valley hs	Classroom Classroom 164	1	1L4' T8 28w/ELEE HI	wrap	3	3	1L4' LED 13w/ELEE HI/RETUBE ONLY	retube 4' LED	1,988	0.1	0.1	0.0	197	128	69
1,787.0	Wayne Valley hs	Classroom Classroom 165	1	2L4' T8 28w/ELEE HI-8'	wrap	9	9	2L4' LED 13w/ELEE HI/RETUBE ONLY	retube 4' LED	1,988	0.6	0.4	0.2	1,145	769	376
1,788.0	Wayne Valley hs	Classroom Classroom 165	1	1L4' T8 28w/ELEE HI	wrap	3	3	1L4' LED 13w/ELEE HI/RETUBE ONLY	retube 4' LED	1,988	0.1	0.1	0.0	197	128	69
1,789.0	Wayne Valley hs	Classroom Classroom 166	1	2L4' T8 28w/ELEE HI-8'	wrap	9	9	2L4' LED 13w/ELEE HI/RETUBE ONLY	retube 4' LED	1,988	0.6	0.4	0.2	1,145	769	376
1,790.0	Wayne Valley hs	Classroom Classroom 166	1	1L4' T8 28w/ELEE HI	wrap	3	3	1L4' LED 13w/ELEE HI/RETUBE ONLY	retube 4' LED	1,988	0.1	0.1	0.0	197	128	69
1,791.0	Wayne Valley hs	Hall Hall By 167	1	2L4' T8 28w/ELEE LO	trof acr	3	3	2L4' LED 13w/ELEE LO/RETUBE ONLY	retube 4' LED	2,548	0.1	0.1	0.0	321	214	107
1,792.0	Wayne Valley hs	Closet Closet 167	1	1L4' T8 28w/ELEE HI	wrap	3	3	1L4' LED 13w/ELEE HI/RETUBE ONLY	retube 4' LED	350	0.1	0.1	0.0	35	23	12
1,793.0	Wayne Valley hs	Classroom Classroom 144	1	2L4' T8 28w/ELEE HI-8'	wrap	10	10	2L4' LED 13w/ELEE HI/RETUBE ONLY	retube 4' LED	1,988	0.6	0.4	0.2	1,272	855	417
1,794.0	Wayne Valley hs	Office Office 144	1	2L4' T8 28w/ELEE HI-8'	wrap	2	2	2L4' LED 13w/ELEE HI/RETUBE ONLY	retube 4' LED	1,988	0.1	0.1	0.0	254	171	83

Line	Building Name	Location	FI	Pre Fixture Description	Pre Fixture Style	Pre Qty	Pre Qty In Scope	Post Fixture Description	Post Fixture Style	Annual Hours	Pre kW	Post kW	kW Saved Coin.	Pre kWh	Post kWh	kWh Saved
1,868.0	Payson Terhune elem	Classroom Classroom 19	1	2L4' T8 28w/ELEE HI-8'	wrap	6	6	2L4' LED 13w/ELEE HI/RETUBE ONLY	retube 4' LED	1,764	0.4	0.3	0.1	677	455	222
1,869.0	Payson Terhune elem	Classroom Classroom 19	1	1L4' T8 28w/ELEE HI	wrap	3	3	1L4' LED 13w/ELEE HI/RETUBE ONLY	retube 4' LED	1,764	0.1	0.1	0.0	175	114	61
1,870.0	Payson Terhune elem	Bath Bath 19	1	2L2' T8 15w/EL LO	wrap	1	1	2L2' LED 7w/ELEE LO/RETUBE ONLY	retube 2' LED	2,324	0.0	0.0	0.0	56	40	16
1,871.0	Payson Terhune elem	Classroom Classroom 18	1	2L4' T8 28w/ELEE HI-8'	wrap	6	6	2L4' LED 13w/ELEE HI/RETUBE ONLY	retube 4' LED	1,764	0.4	0.3	0.1	677	455	222
1,872.0	Payson Terhune elem	Classroom Classroom 18	1	1L4' T8 28w/ELEE HI	wrap	3	3	1L4' LED 13w/ELEE HI/RETUBE ONLY	retube 4' LED	1,764	0.1	0.1	0.0	175	114	61
1,873.0	Payson Terhune elem	Bath Bath 18	1	2L2' T8 15w/EL LO	wrap	1	1	2L2' LED 7w/ELEE LO/RETUBE ONLY	retube 2' LED	2,324	0.0	0.0	0.0	56	40	16
1,874.0	Payson Terhune elem	Classroom Classroom 17	1	2L4' T8 28w/ELEE HI-8'	wrap	9	9	2L4' LED 13w/ELEE HI/RETUBE ONLY	retube 4' LED	1,764	0.6	0.4	0.2	1,016	683	333
1,875.0	Payson Terhune elem	Classroom Classroom 17	1	1L4' T8 28w/ELEE HI	wrap	9	9	1L4' LED 13w/ELEE HI/RETUBE ONLY	retube 4' LED	1,764	0.3	0.2	0.1	524	341	183
1,876.0	Payson Terhune elem	Bath Bath 17	1	2L2' T8 15w/EL LO	wrap	1	1	2L2' LED 7w/ELEE LO/RETUBE ONLY	retube 2' LED	2,324	0.0	0.0	0.0	56	40	16
1,877.0	Payson Terhune elem	Hall Hall By 17	1	2L4' T8 28w/ELEE	trof acr	2	2	2L4' LED 13w/ELEE/RETUBE ONLY	retube 4' LED	2,534	0.1	0.1	0.0	243	162	81
1,878.0	Payson Terhune elem	Classroom Classroom 16	1	2L4' T8 28w/ELEE HI-8'	wrap	9	9	2L4' LED 13w/ELEE HI/RETUBE ONLY	retube 4' LED	1,764	0.6	0.4	0.2	1,016	683	333
1,879.0	Payson Terhune elem	Classroom Classroom 16	1	1L4' T8 28w/ELEE HI	wrap	6	6	1L4' LED 13w/ELEE HI/RETUBE ONLY	retube 4' LED	1,764	0.2	0.1	0.1	349	228	122
1,880.0	Payson Terhune elem	Bath Bath 16	1	2L2' T8 15w/EL LO	wrap	1	1	2L2' LED 7w/ELEE LO/RETUBE ONLY	retube 2' LED	2,324	0.0	0.0	0.0	56	40	16
1,881.0	Payson Terhune elem	Classroom Classroom 15	1	2L4' T8 28w/ELEE HI-8'	wrap	9	9	2L4' LED 13w/ELEE HI/RETUBE ONLY	retube 4' LED	1,764	0.6	0.4	0.2	1,016	683	333
1,882.0	Payson Terhune elem	Classroom Classroom 15	1	1L4' T8 28w/ELEE HI	wrap	6	6	1L4' LED 13w/ELEE HI/RETUBE ONLY	retube 4' LED	1,764	0.2	0.1	0.1	349	228	122
1,883.0	Payson Terhune elem	Bath Bath 15	1	2L2' T8 15w/EL LO	wrap	1	1	2L2' LED 7w/ELEE LO/RETUBE ONLY	retube 2' LED	2,324	0.0	0.0	0.0	56	40	16
1,884.0	Payson Terhune elem	Classroom Classroom 14	1	2L4' T8 28w/ELEE HI-8'	wrap	6	6	2L4' LED 13w/ELEE HI/RETUBE ONLY	retube 4' LED	1,764	0.4	0.3	0.1	677	455	222
1,885.0	Payson Terhune elem	Classroom Classroom 14	1	1L4' T8 28w/ELEE HI	wrap	3	3	1L4' LED 13w/ELEE HI/RETUBE ONLY	retube 4' LED	1,764	0.1	0.1	0.0	175	114	61
1,886.0	Payson Terhune elem	Bath Bath 14	1	2L2' T8 15w/EL LO	wrap	1	1	2L2' LED 7w/ELEE LO/RETUBE ONLY	retube 2' LED	2,324	0.0	0.0	0.0	56	40	16
1,887.0	Payson Terhune elem	Classroom Classroom 13	1	2L4' T8 28w/ELEE HI-8'	wrap	6	6	2L4' LED 13w/ELEE HI/RETUBE ONLY	retube 4' LED	1,764	0.4	0.3	0.1	677	455	222
1,888.0	Payson Terhune elem	Classroom Classroom 13	1	1L4' T8 28w/ELEE HI	wrap	3	3	1L4' LED 13w/ELEE HI/RETUBE ONLY	retube 4' LED	1,764	0.1	0.1	0.0	175	114	61
1,889.0	Payson Terhune elem	Bath Bath 13	1	2L2' T8 15w/EL LO	wrap	1	1	2L2' LED 7w/ELEE LO/RETUBE ONLY	retube 2' LED	2,324	0.0	0.0	0.0	56	40	16
1,890.0	Payson Terhune elem	Storage Storage Equipment	1	1L4' T8 28w/ELEE HI	wrap	2	2	1L4' LED 13w/ELEE HI/RETUBE ONLY	retube 4' LED	350	0.1	0.0	0.0	23	15	8
1,891.0	Payson Terhune elem	Bath Bath Women	1	2L4' T8 28w/ELEE HI-8'	wrap	1	1	2L4' LED 13w/ELEE HI/RETUBE ONLY	retube 4' LED	2,324	0.1	0.0	0.0	149	100	49
1,892.0	Payson Terhune elem	Bath Bath Women	1	2L2' T8 15w/EL LO	vanity	1	1	2L2' LED 7w/ELEE LO/RETUBE ONLY	retube 2' LED	2,324	0.0	0.0	0.0	56	40	16
1,893.0	Payson Terhune elem	Closet Closet Clean	1	23W CF SCREWIN	keyless	1	1	NO RETRO	no change	350	0.0	0.0		9	9	
1,894.0	Payson Terhune elem	Bath Bath Men	1	2L4' T8 28w/ELEE HI-8'	wrap	1	1	2L4' LED 13w/ELEE HI/RETUBE ONLY	retube 4' LED	2,324	0.1	0.0	0.0	149	100	49
1,895.0	Payson Terhune elem	Bath Bath Men	1	2L2' T8 15w/EL LO	vanity	1	1	2L2' LED 7w/ELEE LO/RETUBE ONLY	retube 2' LED	2,324	0.0	0.0	0.0	56	40	16
1,896.0	Payson Terhune elem	Office Office Custodial	1	3L4' T8 28w/ELEE LO	industrial	4	4	3L4' LED 13w/ELEE LO/RETUBE ONLY	retube 4' LED	1,624	0.3	0.2	0.1	409	273	136
1,897.0	Payson Terhune elem	Mechanical Mechanical Boiler	1	2L4' T8 28w/ELEE LO	wrap	6	6	2L4' LED 13w/ELEE LO/RETUBE ONLY	retube 4' LED	350	0.3	0.2	0.1	88	59	29
1,898.0	Payson Terhune elem	Closet Closet Books	1	1L4' T8 28w/ELEE HI	wrap	1	1	1L4' LED 13w/ELEE HI/RETUBE ONLY	retube 4' LED	350	0.0	0.0	0.0	12	8	4
1,899.0	Payson Terhune elem	Storage Storage Equipment	1	1L4' T8 28w/ELEE HI	wrap	4	4	1L4' LED 13w/ELEE HI/RETUBE ONLY	retube 4' LED	500	0.1	0.1	0.0	66	43	23
1,900.0	Payson Terhune elem	Closet Closet Books	1	2L2' T8 15w/EL LO	wrap	1	1	2L2' LED 7w/ELEE LO/RETUBE ONLY	retube 2' LED	350	0.0	0.0	0.0	8	6	2
1,901.0	Payson Terhune elem	Kitchen Kitchen Serving Line	1	4L4' T8 28w/ELEE LO-8'	wrap	12	12	4L4' LED 13w/ELEE LO/RETUBE ONLY	retube 4' LED	1,920	1.0	0.7	0.3	1,912	1,290	622
1,902.0	Payson Terhune elem	Kitchen Kitchen Serving Line	1	2L4' T8 28w/ELEE LO	wrap	2	2	2L4' LED 13w/ELEE LO/RETUBE ONLY	retube 4' LED	1,920	0.1	0.1	0.0	161	108	54
1,903.0	Payson Terhune elem	Kitchen Kitchen Grease Hood	1	23W CF SCREWIN	jar	2	2	NO RETRO	no change	1,920	0.1	0.1		96	96	
1,904.0	Payson Terhune elem	Kitchen Kitchen Wash Area	1	2L4' T8 28w/ELEE LO	wrap	1	1	2L4' LED 13w/ELEE LO/RETUBE ONLY	retube 4' LED	1,920	0.0	0.0	0.0	81	54	27
1,905.0	Payson Terhune elem	Kitchen Kitchen Wash Area	1	11W CF SCREWIN	sconce	10	10	NO RETRO	no change	1,920	0.1	0.1		250	250	
1,906.0	Payson Terhune elem	Storage Storage Dry Goods	1	1L4' T8 28w/ELEE HI	wrap	1	1	1L4' LED 13w/ELEE HI/RETUBE ONLY	retube 4' LED	350	0.0	0.0	0.0	12	8	4
1,907.0	Payson Terhune elem	Lounge Lounge Staff	1	4L4' T8 28w/ELEE LO	decorative	2	2	4L4' LED 13w/ELEE LO/RETUBE ONLY	retube 4' LED	1,764	0.2	0.1	0.0	293	198	95
1,908.0	Payson Terhune elem	Office Open Office Open Main	1	2L4' T8 28w/ELEE HI	trof acr	7	7	2L4' LED 13w/ELEE HI/RETUBE ONLY	retube 4' LED	1,904	0.4	0.3	0.1	853	573	280
1,909.0	Payson Terhune elem	Office Office Principal	1	2L4' T8 28w/ELEE HI	trof acr	4	4	2L4' LED 13w/ELEE HI/RETUBE ONLY	retube 4' LED	1,624	0.3	0.2	0.1	416	279	136
1,910.0	Payson Terhune elem	Office Office Copy	1	2L4' T8 28w/ELEE HI	trof acr	1	1	2L4' LED 13w/ELEE HI/RETUBE ONLY	retube 4' LED	1,624	0.1	0.0	0.0	104	70	34
1,911.0	Payson Terhune elem	Office Office Nurse	1	2L4' T8 28w/ELEE HI-8'	wrap	2	2	2L4' LED 13w/ELEE HI/RETUBE ONLY	retube 4' LED	1,624	0.1	0.1	0.0	208	140	68
1,912.0	Payson Terhune elem	Office Office Nurse	1	1L4' T8 28w/ELEE HI	wrap	2	2	1L4' LED 13w/ELEE HI/RETUBE ONLY	retube 4' LED	1,624	0.1	0.0	0.0	107	70	37
1,913.0	Payson Terhune elem	Office Office Nurse	1	11 WATT LED	can rec vert	1	1	NO RETRO	no change already LED	1,624	0.0	0.0		18	18	
1,914.0	Payson Terhune elem	Bath Bath Nurse	1	2L2' T8 15w/EL LO	wrap	1	1	2L2' LED 7w/ELEE LO/RETUBE ONLY	retube 2' LED	2,324	0.0	0.0	0.0	56	40	16
1,915.0	Payson Terhune elem	Bath Bath Unisex	1	2L4' T8 28w/ELEE HI	trof acr	1	1	2L4' LED 13w/ELEE HI/RETUBE ONLY	retube 4' LED	2,324	0.1	0.0	0.0	149	100	49
1,916.0	Payson Terhune elem	Conference Conference Cst	1	2L4' T8 28w/ELEE HI	trof acr	4	4	2L4' LED 13w/ELEE HI/RETUBE ONLY	retube 4' LED	1,624	0.3	0.2	0.1	416	279	136
1,917.0	Payson Terhune elem	Classroom Classroom Reading	1	2L4' T8 28w/ELEE HI	trof acr	4	4	2L4' LED 13w/ELEE HI/RETUBE ONLY	retube 4' LED	1,764	0.3	0.2	0.1	452	303	148
1,918.0	Payson Terhune elem	Classroom Classroom 101A	1	2L4' T8 28w/ELEE HI	trof acr	7	7	2L4' LED 13w/ELEE HI/RETUBE ONLY	retube 4' LED	1,764	0.4	0.3	0.1	790	531	259



Wayne NJ

Phase 2 Lighting Scope of Work

Line	Building Name	Location	FI	Pre Fixture Description	Pre Fixture Style	Pre Qty	Pre Qty In Scope	Post Fixture Description	Post Fixture Style	Annual Hours	Pre kW	Post kW	kW Saved Coin.	Pre kWh	Post kWh	kWh Saved
1,919.0	Payson Terhune elem	Classroom Classroom 101B	1	2L4' T8 28w/ELEE HI	trof acr	7	7	2L4' LED 13w/ELEE HI/RETUBE ONLY	retube 4' LED	1,764	0.4	0.3	0.1	790	531	259
1,920.0	Payson Terhune elem	Bath Bath 101B	1	2L4' T8 28w/ELEE HI	trof acr	1	1	2L4' LED 13w/ELEE HI/RETUBE ONLY	retube 4' LED	2,324	0.1	0.0	0.0	149	100	49
1,921.0	Payson Terhune elem	Classroom Classroom 103A	1	2L4' T8 28w/ELEE HI	trof acr	7	7	2L4' LED 13w/ELEE HI/RETUBE ONLY	retube 4' LED	1,764	0.4	0.3	0.1	790	531	259
1,922.0	Payson Terhune elem	Classroom Classroom 103B	1	2L4' T8 28w/ELEE HI	trof acr	7	7	2L4' LED 13w/ELEE HI/RETUBE ONLY	retube 4' LED	1,764	0.4	0.3	0.1	790	531	259
1,923.0	Payson Terhune elem	Bath Bath 103B	1	2L4' T8 28w/ELEE HI	trof acr	1	1	2L4' LED 13w/ELEE HI/RETUBE ONLY	retube 4' LED	2,324	0.1	0.0	0.0	149	100	49
1,924.0	Payson Terhune elem	Classroom Classroom 100	1	2L4' T8 28w/ELEE HI	trof acr	10	10	2L4' LED 13w/ELEE HI/RETUBE ONLY	retube 4' LED	1,764	0.6	0.4	0.2	1,129	759	370
1,925.0	Payson Terhune elem	Bath Bath 100	1	2L4' T8 28w/ELEE HI	trof acr	1	1	2L4' LED 13w/ELEE HI/RETUBE ONLY	retube 4' LED	2,324	0.1	0.0	0.0	149	100	49
1,926.0	Payson Terhune elem	Classroom Classroom 102	1	2L4' T8 28w/ELEE HI	trof acr	10	10	2L4' LED 13w/ELEE HI/RETUBE ONLY	retube 4' LED	1,764	0.6	0.4	0.2	1,129	759	370
1,927.0	Payson Terhune elem	Bath Bath 102	1	2L4' T8 28w/ELEE HI	trof acr	1	1	2L4' LED 13w/ELEE HI/RETUBE ONLY	retube 4' LED	2,324	0.1	0.0	0.0	149	100	49
1,928.0	Payson Terhune elem	Hall Hall 102 To Gym	1	2L4' T8 28w/ELEE HI	trof acr	7	7	2L4' LED 13w/ELEE HI/RETUBE ONLY	retube 4' LED	3,620	0.3	0.2	0.1	1,216	811	405
1,929.0	Payson Terhune elem	Hall Hall 102 To Gym	1	2L4' T8 28w/ELEE HI	trof acr	16	16	2L4' LED 13w/ELEE HI/RETUBE ONLY	retube 4' LED	3,620	0.8	0.5	0.3	2,780	1,853	927
1,930.0	Payson Terhune elem	Hall Hall 102 To Gym	1	2L2' T8 15w/EL	trof acr	2	2	2L2' LED 7w/ELEE/RETUBE ONLY	retube 2' LED	3,620	0.1	0.0	0.0	203	138	65
1,931.0	Payson Terhune elem	Hall Hall Display Case	1	1L4' T8 28w/ELEE LO	trof acr 6" wide	1	1	1L4' LED 13w/ELEE LO/RETUBE ONLY	retube 4' LED	2,534	0.0	0.0	0.0	56	35	20
1,932.0	Payson Terhune elem	Gym Gym Multipurpose	1	46 WATT LED	lowbay	17		NO RETRO	no change already LED	2,044	0.8	0.8		1,598	1,598	
1,933.0	Payson Terhune elem	Storage Storage Chairs	1	23W CF SCREW IN	jar	2		NO RETRO	no change	350	0.1	0.1		18	18	
1,934.0	Payson Terhune elem	Classroom Classroom 12	1	2L4' T8 28w/ELEE HI-8'	wrap	6	6	2L4' LED 13w/ELEE HI/RETUBE ONLY	retube 4' LED	1,764	0.4	0.3	0.1	677	455	222
1,935.0	Payson Terhune elem	Classroom Classroom 12	1	1L4' T8 28w/ELEE HI	wrap	3	3	1L4' LED 13w/ELEE HI/RETUBE ONLY	retube 4' LED	1,764	0.1	0.1	0.0	175	114	61
1,936.0	Payson Terhune elem	Bath Bath 12	1	2L2' T8 15w/EL LO	wrap	1	1	2L2' LED 7w/ELEE LO/RETUBE ONLY	retube 2' LED	2,324	0.0	0.0	0.0	56	40	16
1,937.0	Payson Terhune elem	Classroom Classroom 11	1	2L4' T8 28w/ELEE HI-8'	wrap	6	6	2L4' LED 13w/ELEE HI/RETUBE ONLY	retube 4' LED	1,764	0.4	0.3	0.1	677	455	222
1,938.0	Payson Terhune elem	Classroom Classroom 11	1	1L4' T8 28w/ELEE HI	wrap	3	3	1L4' LED 13w/ELEE HI/RETUBE ONLY	retube 4' LED	1,764	0.1	0.1	0.0	175	114	61
1,939.0	Payson Terhune elem	Bath Bath 11	1	2L2' T8 15w/EL LO	wrap	1	1	2L2' LED 7w/ELEE LO/RETUBE ONLY	retube 2' LED	2,324	0.0	0.0	0.0	56	40	16
1,940.0	Payson Terhune elem	Classroom Classroom 10	1	2L4' T8 28w/ELEE HI-8'	wrap	6	6	2L4' LED 13w/ELEE HI/RETUBE ONLY	retube 4' LED	1,764	0.4	0.3	0.1	677	455	222
1,941.0	Payson Terhune elem	Classroom Classroom 10	1	1L4' T8 28w/ELEE HI	wrap	3	3	1L4' LED 13w/ELEE HI/RETUBE ONLY	retube 4' LED	1,764	0.1	0.1	0.0	175	114	61
1,942.0	Payson Terhune elem	Bath Bath 10	1	2L2' T8 15w/EL LO	wrap	1	1	2L2' LED 7w/ELEE LO/RETUBE ONLY	retube 2' LED	2,324	0.0	0.0	0.0	56	40	16
1,943.0	Payson Terhune elem	Classroom Classroom 3	1	2L4' T8 28w/ELEE HI-8'	wrap	6	6	2L4' LED 13w/ELEE HI/RETUBE ONLY	retube 4' LED	1,764	0.4	0.3	0.1	677	455	222
1,944.0	Payson Terhune elem	Classroom Classroom 3	1	1L4' T8 28w/ELEE HI	wrap	3	3	1L4' LED 13w/ELEE HI/RETUBE ONLY	retube 4' LED	1,764	0.1	0.1	0.0	175	114	61
1,945.0	Payson Terhune elem	Bath Bath 3	1	2L2' T8 15w/EL LO	wrap	1	1	2L2' LED 7w/ELEE LO/RETUBE ONLY	retube 2' LED	2,324	0.0	0.0	0.0	56	40	16
1,946.0	Payson Terhune elem	Classroom Classroom 2	1	2L4' T8 28w/ELEE HI-8'	wrap	6	6	2L4' LED 13w/ELEE HI/RETUBE ONLY	retube 4' LED	1,764	0.4	0.3	0.1	677	455	222
1,947.0	Payson Terhune elem	Classroom Classroom 2	1	1L4' T8 28w/ELEE HI	wrap	3	3	1L4' LED 13w/ELEE HI/RETUBE ONLY	retube 4' LED	1,764	0.1	0.1	0.0	175	114	61
1,948.0	Payson Terhune elem	Bath Bath 2	1	2L2' T8 15w/EL LO	wrap	1	1	2L2' LED 7w/ELEE LO/RETUBE ONLY	retube 2' LED	2,324	0.0	0.0	0.0	56	40	16
1,949.0	Payson Terhune elem	Classroom Classroom 1	1	2L4' T8 28w/ELEE HI-8'	wrap	6	6	2L4' LED 13w/ELEE HI/RETUBE ONLY	retube 4' LED	1,764	0.4	0.3	0.1	677	455	222
1,950.0	Payson Terhune elem	Classroom Classroom 1	1	1L4' T8 28w/ELEE HI	wrap	3	3	1L4' LED 13w/ELEE HI/RETUBE ONLY	retube 4' LED	1,764	0.1	0.1	0.0	175	114	61
1,951.0	Payson Terhune elem	Bath Bath 1	1	2L2' T8 15w/EL LO	wrap	1	1	2L2' LED 7w/ELEE LO/RETUBE ONLY	retube 2' LED	2,324	0.0	0.0	0.0	56	40	16
1,952.0	Payson Terhune elem	Hall Hall By Classroom 3	1	2L2' T8 15w/EL	trof acr	3	3	2L2' LED 7w/ELEE/RETUBE ONLY	retube 2' LED	2,534	0.1	0.1	0.0	213	144	68
1,953.0	Payson Terhune elem	Stage Stage	1	4L4' T8 28w/ELEE LO-8'	strip	4	4	4L4' LED 13w/ELEE LO/RETUBE ONLY	retube 4' LED	2,920	0.3	0.2	0.1	969	654	315
1,954.0	Payson Terhune elem	Stage Stage	1	150w INCANDESCENT	decorative	2		NO RETRO	no change	2,920	0.3	0.3		876	876	
1,955.0	Payson Terhune elem	Classroom Classroom 4	1	2L4' T8 28w/ELEE HI-8'	wrap	9	9	2L4' LED 13w/ELEE HI/RETUBE ONLY	retube 4' LED	1,764	0.6	0.4	0.2	1,016	683	333
1,956.0	Payson Terhune elem	Classroom Classroom 5	1	2L4' T8 28w/ELEE HI-8'	wrap	9	9	2L4' LED 13w/ELEE HI/RETUBE ONLY	retube 4' LED	1,764	0.6	0.4	0.2	1,016	683	333
1,957.0	Payson Terhune elem	Classroom Classroom 6	1	2L4' T8 28w/ELEE HI-8'	wrap	9	9	2L4' LED 13w/ELEE HI/RETUBE ONLY	retube 4' LED	1,764	0.6	0.4	0.2	1,016	683	333
1,958.0	Payson Terhune elem	Classroom Classroom 7	1	2L4' T8 28w/ELEE HI-8'	wrap	9	9	2L4' LED 13w/ELEE HI/RETUBE ONLY	retube 4' LED	1,764	0.6	0.4	0.2	1,016	683	333
1,959.0	Payson Terhune elem	Classroom Classroom 8	1	2L4' T8 28w/ELEE HI-8'	wrap	9	9	2L4' LED 13w/ELEE HI/RETUBE ONLY	retube 4' LED	1,764	0.6	0.4	0.2	1,016	683	333
1,960.0	Payson Terhune elem	Classroom Classroom 9	1	2L4' T8 28w/ELEE HI-8'	wrap	9	9	2L4' LED 13w/ELEE HI/RETUBE ONLY	retube 4' LED	1,764	0.6	0.4	0.2	1,016	683	333
1,961.0	Payson Terhune elem	Hall Hall 4 To Lib	1	2L2' T8 15w/EL	trof acr	4	4	2L2' LED 7w/ELEE/RETUBE ONLY	retube 2' LED	3,620	0.1	0.1	0.0	405	275	130
1,962.0	Payson Terhune elem	Bath Bath Boys	1	1L4' T8 28w/ELEE HI	wrap	2	2	1L4' LED 13w/ELEE HI/RETUBE ONLY	retube 4' LED	2,324	0.1	0.0	0.0	153	100	53
1,963.0	Payson Terhune elem	Bath Bath Boys	1	2L4' T8 28w/ELEE LO	vanity	1	1	2L4' LED 13w/ELEE LO/RETUBE ONLY	retube 4' LED	2,324	0.0	0.0	0.0	98	65	33
1,964.0	Payson Terhune elem	Bath Bath Girls	1	2L2' T8 15w/EL LO	wrap	1	1	2L2' LED 7w/ELEE LO/RETUBE ONLY	retube 2' LED	2,324	0.0	0.0	0.0	56	40	16
1,965.0	Payson Terhune elem	Bath Bath Girls	1	2L4' T8 28w/ELEE LO	vanity	1	1	2L4' LED 13w/ELEE LO/RETUBE ONLY	retube 4' LED	2,324	0.0	0.0	0.0	98	65	33
1,966.0	Payson Terhune elem	Hall Hall 9 To Media	1	2L2' T8 15w/EL	trof acr	4	4	2L2' LED 7w/ELEE/RETUBE ONLY	retube 2' LED	3,620	0.1	0.1	0.0	405	275	130
1,967.0	Payson Terhune elem	Closet Closet Pto	1	1L4' T8 28w/ELEE HI	wrap	1	1	1L4' LED 13w/ELEE HI/RETUBE ONLY	retube 4' LED	350	0.0	0.0	0.0	12	8	4
1,968.0	Payson Terhune elem	Library Library	1	1L4' T8 28w/ELEE HI	wrap	13	13	1L4' LED 13w/ELEE HI/RETUBE ONLY	retube 4' LED	2,520	0.4	0.3	0.1	1,081	704	377
1,969.0	Payson Terhune elem	Library Library	1	4L4' T8 28w/ELEE LO-8'	indirect/direct	15	15	4L4' LED 13w/ELEE LO/RETUBE ONLY	retube 4' LED	2,520	1.2	0.8	0.4	3,137	2,117	1,021



Line	Building Name	Location	FI	Pre Fixture Description	Pre Fixture Style	Pre Qty	Pre Qty In Scope	Post Fixture Description	Post Fixture Style	Annual Hours	Pre kW	Post kW	kW Saved Coin.	Pre kWh	Post kWh	kWh Saved
1,970.0	Payson Terhune elem	Office Office Librarian	1	2L4' T8 28w/ELEE HI	trof acr	4	4	2L4' LED 13w/ELEE HI/RETUBE ONLY	retube 4' LED	1,624	0.3	0.2	0.1	416	279	136
1,971.0	Payson Terhune elem	Office Office Librarian	1	2L2' T8 15w/EL	trof acr	1	1	2L2' LED 7w/ELEE HI/RETUBE ONLY	retube 2' LED	1,624	0.0	0.0	0.0	54	44	10
1,972.0	Payson Terhune elem	Closet Closet Server	1	2L2' T8 15w/EL	trof acr	2	2	2L2' LED 7w/ELEE HI/RETUBE ONLY	retube 2' LED	350	0.1	0.1	0.0	23	19	4
1,979.0	Pines Lake Elem	Classroom Classroom Portables	1	2L4' T8 28w/ELEE HI-8'	wrap	12	12	2L4' LED 13w/ELEE HI/RETUBE ONLY	retube 4' LED	1,764	0.8	0.5	0.2	1,355	910	445
1,980.0	Pines Lake Elem	Classroom Classroom Portables	1	1L4' T8 28w/ELEE HI	wrap	3	3	1L4' LED 13w/ELEE HI/RETUBE ONLY	retube 4' LED	1,764	0.1	0.1	0.0	175	114	61
1,981.0	Pines Lake Elem	Bath Bath Portables	1	1L4' T8 28w/ELEE HI	wrap	1	1	1L4' LED 13w/ELEE HI/RETUBE ONLY	retube 4' LED	2,324	0.0	0.0	0.0	77	50	27
1,982.0	Pines Lake Elem	Classroom Classroom 32	1	2L4' T8 28w/ELEE HI	trof acrylic dbl switch	12	12	2L4' LED 13w/ELEE HI/RETUBE ONLY	retube 4' LED	1,764	0.8	0.5	0.2	1,355	910	445
1,983.0	Pines Lake Elem	Classroom Classroom 31	1	2L4' T8 28w/ELEE HI	trof acrylic dbl switch	12	12	2L4' LED 13w/ELEE HI/RETUBE ONLY	retube 4' LED	1,764	0.8	0.5	0.2	1,355	910	445
1,984.0	Pines Lake Elem	Classroom Classroom 30	1	2L4' T8 28w/ELEE HI	trof acrylic dbl switch	12	12	2L4' LED 13w/ELEE HI/RETUBE ONLY	retube 4' LED	1,764	0.8	0.5	0.2	1,355	910	445
1,985.0	Pines Lake Elem	Classroom Classroom 33	1	2L4' T8 28w/ELEE HI	trof acrylic dbl switch	12	12	2L4' LED 13w/ELEE HI/RETUBE ONLY	retube 4' LED	1,764	0.8	0.5	0.2	1,355	910	445
1,986.0	Pines Lake Elem	Classroom Classroom 34	1	2L4' T8 28w/ELEE HI	trof acrylic dbl switch	12	12	2L4' LED 13w/ELEE HI/RETUBE ONLY	retube 4' LED	1,764	0.8	0.5	0.2	1,355	910	445
1,987.0	Pines Lake Elem	Classroom Classroom 35	1	2L4' T8 28w/ELEE HI	trof acrylic dbl switch	12	12	2L4' LED 13w/ELEE HI/RETUBE ONLY	retube 4' LED	1,764	0.8	0.5	0.2	1,355	910	445
1,988.0	Pines Lake Elem	Hall Hall 34 To 32	1	2L4' T8 28w/ELEE	trof acr	8	8	2L4' LED 13w/ELEE/RETUBE ONLY	retube 4' LED	3,620	0.4	0.3	0.1	1,390	927	463
1,989.0	Pines Lake Elem	Hall Hall 34 To 32	1	2x18W CF HARDWIRED/EL	can rec hor 9"	1	1	NO RETRO	no change	3,620	0.0	0.0	0.0	145	145	
1,990.0	Pines Lake Elem	Classroom Classroom 36	1	2L4' T8 28w/ELEE HI	trof acrylic dbl switch	12	12	2L4' LED 13w/ELEE HI/RETUBE ONLY	retube 4' LED	1,764	0.8	0.5	0.2	1,355	910	445
1,991.0	Pines Lake Elem	Classroom Classroom 37A	1	2L4' T8 28w/ELEE HI	trof acrylic dbl switch	6	6	2L4' LED 13w/ELEE HI/RETUBE ONLY	retube 4' LED	1,764	0.4	0.3	0.1	677	455	222
1,992.0	Pines Lake Elem	Classroom Classroom 37B	1	2L4' T8 28w/ELEE HI	trof acrylic dbl switch	6	6	2L4' LED 13w/ELEE HI/RETUBE ONLY	retube 4' LED	1,764	0.4	0.3	0.1	677	455	222
1,993.0	Pines Lake Elem	Classroom Classroom 38A	1	2L4' T8 28w/ELEE HI	trof acrylic dbl switch	6	6	2L4' LED 13w/ELEE HI/RETUBE ONLY	retube 4' LED	1,764	0.4	0.3	0.1	677	455	222
1,994.0	Pines Lake Elem	Classroom Classroom 38B	1	2L4' T8 28w/ELEE HI	trof acrylic dbl switch	6	6	2L4' LED 13w/ELEE HI/RETUBE ONLY	retube 4' LED	1,764	0.4	0.3	0.1	677	455	222
1,995.0	Pines Lake Elem	Mechanical Mechanical Electrical 1	1	2L4' T8 28w/ELEE HI	trof acr	1	1	2L4' LED 13w/ELEE HI/RETUBE ONLY	retube 4' LED	350	0.1	0.0	0.0	22	15	7
1,996.0	Pines Lake Elem	Mechanical Mechanical Electrical 2	1	2L4' T8 28w/ELEE HI	trof acr	1	1	2L4' LED 13w/ELEE HI/RETUBE ONLY	retube 4' LED	350	0.1	0.0	0.0	22	15	7
1,997.0	Pines Lake Elem	Hall Hall Media Center To 35	1	2L4' T8 28w/ELEE	trof acr	11	11	2L4' LED 13w/ELEE/RETUBE ONLY	retube 4' LED	3,620	0.5	0.4	0.2	1,911	1,274	637
1,998.0	Pines Lake Elem	Hall Hall Media Center To 35	1	2L4' T8 28w/ELEE	trof acr	7	7	2L4' LED 13w/ELEE/RETUBE ONLY	retube 4' LED	1,810	0.3	0.2	0.1	608	405	203
1,999.0	Pines Lake Elem	Hall Hall Media Center To 35	1	2x18W CF HARDWIRED/EL	can rec vert 12"	3	3	NO RETRO	no change	3,620	0.1	0.1	0.0	434	434	
2,000.0	Pines Lake Elem	Bath Bath Boys	1	2L4' T8 28w/ELEE HI	trof acr	4	4	2L4' LED 13w/ELEE HI/RETUBE ONLY	retube 4' LED	2,324	0.3	0.2	0.1	595	400	195
2,001.0	Pines Lake Elem	Bath Bath Girls	1	2L4' T8 28w/ELEE HI	trof acr	4	4	2L4' LED 13w/ELEE HI/RETUBE ONLY	retube 4' LED	2,324	0.3	0.2	0.1	595	400	195
2,002.0	Pines Lake Elem	Hall Hall Door 6 To Door 1	1	2L4' T8 28w/ELEE	trof acr	13	13	2L4' LED 13w/ELEE/RETUBE ONLY	retube 4' LED	3,620	0.6	0.4	0.2	2,259	1,506	753
2,003.0	Pines Lake Elem	Hall Hall Door 6 To Door 1	1	18W CF HARDWIRED	indirect	8	8	NO RETRO	no change	3,620	0.2	0.2	0.0	579	579	
2,004.0	Pines Lake Elem	Office Open Office Open Main	1	2L4' T8 28w/ELEE HI	trof acr	9	9	2L4' LED 13w/ELEE HI/RETUBE ONLY	retube 4' LED	1,904	0.6	0.4	0.2	1,097	737	360
2,005.0	Pines Lake Elem	Storage Storage Work Room	1	2L4' T8 28w/ELEE	trof acr	2	2	2L4' LED 13w/ELEE/RETUBE ONLY	retube 4' LED	1,484	0.1	0.1	0.0	142	95	47
2,006.0	Pines Lake Elem	Bath Bath Unisex	1	2L4' T8 28w/ELEE HI	trof acr	1	1	2L4' LED 13w/ELEE HI/RETUBE ONLY	retube 4' LED	2,324	0.1	0.0	0.0	149	100	49
2,007.0	Pines Lake Elem	Office Office Principal	1	2L4' T8 28w/ELEE HI	trof acr	2	2	2L4' LED 13w/ELEE HI/RETUBE ONLY	retube 4' LED	1,624	0.1	0.1	0.0	208	140	68
2,008.0	Pines Lake Elem	Hall Hall To Gym	1	1L4' T8 28w/ELEE HI	wrap	1	1	1L4' LED 13w/ELEE HI/RETUBE ONLY	retube 4' LED	2,534	0.0	0.0	0.0	84	54	29
2,009.0	Pines Lake Elem	Gym Gym Main	1	172 WATT LED	high bay	8	8	NO RETRO	no change already LED	2,044	1.4	1.4	0.0	2,813	2,813	
2,010.0	Pines Lake Elem	Stage Stage	1	4L4' T5HO 54w/EL	strip	3	3	NO RETRO	no change	2,920	0.7	0.7	0.0	2,050	2,050	
2,011.0	Pines Lake Elem	Stage Stage	1	23W CF SCREW IN	jar	3	3	NO RETRO	no change	2,920	0.1	0.1	0.0	219	219	
2,012.0	Pines Lake Elem	Storage Storage Gym	1	2L2' T8 15w/EL LO	vanity	4	4	2L2' LED 7w/ELEE LO/RETUBE ONLY	retube 2' LED	500	0.1	0.1	0.0	48	34	14
2,013.0	Pines Lake Elem	Hall Hall Gym To 25	1	2L4' T8 28w/ELEE	trof acr	22	22	2L4' LED 13w/ELEE/RETUBE ONLY	retube 4' LED	3,620	1.1	0.7	0.4	3,823	2,548	1,274
2,014.0	Pines Lake Elem	Hall Hall Gym To 25	1	2L4' T8 28w/ELEE	trof acr	5	5	2L4' LED 13w/ELEE/RETUBE ONLY	retube 4' LED	3,620	0.2	0.2	0.1	869	579	290
2,015.0	Pines Lake Elem	Hall Hall Gym To 25	1	2x18W CF HARDWIRED/EL	can rec vert 12"	2	2	NO RETRO	no change	2,534	0.1	0.1	0.0	203	203	
2,016.0	Pines Lake Elem	Classroom Classroom 27	1	1L4' T8 28w/ELEE HI	wrap	15	15	1L4' LED 13w/ELEE HI/RETUBE ONLY	retube 4' LED	1,764	0.5	0.3	0.1	873	569	304
2,017.0	Pines Lake Elem	Classroom Classroom 27	1	2L2' T8 15w/EL	trof acr	4	4	2L2' LED 7w/ELEE HI/RETUBE ONLY	retube 2' LED	1,764	0.1	0.1	0.0	233	191	42
2,018.0	Pines Lake Elem	Bath Bath 27	1	23W CF SCREW IN	jar	1	1	NO RETRO	no change	3,320	0.0	0.0	0.0	83	83	
2,019.0	Pines Lake Elem	Hall Hall Vestibule	1	11W CF SCREW IN	square surface mt.	1	1	NO RETRO	no change	3,620	0.0	0.0	0.0	47	47	
2,020.0	Pines Lake Elem	Classroom Classroom 26	1	1L4' T8 28w/ELEE HI	wrap	15	15	1L4' LED 13w/ELEE HI/RETUBE ONLY	retube 4' LED	1,764	0.5	0.3	0.1	873	569	304
2,021.0	Pines Lake Elem	Classroom Classroom 26	1	2L2' T8 15w/EL	trof acr	4	4	2L2' LED 7w/ELEE HI/RETUBE ONLY	retube 2' LED	1,764	0.1	0.1	0.0	233	191	42
2,022.0	Pines Lake Elem	Bath Bath 26	1	23W CF SCREW IN	jar	1	1	NO RETRO	no change	3,320	0.0	0.0	0.0	83	83	
2,023.0	Pines Lake Elem	Storage Storage 26	1	1L4' T8 28w/ELEE HI	wrap	2	2	1L4' LED 13w/ELEE HI/RETUBE ONLY	retube 4' LED	500	0.1	0.0	0.0	33	22	12
2,024.0	Pines Lake Elem	Cafeteria Cafeteria Seating Area	1	4L4' T8 28w/ELEE LO-8'	indirect/direct	15	15	4L4' LED 13w/ELEE LO/RETUBE ONLY	retube 4' LED	1,904	1.2	0.8	0.3	2,370	1,599	771
2,025.0	Pines Lake Elem	Kitchen Kitchen Prep Area	1	2L4' T8 28w/ELEE LO	wrap	9	9	2L4' LED 13w/ELEE LO/RETUBE ONLY	retube 4' LED	1,920	0.4	0.3	0.1	726	484	242
2,026.0	Pines Lake Elem	Closet Closet Clean	1	32W CF SCREW IN	keyless	2	2	NO RETRO	no change	350	0.1	0.1	0.0	24	24	



Line	Building Name	Location	FI	Pre Fixture Description	Pre Fixture Style	Pre Qty	Pre Qty In Scope	Post Fixture Description	Post Fixture Style	Annual Hours	Pre kW	Post kW	kW Saved Coin.	Pre kWh	Post kWh	kWh Saved
2,027.0	Pines Lake Elem	Storage Storage Dry Goods	1	1L4' T8 28w/ELEE HI	wrap	1	1	1L4' LED 13w/ELEE HI/RETUBE ONLY	retube 4' LED	350	0.0	0.0	0.0	12	8	4
2,028.0	Pines Lake Elem	Office Office Custodian	1	1L4' T8 28w/ELEE HI	wrap	2	2	1L4' LED 13w/ELEE HI/RETUBE ONLY	retube 4' LED	1,624	0.1	0.0	0.0	107	70	37
2,029.0	Pines Lake Elem	Closet Closet Electrical	1	32W CF SCREW IN	jar	1		NO RETRO	no change	500	0.0	0.0		17	17	
2,030.0	Pines Lake Elem	Closet Closet Electrical	1	23W CF SCREW IN	keyless	1		NO RETRO	no change	500	0.0	0.0		13	13	
2,031.0	Pines Lake Elem	Lounge Lounge Teachers	1	1L4' T8 28w/ELEE HI	wrap	1	1	1L4' LED 13w/ELEE HI/RETUBE ONLY	retube 4' LED	1,764	0.0	0.0	0.0	58	38	20
2,032.0	Pines Lake Elem	Lounge Lounge Teachers	1	2L4' T8 28w/ELEE HI-8'	wrap	2	2	2L4' LED 13w/ELEE HI/RETUBE ONLY	retube 4' LED	1,764	0.1	0.1	0.0	226	152	74
2,033.0	Pines Lake Elem	Classroom Classroom 25	1	1L4' T8 28w/ELEE HI	wrap	15	15	1L4' LED 13w/ELEE HI/RETUBE ONLY	retube 4' LED	1,764	0.5	0.3	0.1	873	569	304
2,034.0	Pines Lake Elem	Classroom Classroom 25	1	2L2' T8 15w/EL	trof acr	2	2	2L2' LED 7w/ELEE HI/RETUBE ONLY	retube 2' LED	2,520	0.1	0.1	0.0	166	136	30
2,035.0	Pines Lake Elem	Bath Bath 25	1	23W CF SCREW IN	jar	1		NO RETRO	no change	3,320	0.0	0.0		83	83	
2,036.0	Pines Lake Elem	Closet Closet Supplies	1	13 WATT LED	jar	1		NO RETRO	no change already LED	500	0.0	0.0		7	7	
2,037.0	Pines Lake Elem	Classroom Classroom 24	1	1L4' T8 28w/ELEE HI	wrap	15	15	1L4' LED 13w/ELEE HI/RETUBE ONLY	retube 4' LED	1,764	0.5	0.3	0.1	873	569	304
2,038.0	Pines Lake Elem	Classroom Classroom 24	1	2L2' T8 15w/EL	trof acr	2	2	2L2' LED 7w/ELEE HI/RETUBE ONLY	retube 2' LED	2,520	0.1	0.1	0.0	166	136	30
2,039.0	Pines Lake Elem	Bath Bath 24	1	23W CF SCREW IN	jar	1		NO RETRO	no change	3,320	0.0	0.0		83	83	
2,040.0	Pines Lake Elem	Classroom Classroom 23	1	1L4' T8 28w/ELEE HI	wrap	15	15	1L4' LED 13w/ELEE HI/RETUBE ONLY	retube 4' LED	1,764	0.5	0.3	0.1	873	569	304
2,041.0	Pines Lake Elem	Classroom Classroom 23	1	2L2' T8 15w/EL	trof acr	2	2	2L2' LED 7w/ELEE HI/RETUBE ONLY	retube 2' LED	2,520	0.1	0.1	0.0	166	136	30
2,042.0	Pines Lake Elem	Bath Bath 23	1	23W CF SCREW IN	jar	1		NO RETRO	no change	3,320	0.0	0.0		83	83	
2,043.0	Pines Lake Elem	Closet Closet Clean	1	42W CF HARDWIRED	keyless	1		NO RETRO	no change	350	0.0	0.0		15	15	
2,044.0	Pines Lake Elem	Classroom Classroom 22	1	1L4' T8 28w/ELEE HI	wrap	15	15	1L4' LED 13w/ELEE HI/RETUBE ONLY	retube 4' LED	1,764	0.5	0.3	0.1	873	569	304
2,045.0	Pines Lake Elem	Classroom Classroom 22	1	2L2' T8 15w/EL	trof acr	2	2	2L2' LED 7w/ELEE HI/RETUBE ONLY	retube 2' LED	2,520	0.1	0.1	0.0	166	136	30
2,046.0	Pines Lake Elem	Bath Bath 22	1	23W CF SCREW IN	jar	1		NO RETRO	no change	3,320	0.0	0.0		83	83	
2,047.0	Pines Lake Elem	Classroom Classroom 21	1	1L4' T8 28w/ELEE HI	wrap	15	15	1L4' LED 13w/ELEE HI/RETUBE ONLY	retube 4' LED	1,764	0.5	0.3	0.1	873	569	304
2,048.0	Pines Lake Elem	Classroom Classroom 21	1	2L2' T8 15w/EL	trof acr	2	2	2L2' LED 7w/ELEE HI/RETUBE ONLY	retube 2' LED	2,520	0.1	0.1	0.0	166	136	30
2,049.0	Pines Lake Elem	Bath Bath 21	1	23W CF SCREW IN	jar	1		NO RETRO	no change	3,320	0.0	0.0		83	83	
2,050.0	Pines Lake Elem	Bath Bath Staff	1	2L2' T8 15w/EL LO	wrap	1	1	2L2' LED 7w/ELEE LO/RETUBE ONLY	retube 2' LED	2,324	0.0	0.0	0.0	56	40	16
2,051.0	Pines Lake Elem	Classroom Classroom 20	1	1L4' T8 28w/ELEE HI	wrap	15	15	1L4' LED 13w/ELEE HI/RETUBE ONLY	retube 4' LED	1,764	0.5	0.3	0.1	873	569	304
2,052.0	Pines Lake Elem	Classroom Classroom 20	1	2L2' T8 15w/EL	trof acr	2	2	2L2' LED 7w/ELEE HI/RETUBE ONLY	retube 2' LED	2,520	0.1	0.1	0.0	166	136	30
2,053.0	Pines Lake Elem	Bath Bath 20	1	23W CF SCREW IN	jar	1		NO RETRO	no change	3,320	0.0	0.0		83	83	
2,054.0	Pines Lake Elem	Hall Hall Sg1 To Classroom 9	1	2L4' T8 28w/ELEE	trof acr	16	16	2L4' LED 13w/ELEE/RETUBE ONLY	retube 4' LED	3,620	0.8	0.5	0.3	2,780	1,853	927
2,055.0	Pines Lake Elem	Hall Hall Sg1 To Classroom 9	1	2L3' T8 21w/EL	wrap	1	1	2L3' LED 8.5w/ELEE/RETUBE ONLY	retube 3' LED	3,620	0.0	0.0	0.0	163	83	80
2,056.0	Pines Lake Elem	Mechanical Mechanical Boiler	1	4L4' T8 28w/ELEE LO-8'	strip	1	1	4L4' LED 13w/ELEE LO/RETUBE ONLY	retube 4' LED	350	0.1	0.1	0.0	29	20	9
2,057.0	Pines Lake Elem	Mechanical Mechanical Boiler	1	2L2' T8 15w/EL LO	wrap	3	3	2L2' LED 7w/ELEE LO/RETUBE ONLY	retube 2' LED	350	0.1	0.1	0.0	25	18	7
2,058.0	Pines Lake Elem	Hall Hall Boiler	1	2L4' T8 28w/ELEE LO	wrap	1	1	2L4' LED 13w/ELEE LO/RETUBE ONLY	retube 4' LED	2,534	0.0	0.0	0.0	106	71	35
2,059.0	Pines Lake Elem	Classroom Classroom 1 Sg1	1	2L4' T8 28w/ELEE HI	trof acr	6	6	2L4' LED 13w/ELEE HI/RETUBE ONLY	retube 4' LED	1,764	0.4	0.3	0.1	677	455	222
2,060.0	Pines Lake Elem	Classroom Classroom 2	1	2L4' T8 28w/ELEE HI	trof acr	6	6	2L4' LED 13w/ELEE HI/RETUBE ONLY	retube 4' LED	1,764	0.4	0.3	0.1	677	455	222
2,061.0	Pines Lake Elem	Bath Bath Girls	1	2L4' T8 28w/ELEE HI	box acrylic	2	2	2L4' LED 13w/ELEE HI/RETUBE ONLY	retube 4' LED	2,324	0.1	0.1	0.0	297	200	98
2,062.0	Pines Lake Elem	Classroom Classroom 3	1	2L4' T8 28w/ELEE HI-8'	wrap	9	9	2L4' LED 13w/ELEE HI/RETUBE ONLY	retube 4' LED	1,764	0.6	0.4	0.2	1,016	683	333
2,063.0	Pines Lake Elem	Library Library	1	2L2' T8 15w/EL	trof parabolic	6	6	2L2' LED 7w/ELEE HI/RETUBE ONLY	retube 2' LED	2,520	0.2	0.2	0.0	499	408	91
2,064.0	Pines Lake Elem	Library Library	1	2L2' T8 15w/EL	trof parabolic	19	19	2L2' LED 7w/ELEE HI/RETUBE ONLY	retube 2' LED	2,520	0.6	0.5	0.1	1,580	1,293	287
2,065.0	Pines Lake Elem	Library Library	1	4L4' T8 28w/ELEE LO-8'	indirect	8	8	4L4' LED 13w/ELEE LO/RETUBE ONLY	retube 4' LED	2,520	0.7	0.4	0.2	1,673	1,129	544
2,066.0	Pines Lake Elem	Library Library	1	2x18W CF HARDWIRED/EL	can rec vert 12"	10		NO RETRO	no change	2,520	0.4	0.4		1,008	1,008	
2,067.0	Pines Lake Elem	Library Library	1	6L4' T8 28w/ELEE LO	decorative	6	6	3L4' LED 13w/ELEE/RETUBE ONLY	retube 4' LED	2,520	0.8	0.6	0.2	1,905	1,452	454
2,068.0	Pines Lake Elem	Library Library	1	2L4' T8 28w/ELEE HI	trof acr	6	6	2L4' LED 13w/ELEE HI/RETUBE ONLY	retube 4' LED	2,520	0.4	0.3	0.1	968	650	318
2,069.0	Pines Lake Elem	Office Office Lib	1	2L4' T8 28w/ELEE HI	trof acr	3	3	2L4' LED 13w/ELEE HI/RETUBE ONLY	retube 4' LED	1,624	0.2	0.1	0.1	312	209	102
2,070.0	Pines Lake Elem	Storage Storage Server	1	3L4' T8 28w/ELEE LO	trof acr	2	2	3L4' LED 13w/ELEE LO/RETUBE ONLY	retube 4' LED	350	0.1	0.1	0.0	44	29	15
2,071.0	Pines Lake Elem	Lounge Lounge Staff	1	2L4' T8 28w/ELEE	trof acr	8	8	2L4' LED 13w/ELEE/RETUBE ONLY	retube 4' LED	1,764	0.4	0.3	0.1	677	452	226
2,072.0	Pines Lake Elem	Storage Storage Lounge	1	23W CF SCREW IN	keyless	1		NO RETRO	no change	500	0.0	0.0		13	13	
2,073.0	Pines Lake Elem	Bath Bath Staff	1	2L4' T8 28w/ELEE HI	trof acr	1	1	2L4' LED 13w/ELEE HI/RETUBE ONLY	retube 4' LED	2,324	0.1	0.0	0.0	149	100	49
2,074.0	Pines Lake Elem	Storage Storage Tables	1	2L4' T8 28w/ELEE HI-8'	wrap	2	2	2L4' LED 13w/ELEE HI/RETUBE ONLY	retube 4' LED	350	0.1	0.1	0.0	45	30	15
2,075.0	Pines Lake Elem	Storage Storage Tables	1	23W CF SCREW IN	hat	1		NO RETRO	no change	350	0.0	0.0		9	9	
2,076.0	Pines Lake Elem	Closet Closet Clean	1	42W CF HARDWIRED	keyless	1		NO RETRO	no change	350	0.0	0.0		15	15	
2,077.0	Pines Lake Elem	Bath Bath Boys	1	2L4' T8 28w/ELEE HI	box acrylic	2	2	2L4' LED 13w/ELEE HI/RETUBE ONLY	retube 4' LED	2,324	0.1	0.1	0.0	297	200	98



Wayne NJ

Phase 2 Lighting Scope of Work

Line	Building Name	Location	FI	Pre Fixture Description	Pre Fixture Style	Pre Qty	Pre Qty In Scope	Post Fixture Description	Post Fixture Style	Annual Hours	Pre kW	Post kW	kW Saved Coin.	Pre kWh	Post kWh	kWh Saved
2,078.0	Pines Lake Elem	Office Office Nurse	1	2L4' T8 28w/ELEE HI-8'	wrap	2	2	2L4' LED 13w/ELEE HI/RETUBE ONLY	retube 4' LED	1,624	0.1	0.1	0.0	208	140	68
2,079.0	Pines Lake Elem	Bath Bath Nurse	1	2L2' T8 15w/EL LO	vanity	1	1	2L2' LED 7w/ELEE LO/RETUBE ONLY	retube 2' LED	2,324	0.0	0.0	0.0	56	40	16
2,080.0	Pines Lake Elem	Classroom Classroom 13 Sgi	1	2L4' T8 28w/ELEE HI-8'	wrap	6	6	2L4' LED 13w/ELEE HI/RETUBE ONLY	retube 4' LED	1,764	0.4	0.3	0.1	677	455	222
2,081.0	Pines Lake Elem	Classroom Classroom 6	1	2L4' T8 28w/ELEE HI-8'	wrap	5	5	2L4' LED 13w/ELEE HI/RETUBE ONLY	retube 4' LED	1,764	0.3	0.2	0.1	564	379	185
2,082.0	Pines Lake Elem	Classroom Classroom 6	1	2L4' T8 28w/ELEE HI-8'	wrap	4	4	2L4' LED 13w/ELEE HI/RETUBE ONLY	retube 4' LED	1,764	0.3	0.2	0.1	452	303	148
2,083.0	Pines Lake Elem	Classroom Classroom 7	1	2L4' T8 28w/ELEE HI-8'	wrap	5	5	2L4' LED 13w/ELEE HI/RETUBE ONLY	retube 4' LED	1,764	0.3	0.2	0.1	564	379	185
2,084.0	Pines Lake Elem	Classroom Classroom 7	1	2L4' T8 28w/ELEE HI-8'	wrap	4	4	2L4' LED 13w/ELEE HI/RETUBE ONLY	retube 4' LED	1,764	0.3	0.2	0.1	452	303	148
2,085.0	Pines Lake Elem	Classroom Classroom 8	1	2L4' T8 28w/ELEE HI-8'	wrap	5	5	2L4' LED 13w/ELEE HI/RETUBE ONLY	retube 4' LED	1,764	0.3	0.2	0.1	564	379	185
2,086.0	Pines Lake Elem	Classroom Classroom 8	1	2L4' T8 28w/ELEE HI-8'	wrap	4	4	2L4' LED 13w/ELEE HI/RETUBE ONLY	retube 4' LED	1,764	0.3	0.2	0.1	452	303	148
2,087.0	Pines Lake Elem	Classroom Classroom 9	1	2L4' T8 28w/ELEE HI-8'	wrap	5	5	2L4' LED 13w/ELEE HI/RETUBE ONLY	retube 4' LED	1,764	0.3	0.2	0.1	564	379	185
2,088.0	Pines Lake Elem	Classroom Classroom 9	1	2L4' T8 28w/ELEE HI-8'	wrap	4	4	2L4' LED 13w/ELEE HI/RETUBE ONLY	retube 4' LED	1,764	0.3	0.2	0.1	452	303	148
2,089.0	Pines Lake Elem	Classroom Classroom 10	1	2L4' T8 28w/ELEE HI-8'	wrap	5	5	2L4' LED 13w/ELEE HI/RETUBE ONLY	retube 4' LED	1,764	0.3	0.2	0.1	564	379	185
2,090.0	Pines Lake Elem	Classroom Classroom 10	1	2L4' T8 28w/ELEE HI-8'	wrap	4	4	2L4' LED 13w/ELEE HI/RETUBE ONLY	retube 4' LED	1,764	0.3	0.2	0.1	452	303	148
2,091.0	Pines Lake Elem	Classroom Classroom 11	1	2L4' T8 28w/ELEE HI-8'	wrap	5	5	2L4' LED 13w/ELEE HI/RETUBE ONLY	retube 4' LED	1,764	0.3	0.2	0.1	564	379	185
2,092.0	Pines Lake Elem	Classroom Classroom 11	1	2L4' T8 28w/ELEE HI-8'	wrap	4	4	2L4' LED 13w/ELEE HI/RETUBE ONLY	retube 4' LED	1,764	0.3	0.2	0.1	452	303	148
2,093.0	Pines Lake Elem	Classroom Classroom 12	1	2L4' T8 28w/ELEE HI-8'	wrap	5	5	2L4' LED 13w/ELEE HI/RETUBE ONLY	retube 4' LED	1,764	0.3	0.2	0.1	564	379	185
2,094.0	Pines Lake Elem	Classroom Classroom 12	1	2L4' T8 28w/ELEE HI-8'	wrap	4	4	2L4' LED 13w/ELEE HI/RETUBE ONLY	retube 4' LED	1,764	0.3	0.2	0.1	452	303	148
2,106.0	Anthony Wayne ms	Stair Stair 4	s	2x18W CF HARDWIRED/EL	sconce	8		NO RETRO	no change	3,640	0.3	0.3		1,165	1,165	
2,107.0	Anthony Wayne ms	Classroom Classroom 227	2	3L4' T8 28w/ELEE LO	indirect/direct dbl switch	16	16	3L4' LED 13w/ELEE LO/RETUBE ONLY	retube 4' LED	1,988	1.0	0.7	0.3	2,004	1,336	668
2,108.0	Anthony Wayne ms	Classroom Classroom 227	2	3L2' T8 15w/EL	indirect dbl switch	4	4	3L2' LED 7w/ELEE/RETUBE ONLY	retube 2' LED	1,988	0.2	0.1	0.0	310	227	83
2,109.0	Anthony Wayne ms	Classroom Classroom 226	2	2L2' T8 15w/EL	trof parabolic	2	2	2L2' LED 7w/ELEE HI/RETUBE ONLY	retube 2' LED	1,988	0.1	0.1	0.0	131	107	24
2,110.0	Anthony Wayne ms	Classroom Classroom 226	2	2L4' T8 28w/ELEE HI	trof para dbl switch	21	21	2L4' LED 13w/ELEE HI/RETUBE ONLY	retube 4' LED	1,988	1.3	0.9	0.4	2,672	1,795	877
2,111.0	Anthony Wayne ms	Classroom Classroom 225	2	2L4' T8 28w/ELEE HI	trof para dbl switch	4	4	2L4' LED 13w/ELEE HI/RETUBE ONLY	retube 4' LED	1,988	0.3	0.2	0.1	509	342	167
2,112.0	Anthony Wayne ms	Classroom Classroom 224	2	2L4' T8 28w/ELEE HI	trof para dbl switch	4	4	2L4' LED 13w/ELEE HI/RETUBE ONLY	retube 4' LED	1,988	0.3	0.2	0.1	509	342	167
2,113.0	Anthony Wayne ms	Classroom Classroom 222	2	2L4' T8 28w/ELEE HI	trof para dbl switch	10	10	2L4' LED 13w/ELEE HI/RETUBE ONLY	retube 4' LED	1,988	0.6	0.4	0.2	1,272	855	417
2,114.0	Anthony Wayne ms	Classroom Classroom 222	2	2L2' T8 15w/EL	trof para dbl switch	2	2	2L2' LED 7w/ELEE HI/RETUBE ONLY	retube 2' LED	1,988	0.1	0.1	0.0	131	107	24
2,115.0	Anthony Wayne ms	Classroom Classroom 223	2	2L4' T8 28w/ELEE HI	trof para dbl switch	10	10	2L4' LED 13w/ELEE HI/RETUBE ONLY	retube 4' LED	1,988	0.6	0.4	0.2	1,272	855	417
2,116.0	Anthony Wayne ms	Classroom Classroom 223	2	2L2' T8 15w/EL	trof para dbl switch	2	2	2L2' LED 7w/ELEE HI/RETUBE ONLY	retube 2' LED	1,988	0.1	0.1	0.0	131	107	24
2,117.0	Anthony Wayne ms	Classroom Classroom 221	2	2L4' T8 28w/ELEE HI	trof para dbl switch	10	10	2L4' LED 13w/ELEE HI/RETUBE ONLY	retube 4' LED	1,988	0.6	0.4	0.2	1,272	855	417
2,118.0	Anthony Wayne ms	Classroom Classroom 221	2	2L2' T8 15w/EL	trof para dbl switch	2	2	2L2' LED 7w/ELEE HI/RETUBE ONLY	retube 2' LED	1,988	0.1	0.1	0.0	131	107	24
2,119.0	Anthony Wayne ms	Classroom Classroom 220	2	2L4' T8 28w/ELEE HI	trof para dbl switch	10	10	2L4' LED 13w/ELEE HI/RETUBE ONLY	retube 4' LED	1,988	0.6	0.4	0.2	1,272	855	417
2,120.0	Anthony Wayne ms	Classroom Classroom 220	2	2L2' T8 15w/EL	trof para dbl switch	2	2	2L2' LED 7w/ELEE HI/RETUBE ONLY	retube 2' LED	1,988	0.1	0.1	0.0	131	107	24
2,121.0	Anthony Wayne ms	Classroom Classroom 219	2	2L4' T8 28w/ELEE HI	trof para dbl switch	10	10	2L4' LED 13w/ELEE HI/RETUBE ONLY	retube 4' LED	1,988	0.6	0.4	0.2	1,272	855	417
2,122.0	Anthony Wayne ms	Classroom Classroom 219	2	2L2' T8 15w/EL	trof para dbl switch	2	2	2L2' LED 7w/ELEE HI/RETUBE ONLY	retube 2' LED	1,988	0.1	0.1	0.0	131	107	24
2,123.0	Anthony Wayne ms	Classroom Classroom 218	2	2L4' T8 28w/ELEE HI	trof para dbl switch	10	10	2L4' LED 13w/ELEE HI/RETUBE ONLY	retube 4' LED	1,988	0.6	0.4	0.2	1,272	855	417
2,124.0	Anthony Wayne ms	Classroom Classroom 218	2	2L2' T8 15w/EL	trof para dbl switch	2	2	2L2' LED 7w/ELEE HI/RETUBE ONLY	retube 2' LED	1,988	0.1	0.1	0.0	131	107	24
2,125.0	Anthony Wayne ms	Hall Hall 226 To 218	2	2L4' T8 28w/ELEE	trof acr	9	9	2L4' LED 13w/ELEE/RETUBE ONLY	retube 4' LED	2,548	0.4	0.3	0.1	1,101	734	367
2,126.0	Anthony Wayne ms	Hall Hall 226 To 218	2	4L4' T8 28w/ELEE LO	decorative	3	3	4L4' LED 13w/ELEE LO/RETUBE ONLY	retube 4' LED	2,548	0.2	0.2	0.1	634	428	206
2,127.0	Anthony Wayne ms	Hall Hall 226 To 218	2	2x18W CF HARDWIRED/EL	can rec hor 9"	12		NO RETRO	no change	2,548	0.5	0.5		1,223	1,223	
2,128.0	Anthony Wayne ms	Storage Storage 218 Dr Data	2	1L4' T8 28w/ELEE HI	wrap	3	3	1L4' LED 13w/ELEE HI/RETUBE ONLY	retube 4' LED	350	0.1	0.1	0.0	35	23	12
2,129.0	Anthony Wayne ms	Stair Stair 3	s	2x18W CF HARDWIRED/EL	sconce	13		NO RETRO	no change	3,640	0.5	0.5		1,893	1,893	
2,130.0	Anthony Wayne ms	Bath Bath Women	2	3L2' F40 BIAX/EL	trof acr	3		NO RETRO	no change	2,548	0.3	0.3		719	719	
2,131.0	Anthony Wayne ms	Bath Bath Women	2	2L2' T8 15w/EL LO	vanity	1	1	2L2' LED 7w/ELEE LO/RETUBE ONLY	retube 2' LED	2,548	0.0	0.0	0.0	61	43	18
2,132.0	Anthony Wayne ms	Storage Storage 219	2	1L4' T8 28w/ELEE HI	wrap	1	1	1L4' LED 13w/ELEE HI/RETUBE ONLY	retube 4' LED	500	0.0	0.0	0.0	17	11	6
2,133.0	Anthony Wayne ms	Bath Bath Girls	2	2L4' T8 28w/ELEE HI	trof acr	3	3	2L4' LED 13w/ELEE HI/RETUBE ONLY	retube 4' LED	2,548	0.2	0.1	0.1	489	329	161
2,134.0	Anthony Wayne ms	Bath Bath Girls	2	2L4' T8 28w/ELEE LO	vanity	2	2	2L4' LED 13w/ELEE LO/RETUBE ONLY	retube 4' LED	2,548	0.1	0.1	0.0	214	143	71
2,135.0	Anthony Wayne ms	Storage Storage 214 Sc	2	3L4' T8 28w/ELEE LO	trof acr	2	2	3L4' LED 13w/ELEE LO/RETUBE ONLY	retube 4' LED	350	0.1	0.1	0.0	44	29	15
2,136.0	Anthony Wayne ms	Closet Closet Clean	2	3L4' T8 28w/ELEE LO	trof acr	1	1	3L4' LED 13w/ELEE LO/RETUBE ONLY	retube 4' LED	350	0.1	0.0	0.0	22	15	7
2,137.0	Anthony Wayne ms	Classroom Classroom 217	2	2L4' T8 28w/ELEE HI	trof para dbl switch	12	12	2L4' LED 13w/ELEE HI/RETUBE ONLY	retube 4' LED	1,988	0.8	0.5	0.2	1,527	1,026	501
2,138.0	Anthony Wayne ms	Classroom Classroom 215	2	2L4' T8 28w/ELEE HI	trof para dbl switch	4	4	2L4' LED 13w/ELEE HI/RETUBE ONLY	retube 4' LED	1,988	0.3	0.2	0.1	509	342	167
2,139.0	Anthony Wayne ms	Hall Hall 281 Dr To 204	2	1L2' F40 BIAX/EL	wrap wide	36		NO RETRO	no change	3,640	1.2	1.2		4,193	4,193	



Wayne NJ

Phase 2 Lighting Scope of Work

Line	Building Name	Location	FI	Pre Fixture Description	Pre Fixture Style	Pre Qty	Pre Qty In Scope	Post Fixture Description	Post Fixture Style	Annual Hours	Pre kW	Post kW	kW Saved Coin.	Pre kWh	Post kWh	kWh Saved
2,140.0	Anthony Wayne ms	Hall Hall 281 Dr To 204	2	2x18W CF HARDWIRED/EL	can rec hor 9"	4		NO RETRO	no change	3,640	0.2	0.2		582	582	
2,141.0	Anthony Wayne ms	Hall Hall 281 Dr To 204	2	4L4' T8 28w/ELEE LO	decorative	1	1	4L4' LED 13w/ELEE LO/RETUBE ONLY	retube 4' LED	3,640	0.1	0.1	0.0	302	204	98
2,142.0	Anthony Wayne ms	Classroom Classroom 214	2	2L4' T8 28w/ELEE HI	trof para dbl switch	15	15	2L4' LED 13w/ELEE HI/RETUBE ONLY	retube 4' LED	1,988	1.0	0.6	0.3	1,908	1,282	626
2,143.0	Anthony Wayne ms	Storage Storage 214Sc	2	3L4' T8 28w/ELEE LO	trof acr	2	2	3L4' LED 13w/ELEE LO/RETUBE ONLY	retube 4' LED	350	0.1	0.1	0.0	44	29	15
2,144.0	Anthony Wayne ms	Office Office Prep Room	2	2L4' T8 28w/ELEE HI	trof para dbl switch	3	3	2L4' LED 13w/ELEE HI/RETUBE ONLY	retube 4' LED	1,988	0.2	0.1	0.1	382	256	125
2,145.0	Anthony Wayne ms	Classroom Classroom 201	2	2L4' T8 28w/ELEE HI	trof para dbl switch	15	15	2L4' LED 13w/ELEE HI/RETUBE ONLY	retube 4' LED	1,988	1.0	0.6	0.3	1,908	1,282	626
2,146.0	Anthony Wayne ms	Storage Storage 201Sc	2	3L2' F40 BIAX/EL	trof acr	1		NO RETRO	no change	350	0.1	0.1		33	33	
2,147.0	Anthony Wayne ms	Hall Hall Rotunda	2	1L2' T5HO 24w/EL	cove	35		NO RETRO	no change	2,548	1.0	1.0		2,586	2,586	
2,148.0	Anthony Wayne ms	Storage Storage 201	2	3L4' T8 28w/ELEE LO	trof acr	2	2	3L4' LED 13w/ELEE LO/RETUBE ONLY	retube 4' LED	350	0.1	0.1	0.0	44	29	15
2,149.0	Anthony Wayne ms	Classroom Classroom 216	2	2L4' T8 28w/ELEE HI	trof para dbl switch	9	9	2L4' LED 13w/ELEE HI/RETUBE ONLY	retube 4' LED	1,988	0.6	0.4	0.2	1,145	769	376
2,150.0	Anthony Wayne ms	Classroom Classroom 216	2	2L2' T8 15w/EL	trof para dbl switch	1	1	2L2' LED 7w/ELEE HI/RETUBE ONLY	retube 2' LED	1,988	0.0	0.0	0.0	66	54	12
2,151.0	Anthony Wayne ms	Office Office Breakout Room	2	100w METAL HALIDE	indirect	4		NO RETRO	no change	1,988	0.5	0.5		954	954	
2,152.0	Anthony Wayne ms	Office Office Breakout Room	2	22 WATT LED	can rec vert	4		NO RETRO	no change already LED	2,840	0.1	0.1		250	250	
2,153.0	Anthony Wayne ms	Classroom Classroom 200	2	2L4' T8 28w/ELEE HI	trof para dbl switch	9	9	2L4' LED 13w/ELEE HI/RETUBE ONLY	retube 4' LED	1,988	0.6	0.4	0.2	1,145	769	376
2,154.0	Anthony Wayne ms	Classroom Classroom 200	2	2L2' T8 15w/EL	trof para dbl switch	1	1	2L2' LED 7w/ELEE HI/RETUBE ONLY	retube 2' LED	1,988	0.0	0.0	0.0	66	54	12
2,155.0	Anthony Wayne ms	Classroom Classroom 203	2	2L4' T8 28w/ELEE HI	trof para dbl switch	4	4	2L4' LED 13w/ELEE HI/RETUBE ONLY	retube 4' LED	1,988	0.3	0.2	0.1	509	342	167
2,156.0	Anthony Wayne ms	Storage Storage 202	2	3L4' T8 28w/ELEE LO	trof acr	1	1	3L4' LED 13w/ELEE LO/RETUBE ONLY	retube 4' LED	350	0.1	0.0	0.0	22	15	7
2,157.0	Anthony Wayne ms	Classroom Classroom 202	2	2L4' T8 28w/ELEE HI	trof para dbl switch	12	12	2L4' LED 13w/ELEE HI/RETUBE ONLY	retube 4' LED	1,988	0.8	0.5	0.2	1,527	1,026	501
2,158.0	Anthony Wayne ms	Bath Bath Boys	2	2L4' T8 28w/ELEE HI	trof acr	4	4	2L4' LED 13w/ELEE HI/RETUBE ONLY	retube 4' LED	2,548	0.3	0.2	0.1	652	438	214
2,159.0	Anthony Wayne ms	Bath Bath Boys	2	2L4' T8 28w/ELEE LO	vanity	2	2	2L4' LED 13w/ELEE LO/RETUBE ONLY	retube 4' LED	2,548	0.1	0.1	0.0	214	143	71
2,160.0	Anthony Wayne ms	Storage Storage 201Sc	2	2L4' T8 28w/ELEE HI	trof parabolic	2	2	2L4' LED 13w/ELEE HI/RETUBE ONLY	retube 4' LED	350	0.1	0.1	0.0	45	30	15
2,161.0	Anthony Wayne ms	Bath Bath Men	2	3L2' F40 BIAX/EL	trof acr	3		NO RETRO	no change	2,548	0.3	0.3		719	719	
2,162.0	Anthony Wayne ms	Bath Bath Men	2	2L2' T8 15w/EL LO	vanity	1	1	2L2' LED 7w/ELEE LO/RETUBE ONLY	retube 2' LED	2,548	0.0	0.0	0.0	61	43	18
2,163.0	Anthony Wayne ms	Stair Stair 2	s	2x18W CF HARDWIRED/EL	sconce	13		NO RETRO	no change	3,640	0.5	0.5		1,893	1,893	
2,164.0	Anthony Wayne ms	Mechanical Mechanical 204 Me	2	1L4' T8 28w/ELEE HI	wrap	3	3	1L4' LED 13w/ELEE HI/RETUBE ONLY	retube 4' LED	500	0.1	0.1	0.0	50	32	17
2,165.0	Anthony Wayne ms	Hall Hall 204 Me To Stair 1	2	2L4' T8 28w/ELEE	trof acr	9	9	2L4' LED 13w/ELEE/RETUBE ONLY	retube 4' LED	2,548	0.4	0.3	0.1	1,101	734	367
2,166.0	Anthony Wayne ms	Hall Hall 204 Me To Stair 1	2	4L4' T8 28w/ELEE LO	decorative	3	3	4L4' LED 13w/ELEE LO/RETUBE ONLY	retube 4' LED	2,548	0.2	0.2	0.1	634	428	206
2,167.0	Anthony Wayne ms	Hall Hall 204 Me To Stair 1	2	2x18W CF HARDWIRED/EL	can rec hor 9"	10		NO RETRO	no change	2,548	0.4	0.4		1,019	1,019	
2,168.0	Anthony Wayne ms	Classroom Classroom 205	2	2L4' T8 28w/ELEE HI	trof para dbl switch	11	11	2L4' LED 13w/ELEE HI/RETUBE ONLY	retube 4' LED	1,988	0.7	0.5	0.2	1,400	940	459
2,169.0	Anthony Wayne ms	Classroom Classroom 205	2	2L2' T8 15w/EL	trof para dbl switch	1	1	2L2' LED 7w/ELEE HI/RETUBE ONLY	retube 2' LED	1,988	0.0	0.0	0.0	66	54	12
2,170.0	Anthony Wayne ms	Storage Storage 205 Sc	2	3L4' T8 28w/ELEE LO	trof acr	1	1	3L4' LED 13w/ELEE LO/RETUBE ONLY	retube 4' LED	350	0.1	0.0	0.0	22	15	7
2,171.0	Anthony Wayne ms	Classroom Classroom 204	2	2L4' T8 28w/ELEE HI	trof para dbl switch	10	10	2L4' LED 13w/ELEE HI/RETUBE ONLY	retube 4' LED	1,988	0.6	0.4	0.2	1,272	855	417
2,172.0	Anthony Wayne ms	Classroom Classroom 204	2	2L2' T8 15w/EL	trof para dbl switch	2	2	2L2' LED 7w/ELEE HI/RETUBE ONLY	retube 2' LED	1,988	0.1	0.1	0.0	131	107	24
2,173.0	Anthony Wayne ms	Classroom Classroom 207	2	2L4' T8 28w/ELEE HI	trof para dbl switch	11	11	2L4' LED 13w/ELEE HI/RETUBE ONLY	retube 4' LED	1,988	0.7	0.5	0.2	1,400	940	459
2,174.0	Anthony Wayne ms	Classroom Classroom 207	2	2L2' T8 15w/EL	trof para dbl switch	1	1	2L2' LED 7w/ELEE HI/RETUBE ONLY	retube 2' LED	1,988	0.0	0.0	0.0	66	54	12
2,175.0	Anthony Wayne ms	Classroom Classroom 204	2	2L4' T8 28w/ELEE HI	trof para dbl switch	9	9	2L4' LED 13w/ELEE HI/RETUBE ONLY	retube 4' LED	1,988	0.6	0.4	0.2	1,145	769	376
2,176.0	Anthony Wayne ms	Classroom Classroom 204	2	2L2' T8 15w/EL	trof para dbl switch	2	2	2L2' LED 7w/ELEE HI/RETUBE ONLY	retube 2' LED	1,988	0.1	0.1	0.0	131	107	24
2,177.0	Anthony Wayne ms	Classroom Classroom 208	2	2L4' T8 28w/ELEE HI	trof para dbl switch	11	11	2L4' LED 13w/ELEE HI/RETUBE ONLY	retube 4' LED	1,988	0.7	0.5	0.2	1,400	940	459
2,178.0	Anthony Wayne ms	Classroom Classroom 208	2	2L2' T8 15w/EL	trof para dbl switch	1	1	2L2' LED 7w/ELEE HI/RETUBE ONLY	retube 2' LED	1,988	0.0	0.0	0.0	66	54	12
2,179.0	Anthony Wayne ms	Classroom Classroom 209	2	2L4' T8 28w/ELEE HI	trof para dbl switch	10	10	2L4' LED 13w/ELEE HI/RETUBE ONLY	retube 4' LED	1,988	0.6	0.4	0.2	1,272	855	417
2,180.0	Anthony Wayne ms	Classroom Classroom 209	2	2L2' T8 15w/EL	trof para dbl switch	2	2	2L2' LED 7w/ELEE HI/RETUBE ONLY	retube 2' LED	1,988	0.1	0.1	0.0	131	107	24
2,181.0	Anthony Wayne ms	Classroom Classroom 211	2	2L4' T8 28w/ELEE HI	trof para dbl switch	4	4	2L4' LED 13w/ELEE HI/RETUBE ONLY	retube 4' LED	1,988	0.3	0.2	0.1	509	342	167
2,182.0	Anthony Wayne ms	Classroom Classroom 210	2	2L4' T8 28w/ELEE HI	trof para dbl switch	4	4	2L4' LED 13w/ELEE HI/RETUBE ONLY	retube 4' LED	1,988	0.3	0.2	0.1	509	342	167
2,183.0	Anthony Wayne ms	Classroom Classroom 212	2	2L4' T8 28w/ELEE HI	trof para dbl switch	15	15	2L4' LED 13w/ELEE HI/RETUBE ONLY	retube 4' LED	1,988	1.0	0.6	0.3	1,908	1,282	626
2,184.0	Anthony Wayne ms	Classroom Classroom 212	2	2L2' T8 15w/EL	trof para dbl switch	1	1	2L2' LED 7w/ELEE HI/RETUBE ONLY	retube 2' LED	1,988	0.0	0.0	0.0	66	54	12
2,185.0	Anthony Wayne ms	Storage Storage 212 Sc	2	2L4' T8 28w/ELEE HI	trof parabolic	2	2	2L4' LED 13w/ELEE HI/RETUBE ONLY	retube 4' LED	350	0.1	0.1	0.0	45	30	15
2,186.0	Anthony Wayne ms	Classroom Classroom 213	2	2L4' T8 28w/ELEE HI	trof para dbl switch	15	15	2L4' LED 13w/ELEE HI/RETUBE ONLY	retube 4' LED	1,988	1.0	0.6	0.3	1,908	1,282	626
2,187.0	Anthony Wayne ms	Classroom Classroom 213	2	2L2' T8 15w/EL	trof para dbl switch	1	1	2L2' LED 7w/ELEE HI/RETUBE ONLY	retube 2' LED	1,988	0.0	0.0	0.0	66	54	12
2,188.0	Anthony Wayne ms	Office Office 212 Ao	2	2L4' T8 28w/ELEE HI	trof para dbl switch	2	2	2L4' LED 13w/ELEE HI/RETUBE ONLY	retube 4' LED	1,988	0.1	0.1	0.0	254	171	83
2,189.0	Anthony Wayne ms	Stair Stair 1	s	2x18W CF HARDWIRED/EL	sconce	8		NO RETRO	no change	3,640	0.3	0.3		1,165	1,165	
2,190.0	Anthony Wayne ms	Office Office 108 Ao	1	2L4' T8 28w/ELEE HI	trof para dbl switch	2	2	2L4' LED 13w/ELEE HI/RETUBE ONLY	retube 4' LED	1,988	0.1	0.1	0.0	254	171	83

Line	Building Name	Location	FI	Pre Fixture Description	Pre Fixture Style	Pre Qty	Pre Qty In Scope	Post Fixture Description	Post Fixture Style	Annual Hours	Pre kW	Post kW	kW Saved Coin.	Pre kWh	Post kWh	kWh Saved
2,191.0	Anthony Wayne ms	Classroom Classroom 108	1	6L4' T8 28w/ELEE LO-8'	indirect dbl switch	12	12	3L4' LED 13w/ELEE/RETUBE ONLY	retube 4' LED	1,988	1.5	1.2	0.3	3,006	2,290	716
2,192.0	Anthony Wayne ms	Office Office 108 P3	1	3L4' T8 28w/ELEE LO	indirect dbl switch	2	2	3L4' LED 13w/ELEE LO/RETUBE ONLY	retube 4' LED	1,988	0.1	0.1	0.0	250	167	83
2,193.0	Anthony Wayne ms	Office Office 108 P2	1	3L4' T8 28w/ELEE LO	indirect dbl switch	2	2	3L4' LED 13w/ELEE LO/RETUBE ONLY	retube 4' LED	1,988	0.1	0.1	0.0	250	167	83
2,194.0	Anthony Wayne ms	Office Office 108 P1	1	3L4' T8 28w/ELEE LO	indirect dbl switch	2	2	3L4' LED 13w/ELEE LO/RETUBE ONLY	retube 4' LED	1,988	0.1	0.1	0.0	250	167	83
2,195.0	Anthony Wayne ms	Storage Storage 108 Sa	1	1L4' T8 28w/ELEE HI	wrap	1	1	1L4' LED 13w/ELEE HI/RETUBE ONLY	retube 4' LED	350	0.0	0.0	0.0	12	8	4
2,196.0	Anthony Wayne ms	Storage Storage 108 Sb	1	1L4' T8 28w/ELEE HI	wrap	1	1	1L4' LED 13w/ELEE HI/RETUBE ONLY	retube 4' LED	350	0.0	0.0	0.0	12	8	4
2,197.0	Anthony Wayne ms	Storage Storage 108 Sc	1	1L4' T8 28w/ELEE HI	wrap	1	1	1L4' LED 13w/ELEE HI/RETUBE ONLY	retube 4' LED	350	0.0	0.0	0.0	12	8	4
2,198.0	Anthony Wayne ms	Classroom Classroom 109	1	6L4' T8 28w/ELEE LO-8'	indirect dbl switch	12	12	3L4' LED 13w/ELEE/RETUBE ONLY	retube 4' LED	1,988	1.5	1.2	0.3	3,006	2,290	716
2,199.0	Anthony Wayne ms	Hall Hall 109 To Cafetorium	1	2L4' T8 28w/ELEE	trof parabolic	3	3	2L4' LED 13w/ELEE/RETUBE ONLY	retube 4' LED	3,640	0.1	0.1	0.0	524	349	175
2,200.0	Anthony Wayne ms	Hall Hall 109 To Cafetorium	1	2L4' T8 28w/ELEE	trof parabolic	4	4	2L4' LED 13w/ELEE/RETUBE ONLY	retube 4' LED	1,820	0.2	0.1	0.1	349	233	116
2,201.0	Anthony Wayne ms	Hall Hall 109 To Cafetorium	1	2L4' T8 28w/ELEE LO	indirect	2	2	2L4' LED 13w/ELEE LO/RETUBE ONLY	retube 4' LED	3,640	0.1	0.1	0.0	306	204	102
2,202.0	Anthony Wayne ms	Hall Hall 109 To Cafetorium	1	2L4' T8 28w/ELEE	trof parabolic	3	3	2L4' LED 13w/ELEE/RETUBE ONLY	retube 4' LED	3,640	0.1	0.1	0.0	524	349	175
2,203.0	Anthony Wayne ms	Lounge Lounge Staff	1	2L4' T8 28w/ELEE	trof para dbl switch	9	9	2L4' LED 13w/ELEE/RETUBE ONLY	retube 4' LED	1,764	0.4	0.3	0.1	762	508	254
2,204.0	Anthony Wayne ms	Bath Bath Boys	1	2x13W CF HARDWIRED	can rec vert 9"	1	1	NO RETRO	no change	2,548	0.0	0.0		76	76	
2,205.0	Anthony Wayne ms	Bath Bath Boys	1	2L4' T8 28w/ELEE HI	trof acr	2	2	2L4' LED 13w/ELEE HI/RETUBE ONLY	retube 4' LED	2,548	0.1	0.1	0.0	326	219	107
2,206.0	Anthony Wayne ms	Bath Bath Girls	1	2x13W CF HARDWIRED	can rec vert 9"	1	1	NO RETRO	no change	2,548	0.0	0.0		76	76	
2,207.0	Anthony Wayne ms	Bath Bath Girls	1	2L4' T8 28w/ELEE HI	trof acr	2	2	2L4' LED 13w/ELEE HI/RETUBE ONLY	retube 4' LED	2,548	0.1	0.1	0.0	326	219	107
2,208.0	Anthony Wayne ms	Cafeteria Cafeteria Seating Area	1	6L4' T8 28w/ELEE LO-8'	indirect/direct	30	30	3L4' LED 13w/ELEE/RETUBE ONLY	retube 4' LED	3,440	3.8	2.9	0.9	13,003	9,907	3,096
2,209.0	Anthony Wayne ms	Cafeteria Cafeteria Seating Area	1	150w INCANDESCENT	decorative	8	8	NO RETRO	no change	3,440	1.2	1.2		4,128	4,128	
2,210.0	Anthony Wayne ms	Office Office 128 S1	1	2L4' T8 28w/ELEE HI	trof acr	4	4	2L4' LED 13w/ELEE HI/RETUBE ONLY	retube 4' LED	1,988	0.3	0.2	0.1	509	342	167
2,211.0	Anthony Wayne ms	Kitchen Kitchen 131 Cf	1	2x18W CF HARDWIRED/EL	can rec hor 9"	15	15	NO RETRO	no change	2,840	0.6	0.6		1,704	1,704	
2,212.0	Anthony Wayne ms	Kitchen Kitchen 131 Cf	1	2L4' T8 28w/ELEE HI	trof acr	9	9	2L4' LED 13w/ELEE HI/RETUBE ONLY	retube 4' LED	2,840	0.6	0.4	0.2	1,636	1,099	537
2,213.0	Anthony Wayne ms	Kitchen Kitchen Grease Hood	1	23W CF SCREW IN	jar	8	8	NO RETRO	no change	2,840	0.2	0.2		568	568	
2,214.0	Anthony Wayne ms	Kitchen Kitchen Grease Hood	1	3L2' F40 BIAX/EL	trof acr	4	4	NO RETRO	no change	2,840	0.4	0.4		1,068	1,068	
2,215.0	Anthony Wayne ms	Closet Closet 131 Sc	1	2x18W CF HARDWIRED/EL	sconce	1	1	NO RETRO	no change	350	0.0	0.0		14	14	
2,216.0	Anthony Wayne ms	Bath Bath By 130 Ao	1	3L2' F40 BIAX/EL	trof acr	1	1	NO RETRO	no change	2,548	0.1	0.1		240	240	
2,217.0	Anthony Wayne ms	Office Office 130 Ao	1	2L4' T8 28w/ELEE HI	trof para dbl switch	2	2	2L4' LED 13w/ELEE HI/RETUBE ONLY	retube 4' LED	1,988	0.1	0.1	0.0	254	171	83
2,218.0	Anthony Wayne ms	Stage Stage 130 Ao	1	4L4' T8 28w/ELEE HI	wrap	3	3	2L4' LED 13w/ELEE HI/RETUBE ONLY	retube 4' LED	3,240	0.4	0.3	0.1	1,225	836	389
2,219.0	Anthony Wayne ms	Stage Stage 130 Ao	1	23W CF HARDWIRED/EL	keyless	4	4	NO RETRO	no change	3,240	0.1	0.1		324	324	
2,220.0	Anthony Wayne ms	Storage Storage Video	1	2L4' T8 28w/ELEE LO	vapor tight	2	2	2L4' LED 13w/ELEE LO/RETUBE ONLY	retube 4' LED	350	0.1	0.1	0.0	29	20	10
2,221.0	Anthony Wayne ms	Mechanical Mechanical 106 Fire Alarm	1	1L4' T8 28w/ELEE HI	wrap	8	8	1L4' LED 13w/ELEE HI/RETUBE ONLY	retube 4' LED	500	0.3	0.2	0.1	132	86	46
2,222.0	Anthony Wayne ms	Classroom Classroom 107	1	2L4' T8 28w/ELEE HI	trof para dbl switch	11	11	2L4' LED 13w/ELEE HI/RETUBE ONLY	retube 4' LED	1,988	0.7	0.5	0.2	1,400	940	459
2,223.0	Anthony Wayne ms	Classroom Classroom 107	1	2L2' T8 15w/EL	trof para dbl switch	1	1	2L2' LED 7w/ELEE HI/RETUBE ONLY	retube 2' LED	1,988	0.0	0.0	0.0	66	54	12
2,224.0	Anthony Wayne ms	Classroom Classroom 104	1	2L4' T8 28w/ELEE HI	trof para dbl switch	11	11	2L4' LED 13w/ELEE HI/RETUBE ONLY	retube 4' LED	1,988	0.7	0.5	0.2	1,400	940	459
2,225.0	Anthony Wayne ms	Classroom Classroom 104	1	2L2' T8 15w/EL	trof para dbl switch	1	1	2L2' LED 7w/ELEE HI/RETUBE ONLY	retube 2' LED	1,988	0.0	0.0	0.0	66	54	12
2,226.0	Anthony Wayne ms	Classroom Classroom 105	1	2L4' T8 28w/ELEE HI	trof para dbl switch	10	10	2L4' LED 13w/ELEE HI/RETUBE ONLY	retube 4' LED	1,988	0.6	0.4	0.2	1,272	855	417
2,227.0	Anthony Wayne ms	Classroom Classroom 105	1	2L2' T8 15w/EL	trof para dbl switch	2	2	2L2' LED 7w/ELEE HI/RETUBE ONLY	retube 2' LED	1,988	0.1	0.1	0.0	131	107	24
2,228.0	Anthony Wayne ms	Classroom Classroom 103	1	2L4' T8 28w/ELEE HI	trof para dbl switch	10	10	2L4' LED 13w/ELEE HI/RETUBE ONLY	retube 4' LED	1,988	0.6	0.4	0.2	1,272	855	417
2,229.0	Anthony Wayne ms	Classroom Classroom 103	1	2L2' T8 15w/EL	trof para dbl switch	2	2	2L2' LED 7w/ELEE HI/RETUBE ONLY	retube 2' LED	1,988	0.1	0.1	0.0	131	107	24
2,230.0	Anthony Wayne ms	Classroom Classroom 102	1	2L4' T8 28w/ELEE HI	trof para dbl switch	10	10	2L4' LED 13w/ELEE HI/RETUBE ONLY	retube 4' LED	1,988	0.6	0.4	0.2	1,272	855	417
2,231.0	Anthony Wayne ms	Classroom Classroom 102	1	2L2' T8 15w/EL	trof para dbl switch	2	2	2L2' LED 7w/ELEE HI/RETUBE ONLY	retube 2' LED	1,988	0.1	0.1	0.0	131	107	24
2,232.0	Anthony Wayne ms	Mechanical Mechanical 101 Me	1	1L4' T8 28w/ELEE HI	wrap	3	3	1L4' LED 13w/ELEE HI/RETUBE ONLY	retube 4' LED	500	0.1	0.1	0.0	50	32	17
2,233.0	Anthony Wayne ms	Bath Bath Men	1	3L2' F40 BIAX/EL	trof acr	3	3	NO RETRO	no change	2,548	0.3	0.3		719	719	
2,234.0	Anthony Wayne ms	Bath Bath Men	1	2L2' T8 15w/EL LO	vanity	1	1	2L2' LED 7w/ELEE LO/RETUBE ONLY	retube 2' LED	2,548	0.0	0.0	0.0	61	43	18
2,235.0	Anthony Wayne ms	Bath Bath Boys	1	2L4' T8 28w/ELEE HI	trof acr	4	4	2L4' LED 13w/ELEE HI/RETUBE ONLY	retube 4' LED	2,548	0.3	0.2	0.1	652	438	214
2,236.0	Anthony Wayne ms	Bath Bath Boys	1	2L4' T8 28w/ELEE LO	vanity	2	2	2L4' LED 13w/ELEE LO/RETUBE ONLY	retube 4' LED	2,548	0.1	0.1	0.0	214	143	71
2,237.0	Anthony Wayne ms	Hall Hall Stair 1 To Stair 2	1	1L2' F40 BIAX/EL	wrap wide	4	4	NO RETRO	no change	3,640	0.1	0.1		466	466	
2,238.0	Anthony Wayne ms	Hall Hall Stair 1 To Stair 2	1	2L4' T8 28w/ELEE	trof acr	9	9	2L4' LED 13w/ELEE/RETUBE ONLY	retube 4' LED	3,640	0.4	0.3	0.1	1,572	1,048	524
2,239.0	Anthony Wayne ms	Hall Hall Stair 1 To Stair 2	1	4L4' T8 28w/ELEE LO	decorative	4	4	4L4' LED 13w/ELEE LO/RETUBE ONLY	retube 4' LED	3,640	0.3	0.2	0.1	1,208	815	393
2,240.0	Anthony Wayne ms	Hall Hall Stair 1 To Stair 2	1	2x18W CF HARDWIRED/EL	can rec hor 9"	12	12	NO RETRO	no change	3,640	0.5	0.5		1,747	1,747	
2,241.0	Anthony Wayne ms	Hall Hall Stair 2 To Boys Locker	1	2L4' T8 28w/ELEE	trof parabolic	5	5	2L4' LED 13w/ELEE/RETUBE ONLY	retube 4' LED	3,640	0.2	0.2	0.1	874	582	291



Wayne NJ

Phase 2 Lighting Scope of Work

Line	Building Name	Location	FI	Pre Fixture Description	Pre Fixture Style	Pre Qty	Pre Qty In Scope	Post Fixture Description	Post Fixture Style	Annual Hours	Pre kW	Post kW	kW Saved Coin.	Pre kWh	Post kWh	kWh Saved
2,242.0	Anthony Wayne ms	Hall Hall Stair 2 To Boys Locker	1	2L4' T8 28w/ELEE	trof parabolic	2	2	2L4' LED 13w/ELEE/RETUBE ONLY	retube 4' LED	3,640	0.1	0.1	0.0	349	233	116
2,243.0	Anthony Wayne ms	Hall Hall Stair 2 To Boys Locker	1	2L4' T8 28w/ELEE LO-8'	indirect	2	2	2L4' LED 13w/ELEE LO/RETUBE ONLY	retube 4' LED	3,640	0.1	0.1	0.0	306	204	102
2,244.0	Anthony Wayne ms	Hall Hall Stair 2 To Boys Locker	1	1L2' F40 BIAX/EL	wrap wide	2		NO RETRO	no change	3,640	0.1	0.1		233	233	
2,245.0	Anthony Wayne ms	Bath Bath Boys	1	2L4' T8 28w/ELEE HI	trof acr	2	2	2L4' LED 13w/ELEE HI/RETUBE ONLY	retube 4' LED	2,548	0.1	0.1	0.0	326	219	107
2,246.0	Anthony Wayne ms	Bath Bath Boys	1	3L2' F40 BIAX/EL	trof acr	1		NO RETRO	no change	2,548	0.1	0.1		240	240	
2,247.0	Anthony Wayne ms	Locker Locker Boys	1	3L2' F40 BIAX/EL	trof acr	2		NO RETRO	no change	3,640	0.2	0.2		684	684	
2,248.0	Anthony Wayne ms	Locker Locker Boys	1	2L4' T8 28w/ELEE HI	trof acr	12	12	2L4' LED 13w/ELEE HI/RETUBE ONLY	retube 4' LED	3,640	0.8	0.5	0.2	2,796	1,878	917
2,249.0	Anthony Wayne ms	Locker Locker Toilet	1	2L4' T8 28w/ELEE HI	trof acr	2	2	2L4' LED 13w/ELEE HI/RETUBE ONLY	retube 4' LED	2,548	0.1	0.1	0.0	326	219	107
2,250.0	Anthony Wayne ms	Office Office 125 Ao Coach	1	2L4' T8 28w/ELEE HI	trof para dbl switch	2	2	2L4' LED 13w/ELEE HI/RETUBE ONLY	retube 4' LED	2,840	0.1	0.1	0.0	364	244	119
2,251.0	Anthony Wayne ms	Bath Bath 125 Ao Coach	1	3L2' F40 BIAX/EL	trof acr	1		NO RETRO	no change	3,640	0.1	0.1		342	342	
2,252.0	Anthony Wayne ms	Bath Bath 125 Ao Coach	1	2L2' T8 15w/EL LO	vanity	1	1	2L2' LED 7w/ELEE LO/RETUBE ONLY	retube 2' LED	3,640	0.0	0.0	0.0	87	62	25
2,253.0	Anthony Wayne ms	Bath Bath 125 Ao Coach	1	2x18W CF HARDWIRED/EL	can rec hor 9"	1		NO RETRO	no change	3,640	0.0	0.0		146	146	
2,254.0	Anthony Wayne ms	Gym Gym Main	1	222 WATT LED	high bay	35		NO RETRO	no change already LED	2,408	7.8	7.8		18,710	18,710	
2,255.0	Anthony Wayne ms	Storage Storage 123 Sta	1	1L4' T8 28w/ELEE HI	wrap	2	2	1L4' LED 13w/ELEE HI/RETUBE ONLY	retube 4' LED	350	0.1	0.0	0.0	23	15	8
2,256.0	Anthony Wayne ms	Storage Storage 123 St B	1	1L4' T8 28w/ELEE HI	wrap	2	2	1L4' LED 13w/ELEE HI/RETUBE ONLY	retube 4' LED	350	0.1	0.0	0.0	23	15	8
2,257.0	Anthony Wayne ms	Gym Gym 124 Aux	1	222 WATT LED	high bay	4		NO RETRO	no change already LED	2,408	0.9	0.9		2,138	2,138	
2,258.0	Anthony Wayne ms	Storage Storage 124 S2	1	1L4' T8 28w/ELEE HI	wrap	1	1	1L4' LED 13w/ELEE HI/RETUBE ONLY	retube 4' LED	350	0.0	0.0	0.0	12	8	4
2,259.0	Anthony Wayne ms	Storage Storage 124 S1	1	1L4' T8 28w/ELEE HI	wrap	1	1	1L4' LED 13w/ELEE HI/RETUBE ONLY	retube 4' LED	350	0.0	0.0	0.0	12	8	4
2,260.0	Anthony Wayne ms	Gym Gym 126 Aux	1	222 WATT LED	high bay	4		NO RETRO	no change already LED	2,408	0.9	0.9		2,138	2,138	
2,261.0	Anthony Wayne ms	Storage Storage 126 S2	1	1L4' T8 28w/ELEE HI	wrap	1	1	1L4' LED 13w/ELEE HI/RETUBE ONLY	retube 4' LED	350	0.0	0.0	0.0	12	8	4
2,262.0	Anthony Wayne ms	Storage Storage 126 S1	1	1L4' T8 28w/ELEE HI	wrap	1	1	1L4' LED 13w/ELEE HI/RETUBE ONLY	retube 4' LED	350	0.0	0.0	0.0	12	8	4
2,263.0	Anthony Wayne ms	Hall Hall Stair 3 To Girls Locker	1	2L4' T8 28w/ELEE	trof parabolic	5	5	2L4' LED 13w/ELEE/RETUBE ONLY	retube 4' LED	3,640	0.2	0.2	0.1	874	582	291
2,264.0	Anthony Wayne ms	Hall Hall Stair 3 To Girls Locker	1	2L4' T8 28w/ELEE	trof parabolic	2	2	2L4' LED 13w/ELEE/RETUBE ONLY	retube 4' LED	3,640	0.1	0.1	0.0	349	233	116
2,265.0	Anthony Wayne ms	Hall Hall Stair 3 To Girls Locker	1	2L4' T8 28w/ELEE LO-8'	indirect	2	2	2L4' LED 13w/ELEE LO/RETUBE ONLY	retube 4' LED	3,640	0.1	0.1	0.0	306	204	102
2,266.0	Anthony Wayne ms	Hall Hall Stair 3 To Girls Locker	1	1L2' F40 BIAX/EL	wrap wide	2		NO RETRO	no change	3,640	0.1	0.1		233	233	
2,267.0	Anthony Wayne ms	Bath Bath Girls	1	2L4' T8 28w/ELEE HI	trof acr	2	2	2L4' LED 13w/ELEE HI/RETUBE ONLY	retube 4' LED	3,640	0.1	0.1	0.0	466	313	153
2,268.0	Anthony Wayne ms	Bath Bath Girls	1	3L2' F40 BIAX/EL	trof acr	1		NO RETRO	no change	3,640	0.1	0.1		342	342	
2,269.0	Anthony Wayne ms	Locker Locker 127 Girls	1	3L2' F40 BIAX/EL	trof acr	2		NO RETRO	no change	3,640	0.2	0.2		684	684	
2,270.0	Anthony Wayne ms	Locker Locker 127 Girls	1	2L4' T8 28w/ELEE HI	trof acr	12	12	2L4' LED 13w/ELEE HI/RETUBE ONLY	retube 4' LED	3,640	0.8	0.5	0.2	2,796	1,878	917
2,271.0	Anthony Wayne ms	Locker Locker Toilet	1	2L4' T8 28w/ELEE HI	trof acr	2	2	2L4' LED 13w/ELEE HI/RETUBE ONLY	retube 4' LED	3,640	0.1	0.1	0.0	466	313	153
2,272.0	Anthony Wayne ms	Office Office 127 Ao Coach	1	2L4' T8 28w/ELEE HI	trof para dbl switch	2	2	2L4' LED 13w/ELEE HI/RETUBE ONLY	retube 4' LED	2,840	0.1	0.1	0.0	364	244	119
2,273.0	Anthony Wayne ms	Bath Bath 127 Ao Coach	1	3L2' F40 BIAX/EL	trof acr	1		NO RETRO	no change	3,640	0.1	0.1		342	342	
2,274.0	Anthony Wayne ms	Bath Bath 127 Ao Coach	1	2L2' T8 15w/EL LO	vanity	1	1	2L2' LED 7w/ELEE LO/RETUBE ONLY	retube 2' LED	3,640	0.0	0.0	0.0	87	62	25
2,275.0	Anthony Wayne ms	Bath Bath 127 Ao Coach	1	2x18W CF HARDWIRED/EL	can rec hor 9"	1		NO RETRO	no change	3,640	0.0	0.0		146	146	
2,276.0	Anthony Wayne ms	Classroom Classroom 101	1	2L4' T8 28w/ELEE HI	trof para dbl switch	15	15	2L4' LED 13w/ELEE HI/RETUBE ONLY	retube 4' LED	1,988	1.0	0.6	0.3	1,908	1,282	626
2,277.0	Anthony Wayne ms	Office Office 101 Sp	1	2L4' T8 28w/ELEE HI	trof para dbl switch	4	4	2L4' LED 13w/ELEE HI/RETUBE ONLY	retube 4' LED	1,988	0.3	0.2	0.1	509	342	167
2,278.0	Anthony Wayne ms	Mechanical Mechanical 101 Me Elevator	1	1L4' T8 28w/ELEE HI	wrap	1	1	1L4' LED 13w/ELEE HI/RETUBE ONLY	retube 4' LED	500	0.0	0.0	0.0	17	11	6
2,279.0	Anthony Wayne ms	Classroom Classroom 112 Science	1	2L4' T8 28w/ELEE HI	trof para dbl switch	15	15	2L4' LED 13w/ELEE HI/RETUBE ONLY	retube 4' LED	1,988	1.0	0.6	0.3	1,908	1,282	626
2,280.0	Anthony Wayne ms	Storage Storage 100 Sc Paper Storage	1	3L2' F40 BIAX/EL	trof acr	2		NO RETRO	no change	350	0.2	0.2		66	66	
2,281.0	Anthony Wayne ms	Hall Hall 100 Sc To Stair 3	1	1L2' F40 BIAX/EL	wrap wide	36		NO RETRO	no change	3,640	1.2	1.2		4,193	4,193	
2,282.0	Anthony Wayne ms	Hall Hall 100 Sc To Stair 3	1	2x18W CF HARDWIRED/EL	can rec hor 9"	2		NO RETRO	no change	3,640	0.1	0.1		291	291	
2,283.0	Anthony Wayne ms	Hall Hall 100 Sc To Stair 3	1	4L4' T8 28w/ELEE LO	decorative	1	1	4L4' LED 13w/ELEE LO/RETUBE ONLY	retube 4' LED	3,640	0.1	0.1	0.0	302	204	98
2,284.0	Anthony Wayne ms	Hall Hall 100 Sc To Stair 3	1	1L2' T5HO 24w/EL	cove	35		NO RETRO	no change	3,640	1.0	1.0		3,695	3,695	
2,285.0	Anthony Wayne ms	Hall Hall 100 Sc To Stair 3	1	2L4' T8 28w/ELEE	trof parabolic	2	2	2L4' LED 13w/ELEE/RETUBE ONLY	retube 4' LED	3,640	0.1	0.1	0.0	349	233	116
2,286.0	Anthony Wayne ms	Hall Hall Entry	1	2x13W CF HARDWIRED	can rec vert 9"	4		NO RETRO	no change	3,640	0.1	0.1		437	437	
2,287.0	Anthony Wayne ms	Hall Hall Entry	1	100w METAL HALIDE	indirect	4		NO RETRO	no change	3,640	0.5	0.5		1,747	1,747	
2,288.0	Anthony Wayne ms	Office Open Office Open 100 Main	1	6L4' T8 28w/ELEE LO-8'	indirect/direct dbl switch	9	9	3L4' LED 13w/ELEE/RETUBE ONLY	retube 4' LED	2,408	1.1	0.9	0.2	2,731	2,081	650
2,289.0	Anthony Wayne ms	Office Office 100 Co	1	2L4' T8 28w/ELEE HI	trof para dbl switch	2	2	2L4' LED 13w/ELEE HI/RETUBE ONLY	retube 4' LED	1,988	0.1	0.1	0.0	254	171	83
2,290.0	Anthony Wayne ms	Office Office 100 Do	1	3L4' T8 28w/ELEE LO	indirect/direct dbl switch	1	1	3L4' LED 13w/ELEE LO/RETUBE ONLY	retube 4' LED	1,988	0.2	0.1	0.1	376	250	125
2,291.0	Anthony Wayne ms	Office Office 100 Ao	1	3L4' T8 28w/ELEE LO	indirect/direct dbl switch	1	1	3L4' LED 13w/ELEE LO/RETUBE ONLY	retube 4' LED	1,988	0.2	0.1	0.1	376	250	125
2,292.0	Anthony Wayne ms	Bath Bath Staff	1	3L2' F40 BIAX/EL	trof acr	1		NO RETRO	no change	2,548	0.1	0.1		240	240	



Wayne NJ

Phase 2 Lighting Scope of Work

Line	Building Name	Location	FI	Pre Fixture Description	Pre Fixture Style	Pre Qty	Pre Qty In Scope	Post Fixture Description	Post Fixture Style	Annual Hours	Pre kW	Post kW	kW Saved Coin.	Pre kWh	Post kWh	kWh Saved
2,293.0	Anthony Wayne ms	Conference Conference 100 Bo	1	3L4' T8 28w/ELEE LO	indirect/direct dbl switc	1	1	3L4' LED 13w/ELEE LO/RETUBE ONLY	retube 4' LED	1,988	0.2	0.1	0.1	376	250	125
2,294.0	Anthony Wayne ms	Storage Storage 100 Eo	1	2L4' T8 28w/ELEE	trof acr	2	2	2L4' LED 13w/ELEE/RETUBE ONLY	retube 4' LED	1,708	0.1	0.1	0.0	164	109	55
2,295.0	Anthony Wayne ms	Office Open Office Open 110	1	3L4' T8 28w/ELEE LO	indirect/direct dbl switc	2	2	3L4' LED 13w/ELEE LO/RETUBE ONLY	retube 4' LED	2,408	0.4	0.3	0.1	910	607	303
2,296.0	Anthony Wayne ms	Office Open Office Open 110	1	3L2' F40 BIAX/EL	trof parabolic	2		NO RETRO	no change	2,408	0.2	0.2		453	453	
2,297.0	Anthony Wayne ms	Office Office 110 Eo	1	6L4' T8 28w/ELEE LO-8'	indirect/direct dbl switc	1	1	3L4' LED 13w/ELEE/RETUBE ONLY	retube 4' LED	1,988	0.1	0.1	0.0	250	191	60
2,298.0	Anthony Wayne ms	Office Office 110 Do	1	6L4' T8 28w/ELEE LO-8'	indirect/direct dbl switc	1	1	3L4' LED 13w/ELEE/RETUBE ONLY	retube 4' LED	1,988	0.1	0.1	0.0	250	191	60
2,299.0	Anthony Wayne ms	Storage Storage 110 Cc	1	3L2' F40 BIAX/EL	trof acr	1		NO RETRO	no change	350	0.1	0.1		33	33	
2,300.0	Anthony Wayne ms	Office Office 110 Co	1	6L4' T8 28w/ELEE LO-8'	indirect/direct dbl switc	1	1	3L4' LED 13w/ELEE/RETUBE ONLY	retube 4' LED	1,988	0.1	0.1	0.0	250	191	60
2,301.0	Anthony Wayne ms	Office Office 110 Bo	1	6L4' T8 28w/ELEE LO-8'	indirect/direct dbl switc	1	1	3L4' LED 13w/ELEE/RETUBE ONLY	retube 4' LED	1,988	0.1	0.1	0.0	250	191	60
2,302.0	Anthony Wayne ms	Office Office 110 Ao	1	6L4' T8 28w/ELEE LO-8'	indirect/direct dbl switc	1	1	3L4' LED 13w/ELEE/RETUBE ONLY	retube 4' LED	1,988	0.1	0.1	0.0	250	191	60
2,303.0	Anthony Wayne ms	Storage Storage 110 Sc	1	3L4' T8 28w/ELEE LO	trof acrylic dbl switch	1	1	3L4' LED 13w/ELEE LO/RETUBE ONLY	retube 4' LED	350	0.1	0.0	0.0	22	15	7
2,304.0	Anthony Wayne ms	Office Office 111 Nurse	1	3L2' F40 BIAX/EL	trof acr	1		NO RETRO	no change	1,988	0.1	0.1		187	187	
2,305.0	Anthony Wayne ms	Office Office 111 Nurse	1	6L4' T8 28w/ELEE LO-8'	indirect/direct dbl switc	2	2	3L4' LED 13w/ELEE/RETUBE ONLY	retube 4' LED	1,988	0.3	0.2	0.1	501	382	119
2,306.0	Anthony Wayne ms	Office Office 111 Nurse	1	3L4' T8 28w/ELEE LO	troffer indirect	1	1	3L4' LED 13w/ELEE LO/RETUBE ONLY	retube 4' LED	1,988	0.1	0.0	0.0	125	83	42
2,307.0	Anthony Wayne ms	Office Office 111 Nurse	1	3L4' T8 28w/ELEE LO	troffer indirect	1	1	3L4' LED 13w/ELEE LO/RETUBE ONLY	retube 4' LED	1,988	0.1	0.0	0.0	125	83	42
2,308.0	Anthony Wayne ms	Office Office 111 Nurse	1	3L4' T8 28w/ELEE LO	troffer indirect	1	1	3L4' LED 13w/ELEE LO/RETUBE ONLY	retube 4' LED	1,988	0.1	0.0	0.0	125	83	42
2,309.0	Anthony Wayne ms	Office Office 111 Nurse	1	3L4' T8 28w/ELEE LO	troffer indirect	1	1	3L4' LED 13w/ELEE LO/RETUBE ONLY	retube 4' LED	1,988	0.1	0.0	0.0	125	83	42
2,310.0	Anthony Wayne ms	Bath Bath 111 Nurse	1	2L4' T8 28w/ELEE HI	trof acr	1	1	2L4' LED 13w/ELEE HI/RETUBE ONLY	retube 4' LED	2,548	0.1	0.0	0.0	163	110	54
2,311.0	Anthony Wayne ms	Office Office 110 Ao Exam	1	2L4' T8 28w/ELEE HI	trof para dbl switch	2	2	2L4' LED 13w/ELEE HI/RETUBE ONLY	retube 4' LED	1,988	0.1	0.1	0.0	254	171	83
2,312.0	Anthony Wayne ms	Storage Storage 111 Sc Medical	1	3L4' T8 28w/ELEE LO	trof acr	1	1	3L4' LED 13w/ELEE LO/RETUBE ONLY	retube 4' LED	350	0.1	0.0	0.0	22	15	7
2,313.0	Anthony Wayne ms	Bath Bath Girls	1	2L4' T8 28w/ELEE HI	trof acr	4	4	2L4' LED 13w/ELEE HI/RETUBE ONLY	retube 4' LED	2,548	0.3	0.2	0.1	652	438	214
2,314.0	Anthony Wayne ms	Bath Bath Girls	1	2L4' T8 28w/ELEE LO	vanity	2	2	2L4' LED 13w/ELEE LO/RETUBE ONLY	retube 4' LED	2,548	0.1	0.1	0.0	214	143	71
2,315.0	Anthony Wayne ms	Bath Bath Women	1	3L2' F40 BIAX/EL	trof acr	3		no change	no change	2,548	0.3	0.3		719	719	
2,316.0	Anthony Wayne ms	Bath Bath Women	1	2L4' T8 28w/ELEE LO	vanity	1	1	2L4' LED 13w/ELEE LO/RETUBE ONLY	retube 4' LED	2,548	0.0	0.0	0.0	107	71	36
2,317.0	Anthony Wayne ms	Closet Closet 114 Jc / 114 Dr	1	1L4' T8 28w/ELEE HI	wrap	4	4	1L4' LED 13w/ELEE HI/RETUBE ONLY	retube 4' LED	500	0.1	0.1	0.0	66	43	23
2,318.0	Anthony Wayne ms	Hall Hall 114 Jc To 122	1	2L4' T8 28w/ELEE	trof acr	9	9	2L4' LED 13w/ELEE/RETUBE ONLY	retube 4' LED	3,640	0.4	0.3	0.1	1,572	1,048	524
2,319.0	Anthony Wayne ms	Hall Hall 114 Jc To 122	1	2x13W CF HARDWIRED	can rec vert 9"	8		NO RETRO	no change	3,640	0.2	0.2		874	874	
2,320.0	Anthony Wayne ms	Hall Hall 114 Jc To 122	1	4L4' T8 28w/ELEE LO	decorative	3	3	4L4' LED 13w/ELEE LO/RETUBE ONLY	retube 4' LED	3,640	0.2	0.2	0.1	906	612	295
2,321.0	Anthony Wayne ms	Office Open Office Open 113 Cst	1	2L4' T8 28w/ELEE HI	trof para dbl switch	4	4	2L4' LED 13w/ELEE HI/RETUBE ONLY	retube 4' LED	2,408	0.3	0.2	0.1	616	414	202
2,322.0	Anthony Wayne ms	Office Open Office Open 113 Cst	1	3L2' F40 BIAX/EL	trof para dbl switch	2		NO RETRO	no change	2,408	0.2	0.2		453	453	
2,323.0	Anthony Wayne ms	Office Office 113 Ao	1	2L4' T8 28w/ELEE HI	trof para dbl switch	2	2	2L4' LED 13w/ELEE HI/RETUBE ONLY	retube 4' LED	1,988	0.1	0.1	0.0	254	171	83
2,324.0	Anthony Wayne ms	Office Office 113 Co	1	2L4' T8 28w/ELEE HI	trof para dbl switch	2	2	2L4' LED 13w/ELEE HI/RETUBE ONLY	retube 4' LED	1,988	0.1	0.1	0.0	254	171	83
2,325.0	Anthony Wayne ms	Closet Closet 113 Sc	1	3L4' T8 28w/ELEE LO	trof acr	1	1	3L4' LED 13w/ELEE LO/RETUBE ONLY	retube 4' LED	350	0.1	0.0	0.0	22	15	7
2,326.0	Anthony Wayne ms	Office Office 113 Bo	1	2L4' T8 28w/ELEE HI	trof para dbl switch	2	2	2L4' LED 13w/ELEE HI/RETUBE ONLY	retube 4' LED	1,988	0.1	0.1	0.0	254	171	83
2,327.0	Anthony Wayne ms	Office Office 113 Do	1	2L4' T8 28w/ELEE HI	trof para dbl switch	2	2	2L4' LED 13w/ELEE HI/RETUBE ONLY	retube 4' LED	1,988	0.1	0.1	0.0	254	171	83
2,328.0	Anthony Wayne ms	Classroom Classroom 114	1	2L4' T8 28w/ELEE HI	trof para dbl switch	11	11	2L4' LED 13w/ELEE HI/RETUBE ONLY	retube 4' LED	1,988	0.7	0.5	0.2	1,400	940	459
2,329.0	Anthony Wayne ms	Classroom Classroom 114	1	2L2' T8 15w/EL	trof para dbl switch	1	1	2L2' LED 7w/ELEE HI/RETUBE ONLY	retube 2' LED	1,988	0.0	0.0	0.0	66	54	12
2,330.0	Anthony Wayne ms	Classroom Classroom 116	1	2L4' T8 28w/ELEE HI	trof para dbl switch	11	11	2L4' LED 13w/ELEE HI/RETUBE ONLY	retube 4' LED	1,988	0.7	0.5	0.2	1,400	940	459
2,331.0	Anthony Wayne ms	Classroom Classroom 116	1	2L2' T8 15w/EL	trof para dbl switch	1	1	2L2' LED 7w/ELEE HI/RETUBE ONLY	retube 2' LED	1,988	0.0	0.0	0.0	66	54	12
2,332.0	Anthony Wayne ms	Classroom Classroom 115	1	2L4' T8 28w/ELEE HI	trof para dbl switch	11	11	2L4' LED 13w/ELEE HI/RETUBE ONLY	retube 4' LED	1,988	0.7	0.5	0.2	1,400	940	459
2,333.0	Anthony Wayne ms	Classroom Classroom 115	1	2L2' T8 15w/EL	trof para dbl switch	1	1	2L2' LED 7w/ELEE HI/RETUBE ONLY	retube 2' LED	1,988	0.0	0.0	0.0	66	54	12
2,334.0	Anthony Wayne ms	Classroom Classroom 117	1	2L4' T8 28w/ELEE HI	trof para dbl switch	11	11	2L4' LED 13w/ELEE HI/RETUBE ONLY	retube 4' LED	1,988	0.7	0.5	0.2	1,400	940	459
2,335.0	Anthony Wayne ms	Classroom Classroom 117	1	2L2' T8 15w/EL	trof para dbl switch	1	1	2L2' LED 7w/ELEE HI/RETUBE ONLY	retube 2' LED	1,988	0.0	0.0	0.0	66	54	12
2,336.0	Anthony Wayne ms	Classroom Classroom 118	1	2L4' T8 28w/ELEE HI	trof para dbl switch	7	7	2L4' LED 13w/ELEE HI/RETUBE ONLY	retube 4' LED	1,988	0.4	0.3	0.1	891	598	292
2,337.0	Anthony Wayne ms	Classroom Classroom 118	1	2L2' T8 15w/EL	trof para dbl switch	1	1	2L2' LED 7w/ELEE HI/RETUBE ONLY	retube 2' LED	1,988	0.0	0.0	0.0	66	54	12
2,338.0	Anthony Wayne ms	Classroom Classroom 120	1	2L4' T8 28w/ELEE HI	trof para dbl switch	7	7	2L4' LED 13w/ELEE HI/RETUBE ONLY	retube 4' LED	1,988	0.4	0.3	0.1	891	598	292
2,339.0	Anthony Wayne ms	Classroom Classroom 120	1	2L2' T8 15w/EL	trof para dbl switch	1	1	2L2' LED 7w/ELEE HI/RETUBE ONLY	retube 2' LED	1,988	0.0	0.0	0.0	66	54	12
2,340.0	Anthony Wayne ms	Classroom Classroom 121	1	3L4' T8 28w/ELEE LO	indirect dbl switch	11	11	3L4' LED 13w/ELEE LO/RETUBE ONLY	retube 4' LED	1,988	0.7	0.5	0.2	1,378	918	459
2,341.0	Anthony Wayne ms	Classroom Classroom 121	1	3L2' T8 15w/EL	indirect dbl switch	1	1	3L2' LED 7w/ELEE/RETUBE ONLY	retube 2' LED	1,988	0.0	0.0	0.0	78	57	21
2,342.0	Anthony Wayne ms	Classroom Classroom 119	1	3L4' T8 28w/ELEE LO	indirect dbl switch	18	18	3L4' LED 13w/ELEE LO/RETUBE ONLY	retube 4' LED	1,988	1.1	0.8	0.3	2,254	1,503	751
2,343.0	Anthony Wayne ms	Classroom Classroom 119	1	3L2' T8 15w/EL	indirect dbl switch	2	2	3L2' LED 7w/ELEE/RETUBE ONLY	retube 2' LED	1,988	0.1	0.1	0.0	155	113	42



Wayne NJ

Phase 2 Lighting Scope of Work

Line	Building Name	Location	FI	Pre Fixture Description	Pre Fixture Style	Pre Qty	Pre Qty In Scope	Post Fixture Description	Post Fixture Style	Annual Hours	Pre kW	Post kW	kW Saved Coin.	Pre kWh	Post kWh	kWh Saved
2,344.0	Anthony Wayne ms	Shop Shop 122 Tech Lab/Wood	1	2L4' T5HO 54w/EL	vapor tight	15		NO RETRO	no change	2,440	1.8	1.8		4,282	4,282	
2,345.0	Anthony Wayne ms	Lounge Lounge 132 O2	1	3L4' T8 28w/ELEE LO	indirect/direct dbl switc	2	2	3L4' LED 13w/ELEE LO/RETUBE ONLY	retube 4' LED	1,764	0.4	0.3	0.1	667	445	222
2,346.0	Anthony Wayne ms	Office Office 132-01	1	3L4' T8 28w/ELEE LO	indirect/direct dbl switc	1	1	3L4' LED 13w/ELEE LO/RETUBE ONLY	retube 4' LED	1,988	0.2	0.1	0.1	376	250	125
2,347.0	Anthony Wayne ms	Storage Storage A/V	1	2L4' T8 28w/ELEE	trof acr	4	4	2L4' LED 13w/ELEE/RETUBE ONLY	retube 4' LED	1,708	0.2	0.1	0.1	328	219	109
2,348.0	Anthony Wayne ms	Library Library	1	6L4' T8 28w/ELEE LO-8'	indirect/direct dbl switc	45	45	3L4' LED 13w/ELEE/RETUBE ONLY	retube 4' LED	2,840	5.7	4.3	1.3	16,103	12,269	3,834
2,349.0	Anthony Wayne ms	Storage Storage 132 Dr	1	2L4' T8 28w/ELEE	trof acr	1	1	2L4' LED 13w/ELEE/RETUBE ONLY	retube 4' LED	1,708	0.0	0.0	0.0	82	55	27
2,350.0	Anthony Wayne ms	Bath Bath Boys	1	2L4' T8 28w/ELEE HI	trof acr	1	1	2L4' LED 13w/ELEE HI/RETUBE ONLY	retube 4' LED	2,548	0.1	0.0	0.0	163	110	54
2,351.0	Anthony Wayne ms	Bath Bath Girls	1	2L4' T8 28w/ELEE HI	trof acr	1	1	2L4' LED 13w/ELEE HI/RETUBE ONLY	retube 4' LED	2,548	0.1	0.0	0.0	163	110	54
2,352.0	Anthony Wayne ms	Hall Hall Lib To 117	1	2L4' T8 28w/ELEE	trof para dbl switch	5	5	2L4' LED 13w/ELEE/RETUBE ONLY	retube 4' LED	1,820	0.2	0.2	0.1	437	291	146
2,353.0	Anthony Wayne ms	Hall Hall Lib To 117	1	2L4' T5HO 54w/EL	indirect	2		NO RETRO	no change	3,640	0.2	0.2		852	852	
2,354.0	Anthony Wayne ms	Hall Hall Lib To 117	1	2L4' T8 28w/ELEE	trof para dbl switch	6	6	2L4' LED 13w/ELEE/RETUBE ONLY	retube 4' LED	3,640	0.3	0.2	0.1	1,048	699	349
2,361.0	Wayne Hills hs	Classroom Classroom 235	2	2L4' T8 28w/ELEE HI-8'	wrap	4	4	2L4' LED 13w/ELEE HI/RETUBE ONLY	retube 4' LED	1,988	0.3	0.2	0.1	509	342	167
2,362.0	Wayne Hills hs	Classroom Classroom 235	2	1L4' T8 28w/ELEE HI	wrap	1	1	1L4' LED 13w/ELEE HI/RETUBE ONLY	retube 4' LED	1,988	0.0	0.0	0.0	66	43	23
2,363.0	Wayne Hills hs	Classroom Classroom 235	2	2L4' T8 28w/ELEE HI-8'	wrap	8	8	2L4' LED 13w/ELEE HI/RETUBE ONLY	retube 4' LED	1,988	0.5	0.3	0.1	1,018	684	334
2,364.0	Wayne Hills hs	Classroom Classroom 235	2	1L4' T8 28w/ELEE HI	wrap	2	2	1L4' LED 13w/ELEE HI/RETUBE ONLY	retube 4' LED	1,988	0.1	0.0	0.0	131	85	46
2,365.0	Wayne Hills hs	Classroom Classroom 236	2	2L4' T8 28w/ELEE HI-8'	wrap	3	3	2L4' LED 13w/ELEE HI/RETUBE ONLY	retube 4' LED	1,988	0.2	0.1	0.1	382	256	125
2,366.0	Wayne Hills hs	Classroom Classroom 236	2	1L4' T8 28w/ELEE HI	wrap	1	1	1L4' LED 13w/ELEE HI/RETUBE ONLY	retube 4' LED	1,988	0.0	0.0	0.0	66	43	23
2,367.0	Wayne Hills hs	Classroom Classroom 236	2	2L4' T8 28w/ELEE HI-8'	wrap	6	6	2L4' LED 13w/ELEE HI/RETUBE ONLY	retube 4' LED	1,988	0.4	0.3	0.1	763	513	250
2,368.0	Wayne Hills hs	Classroom Classroom 236	2	1L4' T8 28w/ELEE HI	wrap	2	2	1L4' LED 13w/ELEE HI/RETUBE ONLY	retube 4' LED	1,988	0.1	0.0	0.0	131	85	46
2,369.0	Wayne Hills hs	Classroom Classroom 237	2	2L4' T8 28w/ELEE HI-8'	wrap	3	3	2L4' LED 13w/ELEE HI/RETUBE ONLY	retube 4' LED	1,988	0.2	0.1	0.1	382	256	125
2,370.0	Wayne Hills hs	Classroom Classroom 237	2	1L4' T8 28w/ELEE HI	wrap	1	1	1L4' LED 13w/ELEE HI/RETUBE ONLY	retube 4' LED	1,988	0.0	0.0	0.0	66	43	23
2,371.0	Wayne Hills hs	Classroom Classroom 237	2	2L4' T8 28w/ELEE HI-8'	wrap	6	6	2L4' LED 13w/ELEE HI/RETUBE ONLY	retube 4' LED	1,988	0.4	0.3	0.1	763	513	250
2,372.0	Wayne Hills hs	Classroom Classroom 237	2	1L4' T8 28w/ELEE HI	wrap	2	2	1L4' LED 13w/ELEE HI/RETUBE ONLY	retube 4' LED	1,988	0.1	0.0	0.0	131	85	46
2,373.0	Wayne Hills hs	Classroom Classroom 238	2	2L4' T8 28w/ELEE	trof acr	4	4	2L4' LED 13w/ELEE/RETUBE ONLY	retube 4' LED	1,988	0.2	0.1	0.1	382	254	127
2,374.0	Wayne Hills hs	Classroom Classroom 238	2	2L4' T8 28w/ELEE	trof acr	9	9	2L4' LED 13w/ELEE/RETUBE ONLY	retube 4' LED	1,988	0.4	0.3	0.1	859	573	286
2,375.0	Wayne Hills hs	Office Office 238	2	2L4' T8 28w/ELEE HI-8'	wrap	1	1	2L4' LED 13w/ELEE HI/RETUBE ONLY	retube 4' LED	1,988	0.1	0.0	0.0	127	85	42
2,376.0	Wayne Hills hs	Office Office 238	2	1L4' T8 28w/ELEE HI	wrap	1	1	1L4' LED 13w/ELEE HI/RETUBE ONLY	retube 4' LED	1,988	0.0	0.0	0.0	66	43	23
2,377.0	Wayne Hills hs	Classroom Classroom 239	2	2L4' T8 28w/ELEE HI-8'	wrap	2	2	2L4' LED 13w/ELEE HI/RETUBE ONLY	retube 4' LED	1,988	0.1	0.1	0.0	254	171	83
2,378.0	Wayne Hills hs	Classroom Classroom 239	2	1L4' T8 28w/ELEE HI	wrap	1	1	1L4' LED 13w/ELEE HI/RETUBE ONLY	retube 4' LED	1,988	0.0	0.0	0.0	66	43	23
2,379.0	Wayne Hills hs	Classroom Classroom 239	2	2L4' T8 28w/ELEE HI-8'	wrap	3	3	2L4' LED 13w/ELEE HI/RETUBE ONLY	retube 4' LED	1,988	0.2	0.1	0.1	382	256	125
2,380.0	Wayne Hills hs	Classroom Classroom 239	2	1L4' T8 28w/ELEE HI	wrap	2	2	1L4' LED 13w/ELEE HI/RETUBE ONLY	retube 4' LED	1,988	0.1	0.0	0.0	131	85	46
2,381.0	Wayne Hills hs	Classroom Classroom 240	2	2L4' T8 28w/ELEE HI-8'	wrap	2	2	2L4' LED 13w/ELEE HI/RETUBE ONLY	retube 4' LED	1,988	0.1	0.1	0.0	254	171	83
2,382.0	Wayne Hills hs	Classroom Classroom 240	2	1L4' T8 28w/ELEE HI	wrap	1	1	1L4' LED 13w/ELEE HI/RETUBE ONLY	retube 4' LED	1,988	0.0	0.0	0.0	66	43	23
2,383.0	Wayne Hills hs	Classroom Classroom 240	2	2L4' T8 28w/ELEE HI-8'	wrap	3	3	2L4' LED 13w/ELEE HI/RETUBE ONLY	retube 4' LED	1,988	0.2	0.1	0.1	382	256	125
2,384.0	Wayne Hills hs	Classroom Classroom 240	2	1L4' T8 28w/ELEE HI	wrap	2	2	1L4' LED 13w/ELEE HI/RETUBE ONLY	retube 4' LED	1,988	0.1	0.0	0.0	131	85	46
2,385.0	Wayne Hills hs	Office Office 240	2	2L4' T8 28w/ELEE HI-8'	wrap	1	1	2L4' LED 13w/ELEE HI/RETUBE ONLY	retube 4' LED	1,988	0.1	0.0	0.0	127	85	42
2,386.0	Wayne Hills hs	Office Office 240	2	1L4' T8 28w/ELEE HI	wrap	1	1	1L4' LED 13w/ELEE HI/RETUBE ONLY	retube 4' LED	1,988	0.0	0.0	0.0	66	43	23
2,387.0	Wayne Hills hs	Classroom Classroom 241	2	6L4' T8 28w/ELEE LO-8'	indirect	4	4	3L4' LED 13w/ELEE/RETUBE ONLY	retube 4' LED	1,988	0.5	0.4	0.1	1,002	763	239
2,388.0	Wayne Hills hs	Classroom Classroom 241	2	3L4' T8 28w/ELEE LO	indirect	1	1	3L4' LED 13w/ELEE LO/RETUBE ONLY	retube 4' LED	1,988	0.1	0.0	0.0	125	83	42
2,389.0	Wayne Hills hs	Classroom Classroom 241	2	6L4' T8 28w/ELEE LO-8'	indirect	7	7	3L4' LED 13w/ELEE/RETUBE ONLY	retube 4' LED	2,840	0.9	0.7	0.2	2,505	1,908	596
2,390.0	Wayne Hills hs	Classroom Classroom 241	2	3L4' T8 28w/ELEE LO	indirect	1	1	3L4' LED 13w/ELEE LO/RETUBE ONLY	retube 4' LED	2,840	0.1	0.0	0.0	179	119	60
2,391.0	Wayne Hills hs	Hall Hall 235 - 241	2	2L2' T8 15w/EL	trof acr	21	21	2L2' LED 7w/ELEE/RETUBE ONLY	retube 2' LED	3,640	0.6	0.4	0.2	2,140	1,452	688
2,392.0	Wayne Hills hs	Hall Hall 235 To 294	2	2L4' T8 28w/ELEE LO	trof acr	9	9	2L4' LED 13w/ELEE LO/RETUBE ONLY	retube 4' LED	3,640	0.4	0.3	0.1	1,376	917	459
2,393.0	Wayne Hills hs	Stair Stair By 294	s	150w METAL HALIDE	indirect	4		NO RETRO	no change	2,548	0.8	0.8		1,936	1,936	
2,394.0	Wayne Hills hs	Stair Stair By 294	s	2L4' T8 28w/ELEE LO	trof acr	2	2	2L4' LED 13w/ELEE LO/RETUBE ONLY	retube 4' LED	3,640	0.1	0.1	0.0	306	204	102
2,395.0	Wayne Hills hs	Classroom Classroom 294	2	2L4' T8 28w/ELEE	trof para dbl switch	9	9	2L4' LED 13w/ELEE/RETUBE ONLY	retube 4' LED	1,988	0.4	0.3	0.1	859	573	286
2,396.0	Wayne Hills hs	Classroom Classroom 295	2	2L4' T8 28w/ELEE	trof para dbl switch	8	8	2L4' LED 13w/ELEE/RETUBE ONLY	retube 4' LED	1,988	0.4	0.3	0.1	763	509	254
2,397.0	Wayne Hills hs	Classroom Classroom 295	2	2L4' T8 28w/ELEE	trof para dbl switch	1	1	2L4' LED 13w/ELEE/RETUBE ONLY	retube 4' LED	2,840	0.0	0.0	0.0	136	91	45
2,398.0	Wayne Hills hs	Classroom Classroom 293	2	2L4' T8 28w/ELEE	trof para dbl switch	9	9	2L4' LED 13w/ELEE/RETUBE ONLY	retube 4' LED	1,988	0.4	0.3	0.1	859	573	286
2,399.0	Wayne Hills hs	Classroom Classroom 292	2	2L4' T8 28w/ELEE	trof para dbl switch	10	10	2L4' LED 13w/ELEE/RETUBE ONLY	retube 4' LED	1,988	0.5	0.3	0.1	954	636	318
2,400.0	Wayne Hills hs	Classroom Classroom 292	2	2L4' T8 28w/ELEE	trof para dbl switch	5	5	2L4' LED 13w/ELEE/RETUBE ONLY	retube 4' LED	1,988	0.2	0.2	0.1	477	318	159



Wayne NJ

Phase 2 Lighting Scope of Work

Line	Building Name	Location	FI	Pre Fixture Description	Pre Fixture Style	Pre Qty	Pre Qty In Scope	Post Fixture Description	Post Fixture Style	Annual Hours	Pre kW	Post kW	kW Saved Coin.	Pre kWh	Post kWh	kWh Saved
2,401.0	Wayne Hills hs	Classroom Classroom 291	2	2L4' T8 28w/ELEE	trof para dbl switch	9	9	2L4' LED 13w/ELEE/RETUBE ONLY	retube 4' LED	1,988	0.4	0.3	0.1	859	573	286
2,402.0	Wayne Hills hs	Storage Storage 289 Sc	2	1L4' T8 28w/ELEE HI	wrap	3	3	1L4' LED 13w/ELEE HI/RETUBE ONLY	retube 4' LED	350	0.1	0.1	0.0	35	23	12
2,403.0	Wayne Hills hs	Bath Bath 289Gt	2	2L2' F40 BIAX/EL	trof acr	1		NO RETRO	no change	2,548	0.1	0.1		161	161	
2,404.0	Wayne Hills hs	Bath Bath 289Gt	2	2L4' T8 28w/ELEE LO	trof acr	3	3	2L4' LED 13w/ELEE LO/RETUBE ONLY	retube 4' LED	2,548	0.1	0.1	0.0	321	214	107
2,405.0	Wayne Hills hs	Closet Closet 289 Cc	2	1L4' T8 28w/ELEE HI	wrap	1	1	1L4' LED 13w/ELEE HI/RETUBE ONLY	retube 4' LED	500	0.0	0.0	0.0	17	11	6
2,406.0	Wayne Hills hs	Bath Bath 289Bt	2	2L2' F40 BIAX/EL	trof acr	1		NO RETRO	no change	2,548	0.1	0.1		161	161	
2,407.0	Wayne Hills hs	Bath Bath 289Bt	2	2L4' T8 28w/ELEE LO	trof acr	3	3	2L4' LED 13w/ELEE LO/RETUBE ONLY	retube 4' LED	2,548	0.1	0.1	0.0	321	214	107
2,408.0	Wayne Hills hs	Classroom Classroom 290	2	2L4' T8 28w/ELEE	trof para dbl switch	4	4	2L4' LED 13w/ELEE/RETUBE ONLY	retube 4' LED	1,988	0.2	0.1	0.1	382	254	127
2,409.0	Wayne Hills hs	Classroom Classroom 290	2	2L4' T8 28w/ELEE	trof para dbl switch	1	1	2L4' LED 13w/ELEE/RETUBE ONLY	retube 4' LED	1,988	0.0	0.0	0.0	95	64	32
2,410.0	Wayne Hills hs	Classroom Classroom 290	2	2L4' T8 28w/ELEE	trof para dbl switch	10	10	2L4' LED 13w/ELEE/RETUBE ONLY	retube 4' LED	1,988	0.5	0.3	0.1	954	636	318
2,411.0	Wayne Hills hs	Storage Storage 290	2	2L4' T8 28w/ELEE HI	trof parabolic	1	1	2L4' LED 13w/ELEE HI/RETUBE ONLY	retube 4' LED	350	0.1	0.0	0.0	22	15	7
2,412.0	Wayne Hills hs	Office Office 290	2	2L4' T8 28w/ELEE HI	trof para dbl switch	2	2	2L4' LED 13w/ELEE HI/RETUBE ONLY	retube 4' LED	1,988	0.1	0.1	0.0	254	171	83
2,413.0	Wayne Hills hs	Office Office 290	2	2L2' T8 15w/EL	trof parabolic	1	1	2L2' LED 7w/ELEE HI/RETUBE ONLY	retube 2' LED	1,988	0.0	0.0	0.0	66	54	12
2,414.0	Wayne Hills hs	Classroom Classroom 287	2	2L4' T8 28w/ELEE	trof para dbl switch	11	11	2L4' LED 13w/ELEE/RETUBE ONLY	retube 4' LED	1,988	0.5	0.4	0.1	1,050	700	350
2,415.0	Wayne Hills hs	Classroom Classroom 287	2	2L4' T8 28w/ELEE	trof para dbl switch	1	1	2L4' LED 13w/ELEE/RETUBE ONLY	retube 4' LED	1,988	0.0	0.0	0.0	95	64	32
2,416.0	Wayne Hills hs	Classroom Classroom 286	2	2L4' T8 28w/ELEE	trof para dbl switch	6	6	2L4' LED 13w/ELEE/RETUBE ONLY	retube 4' LED	1,988	0.3	0.2	0.1	573	382	191
2,417.0	Wayne Hills hs	Classroom Classroom 286	2	2L4' T8 28w/ELEE	trof para dbl switch	12	12	2L4' LED 13w/ELEE/RETUBE ONLY	retube 4' LED	1,988	0.6	0.4	0.2	1,145	763	382
2,418.0	Wayne Hills hs	Classroom Classroom 285	2	2L4' T8 28w/ELEE	trof para dbl switch	12	12	2L4' LED 13w/ELEE/RETUBE ONLY	retube 4' LED	1,988	0.6	0.4	0.2	1,145	763	382
2,419.0	Wayne Hills hs	Stair Stair By 285	s	150w METAL HALIDE	indirect	4		NO RETRO	no change	2,548	0.8	0.8		1,936	1,936	
2,420.0	Wayne Hills hs	Stair Stair By 285	s	2L4' T8 28w/ELEE LO	trof acr	2	2	2L4' LED 13w/ELEE LO/RETUBE ONLY	retube 4' LED	3,640	0.1	0.1	0.0	306	204	102
2,421.0	Wayne Hills hs	Hall Hall 295 To 256	2	2L4' T8 28w/ELEE LO	trof acr	24	24	2L4' LED 13w/ELEE LO/RETUBE ONLY	retube 4' LED	2,548	1.0	0.7	0.3	2,568	1,712	856
2,422.0	Wayne Hills hs	Hall Hall 295 To 256	2	4L4' T8 28w/ELEE LO	decorative	4	4	4L4' LED 13w/ELEE LO/RETUBE ONLY	retube 4' LED	3,640	0.3	0.2	0.1	1,208	815	393
2,423.0	Wayne Hills hs	Hall Hall Foot Bridge	2	2L2' T8 15w/EL	trof acr	3	3	2L2' LED 7w/ELEE/RETUBE ONLY	retube 2' LED	1,820	0.1	0.1	0.0	153	104	49
2,424.0	Wayne Hills hs	Hall Hall Foot Bridge	2	13W CF HARDWIRED	can rec hor 6"	2		NO RETRO	no change	3,640	0.0	0.0		109	109	
2,425.0	Wayne Hills hs	Office Office 284 Bo	2	2L4' T8 28w/ELEE HI	trof acr	4	4	2L4' LED 13w/ELEE HI/RETUBE ONLY	retube 4' LED	1,988	0.3	0.2	0.1	509	342	167
2,426.0	Wayne Hills hs	Office Office 284 Ao	2	2L4' T8 28w/ELEE HI	trof acr	4	4	2L4' LED 13w/ELEE HI/RETUBE ONLY	retube 4' LED	1,988	0.3	0.2	0.1	509	342	167
2,427.0	Wayne Hills hs	Hall Hall Stair West 4 To Stair East 5	2	2L2' T8 15w/EL	trof acr	28	28	2L2' LED 7w/ELEE/RETUBE ONLY	retube 2' LED	3,640	0.8	0.5	0.3	2,854	1,936	917
2,428.0	Wayne Hills hs	Hall Hall Display Case	2	2L4' T8 28w/ELEE HI-8'	wrap	2	2	2L4' LED 13w/ELEE HI/RETUBE ONLY	retube 4' LED	2,548	0.1	0.1	0.0	326	219	107
2,429.0	Wayne Hills hs	Hall Hall Display Case	2	1L4' T8 28w/ELEE HI	wrap	1	1	1L4' LED 13w/ELEE HI/RETUBE ONLY	retube 4' LED	2,548	0.0	0.0	0.0	84	55	29
2,430.0	Wayne Hills hs	Classroom Classroom 283	2	2L4' T8 28w/ELEE	trof acr	19	19	2L4' LED 13w/ELEE/RETUBE ONLY	retube 4' LED	1,988	0.9	0.6	0.3	1,813	1,209	604
2,431.0	Wayne Hills hs	Closet Closet Pans	2	2L4' T8 28w/ELEE HI	trof acr	1	1	2L4' LED 13w/ELEE HI/RETUBE ONLY	retube 4' LED	350	0.1	0.0	0.0	22	15	7
2,432.0	Wayne Hills hs	Classroom Classroom 282	2	2L4' T8 28w/ELEE	trof acr	31	31	2L4' LED 13w/ELEE/RETUBE ONLY	retube 4' LED	1,988	1.5	1.0	0.4	2,958	1,972	986
2,433.0	Wayne Hills hs	Classroom Classroom 282	2	2L4' T8 28w/ELEE	trof acr	1	1	2L4' LED 13w/ELEE/RETUBE ONLY	retube 4' LED	1,988	0.0	0.0	0.0	95	64	32
2,434.0	Wayne Hills hs	Stair Stair East 5	s	2L2' T8 15w/EL	trof acr	3	3	2L2' LED 7w/ELEE/RETUBE ONLY	retube 2' LED	3,640	0.1	0.1	0.0	306	207	98
2,435.0	Wayne Hills hs	Stair Stair East 5	s	2L4' T8 28w/ELEE LO	wrap	2	2	2L4' LED 13w/ELEE LO/RETUBE ONLY	retube 4' LED	3,640	0.1	0.1	0.0	306	204	102
2,436.0	Wayne Hills hs	Office Office 280	2	2L4' T8 28w/ELEE HI	trof acr	4	4	2L4' LED 13w/ELEE HI/RETUBE ONLY	retube 4' LED	1,988	0.3	0.2	0.1	509	342	167
2,437.0	Wayne Hills hs	Mechanical Mechanical 279	2	2L4' T8 28w/ELEE HI	trof acr	1	1	2L4' LED 13w/ELEE HI/RETUBE ONLY	retube 4' LED	350	0.1	0.0	0.0	22	15	7
2,438.0	Wayne Hills hs	Hall Hall 283 To 274	2	2L2' T8 15w/EL	trof acr	7	7	2L2' LED 7w/ELEE/RETUBE ONLY	retube 2' LED	2,548	0.2	0.1	0.1	499	339	161
2,439.0	Wayne Hills hs	Office Office 278	2	2L4' T8 28w/ELEE HI	trof acr	4	4	2L4' LED 13w/ELEE HI/RETUBE ONLY	retube 4' LED	1,988	0.3	0.2	0.1	509	342	167
2,440.0	Wayne Hills hs	Mechanical Mechanical 240B	2	23W CF HARDWIRED/EL	hat	6		NO RETRO	no change	350	0.2	0.2		53	53	
2,441.0	Wayne Hills hs	Stair Stair 240B	s	2L2' T8 15w/EL	trof acr	3	3	2L2' LED 7w/ELEE/RETUBE ONLY	retube 2' LED	3,640	0.1	0.1	0.0	306	207	98
2,442.0	Wayne Hills hs	Stair Stair 240B	s	2L4' T8 28w/ELEE LO	wrap	2	2	2L4' LED 13w/ELEE LO/RETUBE ONLY	retube 4' LED	3,640	0.1	0.1	0.0	306	204	102
2,443.0	Wayne Hills hs	Classroom Classroom 277	2	2L4' T8 28w/ELEE	trof acr	4	4	2L4' LED 13w/ELEE/RETUBE ONLY	retube 4' LED	1,988	0.2	0.1	0.1	382	254	127
2,444.0	Wayne Hills hs	Classroom Classroom 277	2	2L4' T8 28w/ELEE	trof acr	12	12	2L4' LED 13w/ELEE/RETUBE ONLY	retube 4' LED	1,988	0.6	0.4	0.2	1,145	763	382
2,445.0	Wayne Hills hs	Classroom Classroom 276	2	2L4' T8 28w/ELEE	trof acr	4	4	2L4' LED 13w/ELEE/RETUBE ONLY	retube 4' LED	1,988	0.2	0.1	0.1	382	254	127
2,446.0	Wayne Hills hs	Classroom Classroom 276	2	2L4' T8 28w/ELEE	trof acr	12	12	2L4' LED 13w/ELEE/RETUBE ONLY	retube 4' LED	1,988	0.6	0.4	0.2	1,145	763	382
2,447.0	Wayne Hills hs	Hall Hall 277 To 268	2	2L2' T8 15w/EL	trof acr	22	22	2L2' LED 7w/ELEE/RETUBE ONLY	retube 2' LED	2,548	0.6	0.4	0.2	1,570	1,065	505
2,448.0	Wayne Hills hs	Classroom Classroom 275	2	2L4' T8 28w/ELEE	trof acr	4	4	2L4' LED 13w/ELEE/RETUBE ONLY	retube 4' LED	1,988	0.2	0.1	0.1	382	254	127
2,449.0	Wayne Hills hs	Classroom Classroom 275	2	2L4' T8 28w/ELEE	trof acr	12	12	2L4' LED 13w/ELEE/RETUBE ONLY	retube 4' LED	1,988	0.6	0.4	0.2	1,145	763	382
2,450.0	Wayne Hills hs	Classroom Classroom 274	2	2L4' T8 28w/ELEE	trof acr	4	4	2L4' LED 13w/ELEE/RETUBE ONLY	retube 4' LED	1,988	0.2	0.1	0.1	382	254	127
2,451.0	Wayne Hills hs	Classroom Classroom 274	2	2L4' T8 28w/ELEE	trof acr	12	12	2L4' LED 13w/ELEE/RETUBE ONLY	retube 4' LED	1,988	0.6	0.4	0.2	1,145	763	382



Wayne NJ

Phase 2 Lighting Scope of Work

Line	Building Name	Location	FI	Pre Fixture Description	Pre Fixture Style	Pre Qty	Pre Qty In Scope	Post Fixture Description	Post Fixture Style	Annual Hours	Pre kW	Post kW	kW Saved Coin.	Pre kWh	Post kWh	kWh Saved
2,452.0	Wayne Hills hs	Classroom Classroom 273	2	2L4' T8 28w/ELEE	trof acr	4	4	2L4' LED 13w/ELEE/RETUBE ONLY	retube 4' LED	1,988	0.2	0.1	0.1	382	254	127
2,453.0	Wayne Hills hs	Classroom Classroom 273	2	2L4' T8 28w/ELEE	trof acr	12	12	2L4' LED 13w/ELEE/RETUBE ONLY	retube 4' LED	1,988	0.6	0.4	0.2	1,145	763	382
2,454.0	Wayne Hills hs	Classroom Classroom 271	2	2L4' T8 28w/ELEE	trof acr	4	4	2L4' LED 13w/ELEE/RETUBE ONLY	retube 4' LED	1,988	0.2	0.1	0.1	382	254	127
2,455.0	Wayne Hills hs	Classroom Classroom 271	2	2L4' T8 28w/ELEE	trof acr	12	12	2L4' LED 13w/ELEE/RETUBE ONLY	retube 4' LED	1,988	0.6	0.4	0.2	1,145	763	382
2,456.0	Wayne Hills hs	Classroom Classroom 269	2	2L4' T8 28w/ELEE	trof acr	4	4	2L4' LED 13w/ELEE/RETUBE ONLY	retube 4' LED	1,988	0.2	0.1	0.1	382	254	127
2,457.0	Wayne Hills hs	Classroom Classroom 269	2	2L4' T8 28w/ELEE	trof acr	12	12	2L4' LED 13w/ELEE/RETUBE ONLY	retube 4' LED	1,988	0.6	0.4	0.2	1,145	763	382
2,458.0	Wayne Hills hs	Classroom Classroom 272	2	2L4' T8 28w/ELEE	trof acr	3	3	2L4' LED 13w/ELEE/RETUBE ONLY	retube 4' LED	1,988	0.1	0.1	0.0	286	191	95
2,459.0	Wayne Hills hs	Classroom Classroom 272	2	2L4' T8 28w/ELEE	trof acr	18	18	2L4' LED 13w/ELEE/RETUBE ONLY	retube 4' LED	1,988	0.9	0.6	0.2	1,718	1,145	573
2,460.0	Wayne Hills hs	Classroom Classroom 272	2	13W CF HARDWIRED	can rec hor 6"	2		NO RETRO	no change	1,988	0.0	0.0		60	60	
2,461.0	Wayne Hills hs	Office Office Prep	2	2L4' T8 28w/ELEE HI	trof acr	4	4	2L4' LED 13w/ELEE HI/RETUBE ONLY	retube 4' LED	1,988	0.3	0.2	0.1	509	342	167
2,462.0	Wayne Hills hs	Office Office Prep	2	13W CF HARDWIRED	can rec hor 6"	1		NO RETRO	no change	1,988	0.0	0.0		30	30	
2,463.0	Wayne Hills hs	Classroom Classroom 272	2	2L4' T8 28w/ELEE	trof acr	21	21	2L4' LED 13w/ELEE/RETUBE ONLY	retube 4' LED	1,988	1.0	0.7	0.3	2,004	1,336	668
2,464.0	Wayne Hills hs	Classroom Classroom 270	2	2L4' T8 28w/ELEE	trof acr	11	11	2L4' LED 13w/ELEE/RETUBE ONLY	retube 4' LED	1,988	0.5	0.4	0.1	1,050	700	350
2,465.0	Wayne Hills hs	Classroom Classroom 267	2	2L4' T8 28w/ELEE	trof acr	20	20	2L4' LED 13w/ELEE/RETUBE ONLY	retube 4' LED	1,988	1.0	0.6	0.3	1,908	1,272	636
2,466.0	Wayne Hills hs	Stair Stair North 1	s	2L2' T8 15w/EL	trof acr	4	4	2L2' LED 7w/ELEE/RETUBE ONLY	retube 2' LED	3,640	0.1	0.1	0.0	408	277	131
2,467.0	Wayne Hills hs	Stair Stair North 1	s	2L4' T8 28w/ELEE LO	wrap	2	2	2L4' LED 13w/ELEE LO/RETUBE ONLY	retube 4' LED	3,640	0.1	0.1	0.0	306	204	102
2,468.0	Wayne Hills hs	Classroom Classroom 268	2	2L4' T8 28w/ELEE	trof acr	23	23	2L4' LED 13w/ELEE/RETUBE ONLY	retube 4' LED	1,988	1.1	0.7	0.3	2,195	1,463	732
2,469.0	Wayne Hills hs	Classroom Classroom 268	2	2L4' T8 28w/ELEE	trof acr	1	1	2L4' LED 13w/ELEE/RETUBE ONLY	retube 4' LED	1,988	0.0	0.0	0.0	95	64	32
2,470.0	Wayne Hills hs	Classroom Classroom 268	2	2L4' T8 28w/ELEE	trof acr	11	11	2L4' LED 13w/ELEE/RETUBE ONLY	retube 4' LED	1,988	0.5	0.4	0.1	1,050	700	350
2,471.0	Wayne Hills hs	Classroom Classroom 266	2	2L4' T8 28w/ELEE	trof acr	3	3	2L4' LED 13w/ELEE/RETUBE ONLY	retube 4' LED	1,988	0.1	0.1	0.0	286	191	95
2,472.0	Wayne Hills hs	Classroom Classroom 266	2	2L4' T8 28w/ELEE	trof acr	9	9	2L4' LED 13w/ELEE/RETUBE ONLY	retube 4' LED	1,988	0.4	0.3	0.1	859	573	286
2,473.0	Wayne Hills hs	Classroom Classroom 266	2	2L4' T8 28w/ELEE	trof acr	3	3	2L4' LED 13w/ELEE/RETUBE ONLY	retube 4' LED	1,988	0.1	0.1	0.0	286	191	95
2,474.0	Wayne Hills hs	Classroom Classroom 266	2	2L4' T8 28w/ELEE	trof acr	1	1	2L4' LED 13w/ELEE/RETUBE ONLY	retube 4' LED	1,988	0.0	0.0	0.0	95	64	32
2,475.0	Wayne Hills hs	Hall Hall 266 To 264	2	2L2' T8 15w/EL	trof acr	5	5	2L2' LED 7w/ELEE/RETUBE ONLY	retube 2' LED	2,548	0.1	0.1	0.0	357	242	115
2,476.0	Wayne Hills hs	Storage Storage 267 Sc	2	2L4' T8 28w/ELEE HI-8'	wrap	1	1	2L4' LED 13w/ELEE HI/RETUBE ONLY	retube 4' LED	350	0.1	0.0	0.0	22	15	7
2,477.0	Wayne Hills hs	Storage Storage 267 Sc	2	1L4' T8 28w/ELEE HI	wrap	2	2	1L4' LED 13w/ELEE HI/RETUBE ONLY	retube 4' LED	350	0.1	0.0	0.0	23	15	8
2,478.0	Wayne Hills hs	Bath Bath 263 Wt	2	1L4' T8 28w/ELEE HI	wrap	1	1	1L4' LED 13w/ELEE HI/RETUBE ONLY	retube 4' LED	2,548	0.0	0.0	0.0	84	55	29
2,479.0	Wayne Hills hs	Bath Bath 263 Wt	2	2L4' T8 28w/ELEE HI-8'	wrap	1	1	2L4' LED 13w/ELEE HI/RETUBE ONLY	retube 4' LED	2,548	0.1	0.0	0.0	163	110	54
2,480.0	Wayne Hills hs	Bath Bath 263 Wt	2	2L2' T8 15w/EL LO	vanity	1	1	2L2' LED 7w/ELEE LO/RETUBE ONLY	retube 2' LED	2,548	0.0	0.0	0.0	61	43	18
2,481.0	Wayne Hills hs	Classroom Classroom 265	2	2L4' T8 28w/ELEE	trof acr	3	3	2L4' LED 13w/ELEE/RETUBE ONLY	retube 4' LED	1,988	0.1	0.1	0.0	286	191	95
2,482.0	Wayne Hills hs	Classroom Classroom 265	2	2L4' T8 28w/ELEE	trof acr	9	9	2L4' LED 13w/ELEE/RETUBE ONLY	retube 4' LED	1,988	0.4	0.3	0.1	859	573	286
2,483.0	Wayne Hills hs	Classroom Classroom 265	2	2L4' T8 28w/ELEE	trof acr	3	3	2L4' LED 13w/ELEE/RETUBE ONLY	retube 4' LED	1,988	0.1	0.1	0.0	286	191	95
2,484.0	Wayne Hills hs	Classroom Classroom 265	2	2L4' T8 28w/ELEE	trof acr	1	1	2L4' LED 13w/ELEE/RETUBE ONLY	retube 4' LED	1,988	0.0	0.0	0.0	95	64	32
2,485.0	Wayne Hills hs	Bath Bath 263 Mt	2	1L4' T8 28w/ELEE HI	wrap	1	1	1L4' LED 13w/ELEE HI/RETUBE ONLY	retube 4' LED	2,548	0.0	0.0	0.0	84	55	29
2,486.0	Wayne Hills hs	Bath Bath 263 Mt	2	2L4' T8 28w/ELEE HI-8'	wrap	1	1	2L4' LED 13w/ELEE HI/RETUBE ONLY	retube 4' LED	2,548	0.1	0.0	0.0	163	110	54
2,487.0	Wayne Hills hs	Bath Bath 263 Mt	2	2L2' T8 15w/EL LO	vanity	1	1	2L2' LED 7w/ELEE LO/RETUBE ONLY	retube 2' LED	2,548	0.0	0.0	0.0	61	43	18
2,488.0	Wayne Hills hs	Classroom Classroom 264	2	2L4' T8 28w/ELEE	trof acr	3	3	2L4' LED 13w/ELEE/RETUBE ONLY	retube 4' LED	1,988	0.1	0.1	0.0	286	191	95
2,489.0	Wayne Hills hs	Classroom Classroom 264	2	2L4' T8 28w/ELEE	trof acr	9	9	2L4' LED 13w/ELEE/RETUBE ONLY	retube 4' LED	1,988	0.4	0.3	0.1	859	573	286
2,490.0	Wayne Hills hs	Classroom Classroom 264	2	2L4' T8 28w/ELEE	trof acr	3	3	2L4' LED 13w/ELEE/RETUBE ONLY	retube 4' LED	1,988	0.1	0.1	0.0	286	191	95
2,491.0	Wayne Hills hs	Classroom Classroom 264	2	2L4' T8 28w/ELEE	trof acr	1	1	2L4' LED 13w/ELEE/RETUBE ONLY	retube 4' LED	1,988	0.0	0.0	0.0	95	64	32
2,492.0	Wayne Hills hs	Office Office 262 Copy	2	2L4' T8 28w/ELEE HI	trof acr	6	6	2L4' LED 13w/ELEE HI/RETUBE ONLY	retube 4' LED	1,988	0.4	0.3	0.1	763	513	250
2,493.0	Wayne Hills hs	Office Office 262 Ao	2	2L4' T8 28w/ELEE HI	trof acr	6	6	2L4' LED 13w/ELEE HI/RETUBE ONLY	retube 4' LED	1,988	0.4	0.3	0.1	763	513	250
2,494.0	Wayne Hills hs	Stair Stair West 4	s	2L4' T8 28w/ELEE LO	wrap	4	4	2L4' LED 13w/ELEE LO/RETUBE ONLY	retube 4' LED	3,640	0.2	0.1	0.1	612	408	204
2,495.0	Wayne Hills hs	Bath Bath 263 Gt	2	2L2' T8 15w/EL	trof acr	5	5	2L2' LED 7w/ELEE HI/RETUBE ONLY	retube 2' LED	2,548	0.2	0.1	0.0	420	344	76
2,496.0	Wayne Hills hs	Closet Closet Clean	2	1L4' T8 28w/ELEE HI	wrap	1	1	1L4' LED 13w/ELEE HI/RETUBE ONLY	retube 4' LED	350	0.0	0.0	0.0	12	8	4
2,497.0	Wayne Hills hs	Bath Bath 263 Bt	2	2L2' T8 15w/EL	trof acr	5	5	2L2' LED 7w/ELEE HI/RETUBE ONLY	retube 2' LED	2,548	0.2	0.1	0.0	420	344	76
2,498.0	Wayne Hills hs	Classroom Classroom 260	2	2L4' T8 28w/ELEE	trof acr	3	3	2L4' LED 13w/ELEE/RETUBE ONLY	retube 4' LED	1,988	0.1	0.1	0.0	286	191	95
2,499.0	Wayne Hills hs	Classroom Classroom 260	2	2L4' T8 28w/ELEE	trof acr	9	9	2L4' LED 13w/ELEE/RETUBE ONLY	retube 4' LED	1,988	0.4	0.3	0.1	859	573	286
2,500.0	Wayne Hills hs	Classroom Classroom 260	2	2L4' T8 28w/ELEE	trof acr	3	3	2L4' LED 13w/ELEE/RETUBE ONLY	retube 4' LED	1,988	0.1	0.1	0.0	286	191	95
2,501.0	Wayne Hills hs	Classroom Classroom 260	2	2L4' T8 28w/ELEE	trof acr	1	1	2L4' LED 13w/ELEE/RETUBE ONLY	retube 4' LED	1,988	0.0	0.0	0.0	95	64	32
2,502.0	Wayne Hills hs	Classroom Classroom 258	2	2L4' T8 28w/ELEE	trof acr	3	3	2L4' LED 13w/ELEE/RETUBE ONLY	retube 4' LED	1,988	0.1	0.1	0.0	286	191	95



Wayne NJ

Phase 2 Lighting Scope of Work

Line	Building Name	Location	FI	Pre Fixture Description	Pre Fixture Style	Pre Qty	Pre Qty In Scope	Post Fixture Description	Post Fixture Style	Annual Hours	Pre kW	Post kW	kW Saved Coin.	Pre kWh	Post kWh	kWh Saved
2,503.0	Wayne Hills hs	Classroom Classroom 258	2	2L4' T8 28w/ELEE	trof acr	9	9	2L4' LED 13w/ELEE/RETUBE ONLY	retube 4' LED	1,988	0.4	0.3	0.1	859	573	286
2,504.0	Wayne Hills hs	Classroom Classroom 258	2	2L4' T8 28w/ELEE	trof acr	3	3	2L4' LED 13w/ELEE/RETUBE ONLY	retube 4' LED	1,988	0.1	0.1	0.0	286	191	95
2,505.0	Wayne Hills hs	Classroom Classroom 258	2	2L4' T8 28w/ELEE	trof acr	1	1	2L4' LED 13w/ELEE/RETUBE ONLY	retube 4' LED	1,988	0.0	0.0	0.0	95	64	32
2,506.0	Wayne Hills hs	Classroom Classroom 261	2	6L4' T8 28w/ELEE LO-8'	indirect	12	12	3L4' LED 13w/ELEE/RETUBE ONLY	retube 4' LED	1,988	1.5	1.2	0.3	3,006	2,290	716
2,507.0	Wayne Hills hs	Closet Closet Clean	2	13 WATT LED	jar	1		NO RETRO	no change already LED	350	0.0	0.0		5	5	
2,508.0	Wayne Hills hs	Classroom Classroom 256	2	2L4' T8 28w/ELEE HI-8'	wrap	4	4	2L4' LED 13w/ELEE HI/RETUBE ONLY	retube 4' LED	1,988	0.3	0.2	0.1	509	342	167
2,509.0	Wayne Hills hs	Classroom Classroom 256	2	1L4' T8 28w/ELEE HI	wrap	2	2	1L4' LED 13w/ELEE HI/RETUBE ONLY	retube 4' LED	1,988	0.1	0.0	0.0	131	85	46
2,510.0	Wayne Hills hs	Classroom Classroom 256	2	2L4' T8 28w/ELEE HI-8'	wrap	6	6	2L4' LED 13w/ELEE HI/RETUBE ONLY	retube 4' LED	1,988	0.4	0.3	0.1	763	513	250
2,511.0	Wayne Hills hs	Classroom Classroom 256	2	1L4' T8 28w/ELEE HI	wrap	2	2	1L4' LED 13w/ELEE HI/RETUBE ONLY	retube 4' LED	1,988	0.1	0.0	0.0	131	85	46
2,512.0	Wayne Hills hs	Closet Closet Clean	2	13 WATT LED	jar	1		NO RETRO	no change already LED	350	0.0	0.0		5	5	
2,513.0	Wayne Hills hs	Stair Stair By 257	s	2L2' F40 BIAX/EL	trof acr	2		NO RETRO	no change	3,640	0.1	0.1		459	459	
2,514.0	Wayne Hills hs	Stair Stair By 257	s	2L2' T8 15w/EL	trof acr	1	1	2L2' LED 7w/ELEE/RETUBE ONLY	retube 2' LED	3,640	0.0	0.0	0.0	102	69	33
2,515.0	Wayne Hills hs	Stair Stair By 257	s	2L4' T8 28w/ELEE	trof acr	1	1	2L4' LED 13w/ELEE/RETUBE ONLY	retube 4' LED	3,640	0.0	0.0	0.0	175	116	58
2,516.0	Wayne Hills hs	Classroom Classroom 253	2	2L2' T8 15w/EL	trof acr	4	4	2L2' LED 7w/ELEE HI/RETUBE ONLY	retube 2' LED	1,988	0.1	0.1	0.0	262	215	48
2,517.0	Wayne Hills hs	Classroom Classroom 253	2	2L4' T8 28w/ELEE HI-8'	wrap	3	3	2L4' LED 13w/ELEE HI/RETUBE ONLY	retube 4' LED	1,988	0.2	0.1	0.1	382	256	125
2,518.0	Wayne Hills hs	Classroom Classroom 253	2	1L4' T8 28w/ELEE HI	wrap	1	1	1L4' LED 13w/ELEE HI/RETUBE ONLY	retube 4' LED	1,988	0.0	0.0	0.0	66	43	23
2,519.0	Wayne Hills hs	Classroom Classroom 253	2	2L4' T8 28w/ELEE HI-8'	wrap	6	6	2L4' LED 13w/ELEE HI/RETUBE ONLY	retube 4' LED	1,988	0.4	0.3	0.1	763	513	250
2,520.0	Wayne Hills hs	Classroom Classroom 253	2	1L4' T8 28w/ELEE HI	wrap	2	2	1L4' LED 13w/ELEE HI/RETUBE ONLY	retube 4' LED	1,988	0.1	0.0	0.0	131	85	46
2,521.0	Wayne Hills hs	Bath Bath 254 Gt	2	1L4' T8 28w/ELEE HI	wrap	2	2	1L4' LED 13w/ELEE HI/RETUBE ONLY	retube 4' LED	2,548	0.1	0.0	0.0	168	110	59
2,522.0	Wayne Hills hs	Closet Closet Clean	2	23W CF SCREW IN	hat	1		NO RETRO	no change	350	0.0	0.0		9	9	
2,523.0	Wayne Hills hs	Classroom Classroom 252	2	2L4' T8 28w/ELEE	trof para dbl switch	6	6	2L4' LED 13w/ELEE/RETUBE ONLY	retube 4' LED	1,988	0.3	0.2	0.1	573	382	191
2,524.0	Wayne Hills hs	Classroom Classroom 251	2	2L4' T8 28w/ELEE	trof para dbl switch	6	6	2L4' LED 13w/ELEE/RETUBE ONLY	retube 4' LED	1,988	0.3	0.2	0.1	573	382	191
2,525.0	Wayne Hills hs	Classroom Classroom 250	2	2L4' T8 28w/ELEE	trof para dbl switch	6	6	2L4' LED 13w/ELEE/RETUBE ONLY	retube 4' LED	1,988	0.3	0.2	0.1	573	382	191
2,526.0	Wayne Hills hs	Classroom Classroom 249	2	2L4' T8 28w/ELEE	trof para dbl switch	6	6	2L4' LED 13w/ELEE/RETUBE ONLY	retube 4' LED	1,988	0.3	0.2	0.1	573	382	191
2,527.0	Wayne Hills hs	Classroom Classroom 248	2	2L4' T8 28w/ELEE	trof para dbl switch	6	6	2L4' LED 13w/ELEE/RETUBE ONLY	retube 4' LED	1,988	0.3	0.2	0.1	573	382	191
2,528.0	Wayne Hills hs	Classroom Classroom 247	2	2L4' T8 28w/ELEE	trof para dbl switch	6	6	2L4' LED 13w/ELEE/RETUBE ONLY	retube 4' LED	1,988	0.3	0.2	0.1	573	382	191
2,529.0	Wayne Hills hs	Classroom Classroom 246	2	2L4' T8 28w/ELEE	trof para dbl switch	6	6	2L4' LED 13w/ELEE/RETUBE ONLY	retube 4' LED	1,988	0.3	0.2	0.1	573	382	191
2,530.0	Wayne Hills hs	Classroom Classroom 245	2	2L4' T8 28w/ELEE	trof para dbl switch	6	6	2L4' LED 13w/ELEE/RETUBE ONLY	retube 4' LED	1,988	0.3	0.2	0.1	573	382	191
2,531.0	Wayne Hills hs	Hall Hall 256 To 245	2	2L2' T8 15w/EL	trof acr	14	14	2L2' LED 7w/ELEE/RETUBE ONLY	retube 2' LED	2,548	0.4	0.3	0.1	999	678	321
2,532.0	Wayne Hills hs	Hall Hall 202 To 257	2	2L2' T8 15w/EL	trof acr	8	8	2L2' LED 7w/ELEE/RETUBE ONLY	retube 2' LED	2,548	0.2	0.2	0.1	571	387	183
2,533.0	Wayne Hills hs	Bath Bath Men	2	1L4' T8 28w/ELEE HI	wrap	2	2	1L4' LED 13w/ELEE HI/RETUBE ONLY	retube 4' LED	2,548	0.1	0.0	0.0	168	110	59
2,534.0	Wayne Hills hs	Gym Gym 257 Weight Room	2	2L4' T8 28w/ELEE HI-8'	wrap	20	20	2L4' LED 13w/ELEE HI/RETUBE ONLY	retube 4' LED	3,440	1.3	0.9	0.4	4,403	2,958	1,445
2,535.0	Wayne Hills hs	Gym Gym 257 Weight Room	2	2L4' T8 28w/ELEE HI-8'	wrap	5	5	2L4' LED 13w/ELEE HI/RETUBE ONLY	retube 4' LED	3,440	0.3	0.2	0.1	1,101	740	361
2,536.0	Wayne Hills hs	Gym Gym 257 Weight Room	2	2L2' T8 15w/EL LO	wrap	1	1	2L2' LED 7w/ELEE LO/RETUBE ONLY	retube 2' LED	2,408	0.0	0.0	0.0	58	41	17
2,537.0	Wayne Hills hs	Gym Gym 257 Weight Room	2	2L2' T8 15w/EL LO	wrap	1	1	2L2' LED 7w/ELEE LO/RETUBE ONLY	retube 2' LED	2,408	0.0	0.0	0.0	58	41	17
2,538.0	Wayne Hills hs	Mechanical Mechanical 206	2	23W CF HARDWIRED/EL	jar	8		NO RETRO	no change	500	0.2	0.2		100	100	
2,539.0	Wayne Hills hs	Classroom Classroom 202 Cardio	2	2L4' T8 28w/ELEE HI-8'	wrap	20	20	2L4' LED 13w/ELEE HI/RETUBE ONLY	retube 4' LED	2,840	1.3	0.9	0.4	3,635	2,442	1,193
2,540.0	Wayne Hills hs	Classroom Classroom 202 Cardio	2	2L2' T8 15w/EL LO	wrap	1	1	2L2' LED 7w/ELEE LO/RETUBE ONLY	retube 2' LED	1,988	0.0	0.0	0.0	48	34	14
2,541.0	Wayne Hills hs	Classroom Classroom 202 Cardio	2	2L2' T8 15w/EL LO	wrap	1	1	2L2' LED 7w/ELEE LO/RETUBE ONLY	retube 2' LED	1,988	0.0	0.0	0.0	48	34	14
2,542.0	Wayne Hills hs	Stair Stair 202 Cardio	s	1L4' T8 28w/ELEE HI	wrap	2	2	1L4' LED 13w/ELEE HI/RETUBE ONLY	retube 4' LED	3,640	0.1	0.0	0.0	240	157	84
2,543.0	Wayne Hills hs	Stair Stair 202 Cardio	s	2L2' T8 15w/EL LO	wrap	1	1	2L2' LED 7w/ELEE LO/RETUBE ONLY	retube 2' LED	3,640	0.0	0.0	0.0	87	62	25
2,544.0	Wayne Hills hs	Hall Hall Foot Bridge By 201A	2	2L2' T8 15w/EL	trof acr	3	3	2L2' LED 7w/ELEE/RETUBE ONLY	retube 2' LED	1,820	0.1	0.1	0.0	153	104	49
2,545.0	Wayne Hills hs	Hall Hall Foot Bridge By 201A	2	13W CF HARDWIRED	can rec hor 6"	2		NO RETRO	no change	3,640	0.0	0.0		109	109	
2,546.0	Wayne Hills hs	Stair Stair West 3	s	2L4' T8 28w/ELEE LO	wrap	4	4	2L4' LED 13w/ELEE LO/RETUBE ONLY	retube 4' LED	3,640	0.2	0.1	0.1	612	408	204
2,547.0	Wayne Hills hs	Closet Closet Clean	2	2L2' T8 15w/EL LO	wrap	1	1	2L2' LED 7w/ELEE LO/RETUBE ONLY	retube 2' LED	350	0.0	0.0	0.0	8	6	2
2,548.0	Wayne Hills hs	Classroom Classroom 201	2	2L4' T8 28w/ELEE HI-8'	wrap	3	3	2L4' LED 13w/ELEE HI/RETUBE ONLY	retube 4' LED	1,988	0.2	0.1	0.1	382	256	125
2,549.0	Wayne Hills hs	Classroom Classroom 201	2	1L4' T8 28w/ELEE HI	wrap	1	1	1L4' LED 13w/ELEE HI/RETUBE ONLY	retube 4' LED	1,988	0.0	0.0	0.0	66	43	23
2,550.0	Wayne Hills hs	Classroom Classroom 201	2	2L4' T8 28w/ELEE HI-8'	wrap	6	6	2L4' LED 13w/ELEE HI/RETUBE ONLY	retube 4' LED	1,988	0.4	0.3	0.1	763	513	250
2,551.0	Wayne Hills hs	Classroom Classroom 201	2	1L4' T8 28w/ELEE HI	wrap	2	2	1L4' LED 13w/ELEE HI/RETUBE ONLY	retube 4' LED	1,988	0.1	0.0	0.0	131	85	46
2,552.0	Wayne Hills hs	Closet Closet 202 Cc Clean	2	23W CF HARDWIRED/EL	jar	1		NO RETRO	no change	350	0.0	0.0		9	9	
2,553.0	Wayne Hills hs	Classroom Classroom 203	2	2L4' T8 28w/ELEE HI-8'	wrap	2	2	2L4' LED 13w/ELEE HI/RETUBE ONLY	retube 4' LED	1,988	0.1	0.1	0.0	254	171	83



Wayne NJ

Phase 2 Lighting Scope of Work

Line	Building Name	Location	FI	Pre Fixture Description	Pre Fixture Style	Pre Qty	Pre Qty In Scope	Post Fixture Description	Post Fixture Style	Annual Hours	Pre kW	Post kW	kW Saved CoIn.	Pre kWh	Post kWh	kWh Saved
2,554.0	Wayne Hills hs	Classroom Classroom 203	2	1L4' T8 28w/ELEE HI	wrap	1	1	1L4' LED 13w/ELEE HI/RETUBE ONLY	retube 4' LED	1,988	0.0	0.0	0.0	66	43	23
2,555.0	Wayne Hills hs	Classroom Classroom 203	2	2L4' T8 28w/ELEE HI-8'	wrap	4	4	2L4' LED 13w/ELEE HI/RETUBE ONLY	retube 4' LED	1,988	0.3	0.2	0.1	509	342	167
2,556.0	Wayne Hills hs	Classroom Classroom 203	2	1L4' T8 28w/ELEE HI	wrap	2	2	1L4' LED 13w/ELEE HI/RETUBE ONLY	retube 4' LED	1,988	0.1	0.0	0.0	131	85	46
2,557.0	Wayne Hills hs	Classroom Classroom 205	2	2L4' T8 28w/ELEE HI-8'	wrap	2	2	2L4' LED 13w/ELEE HI/RETUBE ONLY	retube 4' LED	1,988	0.1	0.1	0.0	254	171	83
2,558.0	Wayne Hills hs	Classroom Classroom 205	2	1L4' T8 28w/ELEE HI	wrap	1	1	1L4' LED 13w/ELEE HI/RETUBE ONLY	retube 4' LED	1,988	0.0	0.0	0.0	66	43	23
2,559.0	Wayne Hills hs	Classroom Classroom 205	2	2L4' T8 28w/ELEE HI-8'	wrap	4	4	2L4' LED 13w/ELEE HI/RETUBE ONLY	retube 4' LED	1,988	0.3	0.2	0.1	509	342	167
2,560.0	Wayne Hills hs	Classroom Classroom 205	2	1L4' T8 28w/ELEE HI	wrap	2	2	1L4' LED 13w/ELEE HI/RETUBE ONLY	retube 4' LED	1,988	0.1	0.0	0.0	131	85	46
2,561.0	Wayne Hills hs	Classroom Classroom 207	2	2L4' T8 28w/ELEE HI-8'	wrap	2	2	2L4' LED 13w/ELEE HI/RETUBE ONLY	retube 4' LED	1,988	0.1	0.1	0.0	254	171	83
2,562.0	Wayne Hills hs	Classroom Classroom 207	2	1L4' T8 28w/ELEE HI	wrap	1	1	1L4' LED 13w/ELEE HI/RETUBE ONLY	retube 4' LED	1,988	0.0	0.0	0.0	66	43	23
2,563.0	Wayne Hills hs	Classroom Classroom 207	2	2L4' T8 28w/ELEE HI-8'	wrap	4	4	2L4' LED 13w/ELEE HI/RETUBE ONLY	retube 4' LED	1,988	0.3	0.2	0.1	509	342	167
2,564.0	Wayne Hills hs	Classroom Classroom 207	2	1L4' T8 28w/ELEE HI	wrap	2	2	1L4' LED 13w/ELEE HI/RETUBE ONLY	retube 4' LED	1,988	0.1	0.0	0.0	131	85	46
2,565.0	Wayne Hills hs	Classroom Classroom 209	2	2L4' T8 28w/ELEE HI-8'	wrap	2	2	2L4' LED 13w/ELEE HI/RETUBE ONLY	retube 4' LED	1,988	0.1	0.1	0.0	254	171	83
2,566.0	Wayne Hills hs	Classroom Classroom 209	2	1L4' T8 28w/ELEE HI	wrap	1	1	1L4' LED 13w/ELEE HI/RETUBE ONLY	retube 4' LED	1,988	0.0	0.0	0.0	66	43	23
2,567.0	Wayne Hills hs	Classroom Classroom 209	2	2L4' T8 28w/ELEE HI-8'	wrap	4	4	2L4' LED 13w/ELEE HI/RETUBE ONLY	retube 4' LED	1,988	0.3	0.2	0.1	509	342	167
2,568.0	Wayne Hills hs	Classroom Classroom 209	2	1L4' T8 28w/ELEE HI	wrap	2	2	1L4' LED 13w/ELEE HI/RETUBE ONLY	retube 4' LED	1,988	0.1	0.0	0.0	131	85	46
2,569.0	Wayne Hills hs	Classroom Classroom 211	2	2L4' T8 28w/ELEE HI-8'	wrap	2	2	2L4' LED 13w/ELEE HI/RETUBE ONLY	retube 4' LED	1,988	0.1	0.1	0.0	254	171	83
2,570.0	Wayne Hills hs	Classroom Classroom 211	2	1L4' T8 28w/ELEE HI	wrap	1	1	1L4' LED 13w/ELEE HI/RETUBE ONLY	retube 4' LED	1,988	0.0	0.0	0.0	66	43	23
2,571.0	Wayne Hills hs	Classroom Classroom 211	2	2L4' T8 28w/ELEE HI-8'	wrap	4	4	2L4' LED 13w/ELEE HI/RETUBE ONLY	retube 4' LED	1,988	0.3	0.2	0.1	509	342	167
2,572.0	Wayne Hills hs	Classroom Classroom 211	2	1L4' T8 28w/ELEE HI	wrap	2	2	1L4' LED 13w/ELEE HI/RETUBE ONLY	retube 4' LED	1,988	0.1	0.0	0.0	131	85	46
2,573.0	Wayne Hills hs	Classroom Classroom 212	2	2L4' T8 28w/ELEE HI-8'	wrap	2	2	2L4' LED 13w/ELEE HI/RETUBE ONLY	retube 4' LED	1,988	0.1	0.1	0.0	254	171	83
2,574.0	Wayne Hills hs	Classroom Classroom 212	2	1L4' T8 28w/ELEE HI	wrap	1	1	1L4' LED 13w/ELEE HI/RETUBE ONLY	retube 4' LED	1,988	0.0	0.0	0.0	66	43	23
2,575.0	Wayne Hills hs	Classroom Classroom 212	2	2L4' T8 28w/ELEE HI-8'	wrap	4	4	2L4' LED 13w/ELEE HI/RETUBE ONLY	retube 4' LED	1,988	0.3	0.2	0.1	509	342	167
2,576.0	Wayne Hills hs	Classroom Classroom 212	2	1L4' T8 28w/ELEE HI	wrap	2	2	1L4' LED 13w/ELEE HI/RETUBE ONLY	retube 4' LED	1,988	0.1	0.0	0.0	131	85	46
2,577.0	Wayne Hills hs	Hall Hall 201 To 227	2	2L2' T8 15w/EL	trof acr	34	34	2L2' LED 7w/ELEE/RETUBE ONLY	retube 2' LED	2,548	1.0	0.6	0.3	2,426	1,646	780
2,578.0	Wayne Hills hs	Office Office 216	2	2L4' T8 28w/ELEE HI	trof acr	4	4	2L4' LED 13w/ELEE HI/RETUBE ONLY	retube 4' LED	1,988	0.3	0.2	0.1	509	342	167
2,579.0	Wayne Hills hs	Stair Stair West 2	s	2L4' T8 28w/ELEE LO	wrap	9	9	2L4' LED 13w/ELEE LO/RETUBE ONLY	retube 4' LED	3,640	0.4	0.3	0.1	1,376	917	459
2,580.0	Wayne Hills hs	Library Library	2	2L4' T8 28w/ELEE HI	trof acr	60	60	2L4' LED 13w/ELEE HI/RETUBE ONLY	retube 4' LED	2,840	3.8	2.6	1.2	10,906	7,327	3,578
2,581.0	Wayne Hills hs	Library Library	2	1L4' T8 28w/ELEE LO	cove	36	36	1L4' LED 13w/ELEE LO/RETUBE ONLY	retube 4' LED	2,840	0.8	0.5	0.3	2,249	1,431	818
2,582.0	Wayne Hills hs	Library Library	2	2L4' T8 28w/ELEE HI-8'	wrap	6	6	2L4' LED 13w/ELEE HI/RETUBE ONLY	retube 4' LED	2,840	0.4	0.3	0.1	1,091	733	358
2,583.0	Wayne Hills hs	Library Library	2	2L4' T8 28w/ELEE HI	trof acr	20	20	2L4' LED 13w/ELEE HI/RETUBE ONLY	retube 4' LED	1,988	1.3	0.9	0.4	2,545	1,710	835
2,584.0	Wayne Hills hs	Office Office Mihalasky	2	2L4' T8 28w/ELEE HI	trof acr	4	4	2L4' LED 13w/ELEE HI/RETUBE ONLY	retube 4' LED	1,988	0.3	0.2	0.1	509	342	167
2,585.0	Wayne Hills hs	Storage Storage Mihalasky	2	23W CF SCREW IN	hat	1	1	NO RETRO	no change	350	0.0	0.0	0.0	9	9	0
2,586.0	Wayne Hills hs	Office Open Office Open Break Room	2	2L4' T8 28w/ELEE HI	trof acr	10	10	2L4' LED 13w/ELEE HI/RETUBE ONLY	retube 4' LED	2,408	0.6	0.4	0.2	1,541	1,035	506
2,587.0	Wayne Hills hs	Storage Storage Serv Er	2	3L4' T8 28w/ELEE LO	trof acr	10	10	3L4' LED 13w/ELEE LO/RETUBE ONLY	retube 4' LED	350	0.6	0.4	0.2	221	147	74
2,588.0	Wayne Hills hs	Lounge Lounge Staff	2	2L4' T8 28w/ELEE HI-8'	wrap	12	12	2L4' LED 13w/ELEE HI/RETUBE ONLY	retube 4' LED	1,764	0.8	0.5	0.2	1,355	910	445
2,589.0	Wayne Hills hs	Lounge Lounge Staff	2	1L4' T8 28w/ELEE HI	wrap	6	6	1L4' LED 13w/ELEE HI/RETUBE ONLY	retube 4' LED	1,764	0.2	0.1	0.1	349	228	122
2,590.0	Wayne Hills hs	Office Office 214	2	2L4' T8 28w/ELEE HI-8'	wrap	2	2	2L4' LED 13w/ELEE HI/RETUBE ONLY	retube 4' LED	1,988	0.1	0.1	0.0	254	171	83
2,591.0	Wayne Hills hs	Office Office 214	2	1L4' T8 28w/ELEE HI	wrap	2	2	1L4' LED 13w/ELEE HI/RETUBE ONLY	retube 4' LED	1,988	0.1	0.0	0.0	131	85	46
2,592.0	Wayne Hills hs	Classroom Classroom 213	2	2L4' T8 28w/ELEE HI-8'	wrap	2	2	2L4' LED 13w/ELEE HI/RETUBE ONLY	retube 4' LED	1,988	0.1	0.1	0.0	254	171	83
2,593.0	Wayne Hills hs	Classroom Classroom 213	2	1L4' T8 28w/ELEE HI	wrap	1	1	1L4' LED 13w/ELEE HI/RETUBE ONLY	retube 4' LED	1,988	0.0	0.0	0.0	66	43	23
2,594.0	Wayne Hills hs	Classroom Classroom 213	2	2L4' T8 28w/ELEE HI-8'	wrap	4	4	2L4' LED 13w/ELEE HI/RETUBE ONLY	retube 4' LED	1,988	0.3	0.2	0.1	509	342	167
2,595.0	Wayne Hills hs	Classroom Classroom 213	2	1L4' T8 28w/ELEE HI	wrap	2	2	1L4' LED 13w/ELEE HI/RETUBE ONLY	retube 4' LED	1,988	0.1	0.0	0.0	131	85	46
2,596.0	Wayne Hills hs	Classroom Classroom 215	2	2L4' T8 28w/ELEE HI-8'	wrap	3	3	2L4' LED 13w/ELEE HI/RETUBE ONLY	retube 4' LED	1,988	0.2	0.1	0.1	382	256	125
2,597.0	Wayne Hills hs	Classroom Classroom 215	2	2L4' T8 28w/ELEE HI-8'	wrap	6	6	2L4' LED 13w/ELEE HI/RETUBE ONLY	retube 4' LED	1,988	0.4	0.3	0.1	763	513	250
2,598.0	Wayne Hills hs	Classroom Classroom 217	2	2L4' T8 28w/ELEE HI-8'	wrap	2	2	2L4' LED 13w/ELEE HI/RETUBE ONLY	retube 4' LED	1,988	0.1	0.1	0.0	254	171	83
2,599.0	Wayne Hills hs	Classroom Classroom 217	2	1L4' T8 28w/ELEE HI	wrap	1	1	1L4' LED 13w/ELEE HI/RETUBE ONLY	retube 4' LED	1,988	0.0	0.0	0.0	66	43	23
2,600.0	Wayne Hills hs	Classroom Classroom 217	2	2L4' T8 28w/ELEE HI-8'	wrap	4	4	2L4' LED 13w/ELEE HI/RETUBE ONLY	retube 4' LED	1,988	0.3	0.2	0.1	509	342	167
2,601.0	Wayne Hills hs	Classroom Classroom 217	2	1L4' T8 28w/ELEE HI	wrap	2	2	1L4' LED 13w/ELEE HI/RETUBE ONLY	retube 4' LED	1,988	0.1	0.0	0.0	131	85	46
2,602.0	Wayne Hills hs	Classroom Classroom 221	2	2L4' T8 28w/ELEE HI-8'	wrap	2	2	2L4' LED 13w/ELEE HI/RETUBE ONLY	retube 4' LED	1,988	0.1	0.1	0.0	254	171	83
2,603.0	Wayne Hills hs	Classroom Classroom 221	2	1L4' T8 28w/ELEE HI	wrap	1	1	1L4' LED 13w/ELEE HI/RETUBE ONLY	retube 4' LED	1,988	0.0	0.0	0.0	66	43	23
2,604.0	Wayne Hills hs	Classroom Classroom 221	2	2L4' T8 28w/ELEE HI-8'	wrap	4	4	2L4' LED 13w/ELEE HI/RETUBE ONLY	retube 4' LED	1,988	0.3	0.2	0.1	509	342	167



Wayne NJ

Phase 2 Lighting Scope of Work

Line	Building Name	Location	FI	Pre Fixture Description	Pre Fixture Style	Pre Qty	Pre Qty In Scope	Post Fixture Description	Post Fixture Style	Annual Hours	Pre kW	Post kW	kW Saved Coin.	Pre kWh	Post kWh	kWh Saved
2,605.0	Wayne Hills hs	Classroom Classroom 221	2	1L4' T8 28w/ELEE HI	wrap	2	2	1L4' LED 13w/ELEE HI/RETUBE ONLY	retube 4' LED	1,988	0.1	0.0	0.0	131	85	46
2,606.0	Wayne Hills hs	Classroom Classroom 223	2	2L4' T8 28w/ELEE HI-8'	wrap	2	2	2L4' LED 13w/ELEE HI/RETUBE ONLY	retube 4' LED	1,988	0.1	0.1	0.0	254	171	83
2,607.0	Wayne Hills hs	Classroom Classroom 223	2	1L4' T8 28w/ELEE HI	wrap	1	1	1L4' LED 13w/ELEE HI/RETUBE ONLY	retube 4' LED	1,988	0.0	0.0	0.0	66	43	23
2,608.0	Wayne Hills hs	Classroom Classroom 223	2	2L4' T8 28w/ELEE HI-8'	wrap	4	4	2L4' LED 13w/ELEE HI/RETUBE ONLY	retube 4' LED	1,988	0.3	0.2	0.1	509	342	167
2,609.0	Wayne Hills hs	Classroom Classroom 223	2	1L4' T8 28w/ELEE HI	wrap	2	2	1L4' LED 13w/ELEE HI/RETUBE ONLY	retube 4' LED	1,988	0.1	0.0	0.0	131	85	46
2,610.0	Wayne Hills hs	Classroom Classroom 225	2	2L4' T8 28w/ELEE HI-8'	wrap	2	2	2L4' LED 13w/ELEE HI/RETUBE ONLY	retube 4' LED	1,988	0.1	0.1	0.0	254	171	83
2,611.0	Wayne Hills hs	Classroom Classroom 225	2	1L4' T8 28w/ELEE HI	wrap	1	1	1L4' LED 13w/ELEE HI/RETUBE ONLY	retube 4' LED	1,988	0.0	0.0	0.0	66	43	23
2,612.0	Wayne Hills hs	Classroom Classroom 225	2	2L4' T8 28w/ELEE HI-8'	wrap	4	4	2L4' LED 13w/ELEE HI/RETUBE ONLY	retube 4' LED	1,988	0.3	0.2	0.1	509	342	167
2,613.0	Wayne Hills hs	Classroom Classroom 225	2	1L4' T8 28w/ELEE HI	wrap	2	2	1L4' LED 13w/ELEE HI/RETUBE ONLY	retube 4' LED	1,988	0.1	0.0	0.0	131	85	46
2,614.0	Wayne Hills hs	Classroom Classroom 227	2	2L4' T8 28w/ELEE HI-8'	wrap	2	2	2L4' LED 13w/ELEE HI/RETUBE ONLY	retube 4' LED	1,988	0.1	0.1	0.0	254	171	83
2,615.0	Wayne Hills hs	Classroom Classroom 227	2	1L4' T8 28w/ELEE HI	wrap	1	1	1L4' LED 13w/ELEE HI/RETUBE ONLY	retube 4' LED	1,988	0.0	0.0	0.0	66	43	23
2,616.0	Wayne Hills hs	Classroom Classroom 227	2	2L4' T8 28w/ELEE HI-8'	wrap	4	4	2L4' LED 13w/ELEE HI/RETUBE ONLY	retube 4' LED	1,988	0.3	0.2	0.1	509	342	167
2,617.0	Wayne Hills hs	Classroom Classroom 227	2	1L4' T8 28w/ELEE HI	wrap	2	2	1L4' LED 13w/ELEE HI/RETUBE ONLY	retube 4' LED	1,988	0.1	0.0	0.0	131	85	46
2,618.0	Wayne Hills hs	Bath Bath 226Bt Boys	2	1L4' T8 28w/ELEE HI	wrap	2	2	1L4' LED 13w/ELEE HI/RETUBE ONLY	retube 4' LED	2,548	0.1	0.0	0.0	168	110	59
2,619.0	Wayne Hills hs	Bath Bath 226Bt Boys	2	2x13W CF HARDWIRED	drum	1		NO RETRO	no change	2,548	0.0	0.0		76	76	
2,620.0	Wayne Hills hs	Bath Bath 226Gt Girls	2	1L4' T8 28w/ELEE HI	wrap	2	2	1L4' LED 13w/ELEE HI/RETUBE ONLY	retube 4' LED	2,548	0.1	0.0	0.0	168	110	59
2,621.0	Wayne Hills hs	Bath Bath 226Gt Girls	2	2x13W CF HARDWIRED	drum	1		NO RETRO	no change	2,548	0.0	0.0		76	76	
2,622.0	Wayne Hills hs	Office Office 224	2	2L4' T8 28w/ELEE HI-8'	wrap	3	3	2L4' LED 13w/ELEE HI/RETUBE ONLY	retube 4' LED	2,840	0.2	0.1	0.1	545	366	179
2,623.0	Wayne Hills hs	Office Office 224	2	1L4' T8 28w/ELEE HI	wrap	2	2	1L4' LED 13w/ELEE HI/RETUBE ONLY	retube 4' LED	2,840	0.1	0.0	0.0	187	122	65
2,624.0	Wayne Hills hs	Office Office 224	2	2L2' T8 15w/EL	trof acr	4	4	2L2' LED 7w/ELEE HI/RETUBE ONLY	retube 2' LED	1,988	0.1	0.1	0.0	262	215	48
2,625.0	Wayne Hills hs	Closet Closet 224 Sc	2	1L4' T8 28w/ELEE HI	wrap	2	2	1L4' LED 13w/ELEE HI/RETUBE ONLY	retube 4' LED	350	0.1	0.0	0.0	23	15	8
2,626.0	Wayne Hills hs	Storage Storage Staff	2	1L4' T8 28w/ELEE HI	wrap	1	1	1L4' LED 13w/ELEE HI/RETUBE ONLY	retube 4' LED	350	0.0	0.0	0.0	12	8	4
2,627.0	Wayne Hills hs	Bath Bath 222 Wt Women	2	2L2' F40 BIAX/EL	trof acr	1		NO RETRO	no change	2,548	0.1	0.1		161	161	
2,628.0	Wayne Hills hs	Bath Bath 222 Wt Women	2	2L4' T8 28w/ELEE LO	trof acr	2	2	2L4' LED 13w/ELEE LO/RETUBE ONLY	retube 4' LED	2,548	0.1	0.1	0.0	214	143	71
2,629.0	Wayne Hills hs	Bath Bath 222 Wt Women	2	2L4' T8 28w/ELEE LO	vanity	1	1	2L4' LED 13w/ELEE LO/RETUBE ONLY	retube 4' LED	2,548	0.0	0.0	0.0	107	71	36
2,630.0	Wayne Hills hs	Bath Bath 222 Mt Men	2	2L4' T8 U 1.5'/EL	trof acr	1		NO RETRO	no change	2,548	0.1	0.1		148	148	
2,631.0	Wayne Hills hs	Bath Bath 222 Mt Men	2	2L4' T8 28w/ELEE LO	trof acr	2	2	2L4' LED 13w/ELEE LO/RETUBE ONLY	retube 4' LED	2,548	0.1	0.1	0.0	214	143	71
2,632.0	Wayne Hills hs	Bath Bath 222 Mt Men	2	2L4' T8 28w/ELEE LO	vanity	1	1	2L4' LED 13w/ELEE LO/RETUBE ONLY	retube 4' LED	2,548	0.0	0.0	0.0	107	71	36
2,633.0	Wayne Hills hs	Closet Closet Clean	2	23W CF HARDWIRED/EL	keyless	2		NO RETRO	no change	350	0.1	0.1		18	18	
2,634.0	Wayne Hills hs	Storage Storage 219 Sc	2	2L4' T8 28w/ELEE HI-8'	wrap	2	2	2L4' LED 13w/ELEE HI/RETUBE ONLY	retube 4' LED	350	0.1	0.1	0.0	45	30	15
2,635.0	Wayne Hills hs	Storage Storage 219 Sc	2	1L4' T8 28w/ELEE HI	wrap	2	2	1L4' LED 13w/ELEE HI/RETUBE ONLY	retube 4' LED	350	0.1	0.0	0.0	23	15	8
2,636.0	Wayne Hills hs	Hall Hall 217 To 240	2	2L2' T8 15w/EL	trof acr	10	10	2L2' LED 7w/ELEE/RETUBE ONLY	retube 2' LED	3,640	0.3	0.2	0.1	1,019	692	328
2,637.0	Wayne Hills hs	Office Office 219 Ao	2	2L4' T8 28w/ELEE HI-8'	wrap	2	2	2L4' LED 13w/ELEE HI/RETUBE ONLY	retube 4' LED	1,988	0.1	0.1	0.0	254	171	83
2,638.0	Wayne Hills hs	Storage Storage 219 Ao	2	2L4' T8 28w/ELEE HI-8'	wrap	1	1	2L4' LED 13w/ELEE HI/RETUBE ONLY	retube 4' LED	350	0.1	0.0	0.0	22	15	7
2,639.0	Wayne Hills hs	Office Office 219 Av Projection Room	2	2L4' T8 28w/ELEE HI	trof acr	2	2	2L4' LED 13w/ELEE HI/RETUBE ONLY	retube 4' LED	2,840	0.1	0.1	0.0	364	244	119
2,640.0	Wayne Hills hs	Office Office 219 Av Projection Room	2	12 WATT LED	can rec vert	8		NO RETRO	no change already LED	2,840	0.1	0.1		273	273	
2,641.0	Wayne Hills hs	Conference Conference 219 Cr	2	2L4' T8 28w/ELEE HI-8'	wrap	2	2	2L4' LED 13w/ELEE HI/RETUBE ONLY	retube 4' LED	1,988	0.1	0.1	0.0	254	171	83
2,642.0	Wayne Hills hs	Office Office 219 Bo	2	2L4' T8 28w/ELEE HI-8'	wrap	2	2	2L4' LED 13w/ELEE HI/RETUBE ONLY	retube 4' LED	1,988	0.1	0.1	0.0	254	171	83
2,643.0	Wayne Hills hs	Office Office 219 Co	2	2L4' T8 28w/ELEE HI	trof acr	2	2	2L4' LED 13w/ELEE HI/RETUBE ONLY	retube 4' LED	1,988	0.1	0.1	0.0	254	171	83
2,644.0	Wayne Hills hs	Closet Closet Clean	2	3L4' T8 28w/ELEE LO	trof acr	2	2	3L4' LED 13w/ELEE LO/RETUBE ONLY	retube 4' LED	350	0.1	0.1	0.0	44	29	15
2,645.0	Wayne Hills hs	Storage Storage 234	2	2L4' T8 28w/ELEE HI-8'	wrap	7	7	2L4' LED 13w/ELEE HI/RETUBE ONLY	retube 4' LED	2,440	0.4	0.3	0.1	1,093	734	359
2,646.0	Wayne Hills hs	Storage Storage 234	2	1L4' T8 28w/ELEE HI	wrap	5	5	1L4' LED 13w/ELEE HI/RETUBE ONLY	retube 4' LED	2,440	0.2	0.1	0.1	403	262	140
2,647.0	Wayne Hills hs	Storage Storage 234	2	2L2' T8 15w/EL LO	wrap	2	2	2L2' LED 7w/ELEE LO/RETUBE ONLY	retube 2' LED	350	0.0	0.0	0.0	17	12	5
2,648.0	Wayne Hills hs	Storage Storage 234	2	2L2' T8 15w/EL LO	wrap	1	1	2L2' LED 7w/ELEE LO/RETUBE ONLY	retube 2' LED	350	0.0	0.0	0.0	8	6	2
2,649.0	Wayne Hills hs	Stair Stair East 5	s	2L4' T8 28w/ELEE LO	wrap	4	4	2L4' LED 13w/ELEE HI/RETUBE ONLY	retube 4' LED	3,640	0.2	0.1	0.1	612	408	204
2,650.0	Wayne Hills hs	Office Office 232	2	2L4' T8 28w/ELEE HI-8'	wrap	6	6	2L4' LED 13w/ELEE HI/RETUBE ONLY	retube 4' LED	1,988	0.4	0.3	0.1	763	513	250
2,651.0	Wayne Hills hs	Classroom Classroom 233	2	2L4' T8 28w/ELEE HI-8'	wrap	4	4	2L4' LED 13w/ELEE HI/RETUBE ONLY	retube 4' LED	1,988	0.3	0.2	0.1	509	342	167
2,652.0	Wayne Hills hs	Classroom Classroom 233	2	1L4' T8 28w/ELEE HI	wrap	1	1	1L4' LED 13w/ELEE HI/RETUBE ONLY	retube 4' LED	1,988	0.0	0.0	0.0	66	43	23
2,653.0	Wayne Hills hs	Classroom Classroom 233	2	2L4' T8 28w/ELEE HI-8'	wrap	7	7	2L4' LED 13w/ELEE HI/RETUBE ONLY	retube 4' LED	1,988	0.4	0.3	0.1	891	598	292
2,654.0	Wayne Hills hs	Office Office 233	2	2L4' T8 28w/ELEE HI-8'	wrap	3	3	2L4' LED 13w/ELEE HI/RETUBE ONLY	retube 4' LED	1,988	0.2	0.1	0.1	382	256	125
2,655.0	Wayne Hills hs	Classroom Classroom 231	2	2L4' T8 28w/ELEE HI-8'	wrap	4	4	2L4' LED 13w/ELEE HI/RETUBE ONLY	retube 4' LED	1,988	0.3	0.2	0.1	509	342	167



Line	Building Name	Location	FI	Pre Fixture Description	Pre Fixture Style	Pre Qty	Pre Qty In Scope	Post Fixture Description	Post Fixture Style	Annual Hours	Pre kW	Post kW	kW Saved CoIn.	Pre kWh	Post kWh	kWh Saved
2,656.0	Wayne Hills hs	Classroom Classroom 231	2	1L4' T8 28w/ELEE HI	wrap	1	1	1L4' LED 13w/ELEE HI/RETUBE ONLY	retube 4' LED	1,988	0.0	0.0	0.0	66	43	23
2,657.0	Wayne Hills hs	Classroom Classroom 231	2	2L4' T8 28w/ELEE HI-8'	wrap	7	7	2L4' LED 13w/ELEE HI/RETUBE ONLY	retube 4' LED	1,988	0.4	0.3	0.1	891	598	292
2,658.0	Wayne Hills hs	Classroom Classroom 229	2	2L4' T8 28w/ELEE HI-8'	wrap	4	4	2L4' LED 13w/ELEE HI/RETUBE ONLY	retube 4' LED	1,988	0.3	0.2	0.1	509	342	167
2,659.0	Wayne Hills hs	Classroom Classroom 229	2	1L4' T8 28w/ELEE HI	wrap	1	1	1L4' LED 13w/ELEE HI/RETUBE ONLY	retube 4' LED	1,988	0.0	0.0	0.0	66	43	23
2,660.0	Wayne Hills hs	Classroom Classroom 229	2	2L4' T8 28w/ELEE HI-8'	wrap	6	6	2L4' LED 13w/ELEE HI/RETUBE ONLY	retube 4' LED	1,988	0.4	0.3	0.1	763	513	250
2,661.0	Wayne Hills hs	Classroom Classroom 229	2	1L4' T8 28w/ELEE HI	wrap	2	2	1L4' LED 13w/ELEE HI/RETUBE ONLY	retube 4' LED	1,988	0.1	0.0	0.0	131	85	46
2,662.0	Wayne Hills hs	Office Office 229	2	2L4' T8 28w/ELEE HI-8'	wrap	3	3	2L4' LED 13w/ELEE HI/RETUBE ONLY	retube 4' LED	1,988	0.2	0.1	0.1	382	256	125
2,663.0	Wayne Hills hs	Classroom Classroom 228	2	2L4' T8 28w/ELEE HI-8'	wrap	5	5	2L4' LED 13w/ELEE HI/RETUBE ONLY	retube 4' LED	1,988	0.3	0.2	0.1	636	427	209
2,664.0	Wayne Hills hs	Classroom Classroom 228	2	2L4' T8 28w/ELEE HI-8'	wrap	7	7	2L4' LED 13w/ELEE HI/RETUBE ONLY	retube 4' LED	1,988	0.4	0.3	0.1	891	598	292
2,665.0	Wayne Hills hs	Classroom Classroom 228	2	1L4' T8 28w/ELEE HI	wrap	2	2	1L4' LED 13w/ELEE HI/RETUBE ONLY	retube 4' LED	1,988	0.1	0.0	0.0	131	85	46
2,666.0	Wayne Hills hs	Hall Hall 228	2	2L2' T8 15w/EL	trof acr	13	13	2L2' LED 7w/ELEE/RETUBE ONLY	retube 2' LED	2,548	0.4	0.2	0.1	927	629	298
2,667.0	Wayne Hills hs	Hall Hall Display Case	2	1L4' T8 28w/ELEE	strip	1	1	1L4' LED 13w/ELEE/RETUBE ONLY	retube 4' LED	2,548	0.0	0.0	0.0	61	41	20
2,668.0	Wayne Hills hs	Stair Stair West 1	s	2L4' T8 28w/ELEE LO	wrap	4	4	2L4' LED 13w/ELEE LO/RETUBE ONLY	retube 4' LED	3,640	0.2	0.1	0.1	612	408	204
2,669.0	Wayne Hills hs	Classroom Classroom 114	1	2L4' T8 28w/ELEE HI-8'	wrap	7	7	2L4' LED 13w/ELEE HI/RETUBE ONLY	retube 4' LED	1,988	0.4	0.3	0.1	891	598	292
2,670.0	Wayne Hills hs	Classroom Classroom 114	1	2L4' T8 28w/ELEE HI-8'	wrap	8	8	2L4' LED 13w/ELEE HI/RETUBE ONLY	retube 4' LED	1,988	0.5	0.3	0.1	1,018	684	334
2,671.0	Wayne Hills hs	Storage Storage 114	1	1L4' T8 28w/ELEE HI	wrap	3	3	1L4' LED 13w/ELEE HI/RETUBE ONLY	retube 4' LED	350	0.1	0.1	0.0	35	23	12
2,672.0	Wayne Hills hs	Classroom Classroom Studio	1	1L4' T8 28w/ELEE HI	wrap	3	3	1L4' LED 13w/ELEE HI/RETUBE ONLY	retube 4' LED	1,988	0.1	0.1	0.0	197	128	69
2,673.0	Wayne Hills hs	Classroom Classroom Studio	1	2L4' T8 28w/ELEE	trof acr	2	2	2L4' LED 13w/ELEE/RETUBE ONLY	retube 4' LED	1,988	0.1	0.1	0.0	191	127	64
2,674.0	Wayne Hills hs	Office Office 112	1	2L4' T8 28w/ELEE HI-8'	wrap	2	2	2L4' LED 13w/ELEE HI/RETUBE ONLY	retube 4' LED	1,988	0.1	0.1	0.0	254	171	83
2,675.0	Wayne Hills hs	Classroom Classroom 115	1	2L4' T8 28w/ELEE HI-8'	wrap	9	9	2L4' LED 13w/ELEE HI/RETUBE ONLY	retube 4' LED	1,988	0.6	0.4	0.2	1,145	769	376
2,676.0	Wayne Hills hs	Classroom Classroom 115	1	1L4' T8 28w/ELEE HI	wrap	1	1	1L4' LED 13w/ELEE HI/RETUBE ONLY	retube 4' LED	1,988	0.0	0.0	0.0	66	43	23
2,677.0	Wayne Hills hs	Closet Closet 115	1	1L4' T8 28w/ELEE HI	wrap	2	2	1L4' LED 13w/ELEE HI/RETUBE ONLY	retube 4' LED	350	0.1	0.0	0.0	23	15	8
2,678.0	Wayne Hills hs	Storage Storage Camera	1	1L4' T8 28w/ELEE HI	wrap	2	2	1L4' LED 13w/ELEE HI/RETUBE ONLY	retube 4' LED	350	0.1	0.0	0.0	23	15	8
2,679.0	Wayne Hills hs	Classroom Classroom Workroom	1	2L4' T8 28w/ELEE HI-8'	wrap	1	1	2L4' LED 13w/ELEE HI/RETUBE ONLY	retube 4' LED	1,988	0.1	0.0	0.0	127	85	42
2,680.0	Wayne Hills hs	Classroom Classroom Workroom	1	2L4' T8 28w/ELEE	trof acr	1	1	2L4' LED 13w/ELEE/RETUBE ONLY	retube 4' LED	1,988	0.0	0.0	0.0	95	64	32
2,681.0	Wayne Hills hs	Classroom Classroom 116	1	2L4' T8 28w/ELEE	trof acrylic dbl switch	18	18	2L4' LED 13w/ELEE/RETUBE ONLY	retube 4' LED	1,988	0.9	0.6	0.2	1,718	1,145	573
2,682.0	Wayne Hills hs	Classroom Classroom 116	1	2L4' T8 28w/ELEE	trof acrylic dbl switch	5	5	2L4' LED 13w/ELEE/RETUBE ONLY	retube 4' LED	1,988	0.2	0.2	0.1	477	318	159
2,683.0	Wayne Hills hs	Storage Storage 116	1	1L4' T8 28w/ELEE HI	wrap	1	1	1L4' LED 13w/ELEE HI/RETUBE ONLY	retube 4' LED	350	0.0	0.0	0.0	12	8	4
2,684.0	Wayne Hills hs	Hall Hall Stair West 1 To Stair South 1	1	2L2' T8 15w/EL	trof acr	12	12	2L2' LED 7w/ELEE/RETUBE ONLY	retube 2' LED	3,640	0.3	0.2	0.1	1,223	830	393
2,685.0	Wayne Hills hs	Classroom Classroom 117 Auto Shop	1	2L4' T8 28w/ELEE HI-8'	wrap	18	18	2L4' LED 13w/ELEE HI/RETUBE ONLY	retube 4' LED	2,840	1.2	0.8	0.4	3,272	2,198	1,074
2,686.0	Wayne Hills hs	Classroom Classroom 117 Auto Shop	1	1L4' T8 28w/ELEE HI	wrap	2	2	1L4' LED 13w/ELEE HI/RETUBE ONLY	retube 4' LED	2,840	0.1	0.0	0.0	187	122	65
2,687.0	Wayne Hills hs	Storage Storage 117 Auto Shop	1	1L4' T8 28w/ELEE HI	wrap	2	2	1L4' LED 13w/ELEE HI/RETUBE ONLY	retube 4' LED	350	0.1	0.0	0.0	23	15	8
2,688.0	Wayne Hills hs	Storage Storage Parts	1	2L4' T8 28w/ELEE HI-8'	wrap	2	2	2L4' LED 13w/ELEE HI/RETUBE ONLY	retube 4' LED	1,708	0.1	0.1	0.0	219	147	72
2,689.0	Wayne Hills hs	Storage Storage Band	1	2L4' T8 28w/ELEE LO	wrap	4	4	2L4' LED 13w/ELEE LO/RETUBE ONLY	retube 4' LED	350	0.2	0.1	0.0	59	39	20
2,690.0	Wayne Hills hs	Classroom Classroom 118	1	2L4' T8 28w/ELEE HI-8'	wrap	3	3	2L4' LED 13w/ELEE HI/RETUBE ONLY	retube 4' LED	1,988	0.2	0.1	0.1	382	256	125
2,691.0	Wayne Hills hs	Classroom Classroom 118	1	1L4' T8 28w/ELEE HI	wrap	1	1	1L4' LED 13w/ELEE HI/RETUBE ONLY	retube 4' LED	1,988	0.0	0.0	0.0	66	43	23
2,692.0	Wayne Hills hs	Classroom Classroom 118	1	2L4' T8 28w/ELEE HI-8'	wrap	9	9	2L4' LED 13w/ELEE HI/RETUBE ONLY	retube 4' LED	1,988	0.6	0.4	0.2	1,145	769	376
2,693.0	Wayne Hills hs	Classroom Classroom 118	1	1L4' T8 28w/ELEE HI	wrap	3	3	1L4' LED 13w/ELEE HI/RETUBE ONLY	retube 4' LED	1,988	0.1	0.1	0.0	197	128	69
2,694.0	Wayne Hills hs	Office Office 118	1	2L4' T8 28w/ELEE HI	trof opaque	1	1	2L4' LED 13w/ELEE HI/RETUBE ONLY	retube 4' LED	1,988	0.1	0.0	0.0	127	85	42
2,695.0	Wayne Hills hs	Hall Hall Practice Rooms	1	11W CF SCREW IN	square surface mt.	3		NO RETRO	no change	2,548	0.0	0.0		99	99	
2,696.0	Wayne Hills hs	Office Office Practice 1	1	1L4' T8 28w/ELEE HI	wrap	1	1	1L4' LED 13w/ELEE HI/RETUBE ONLY	retube 4' LED	1,988	0.0	0.0	0.0	66	43	23
2,697.0	Wayne Hills hs	Office Office Practice 2	1	1L4' T8 28w/ELEE HI	wrap	1	1	1L4' LED 13w/ELEE HI/RETUBE ONLY	retube 4' LED	1,988	0.0	0.0	0.0	66	43	23
2,698.0	Wayne Hills hs	Office Office Practice 3	1	1L4' T8 28w/ELEE HI	wrap	1	1	1L4' LED 13w/ELEE HI/RETUBE ONLY	retube 4' LED	1,988	0.0	0.0	0.0	66	43	23
2,699.0	Wayne Hills hs	Office Office 110 Ao	1	2L4' T8 28w/ELEE HI	trof acr	2	2	2L4' LED 13w/ELEE HI/RETUBE ONLY	retube 4' LED	1,988	0.1	0.1	0.0	254	171	83
2,700.0	Wayne Hills hs	Classroom Classroom 119	1	2L4' T8 28w/ELEE HI-8'	wrap	12	12	2L4' LED 13w/ELEE HI/RETUBE ONLY	retube 4' LED	1,988	0.8	0.5	0.2	1,527	1,026	501
2,701.0	Wayne Hills hs	Classroom Classroom 119	1	2L4' T8 28w/ELEE HI-8'	wrap	4	4	2L4' LED 13w/ELEE HI/RETUBE ONLY	retube 4' LED	1,988	0.3	0.2	0.1	509	342	167
2,702.0	Wayne Hills hs	Storage Storage 119	1	4L4' T8 28w/ELEE LO	trof opaque	1	1	4L4' LED 13w/ELEE LO/RETUBE ONLY	retube 4' LED	500	0.1	0.1	0.0	42	28	14
2,703.0	Wayne Hills hs	Office Office Custodian	1	4L4' T8 28w/ELEE LO-8'	strip	2	2	4L4' LED 13w/ELEE LO/RETUBE ONLY	retube 4' LED	1,988	0.2	0.1	0.0	330	223	107
2,704.0	Wayne Hills hs	Office Office Custodian	1	1L4' T8 28w/ELEE HI	wrap	2	2	1L4' LED 13w/ELEE HI/RETUBE ONLY	retube 4' LED	1,988	0.1	0.0	0.0	131	85	46
2,705.0	Wayne Hills hs	Storage Storage Custodian	1	1L4' T8 28w/ELEE HI	wrap	4	4	1L4' LED 13w/ELEE HI/RETUBE ONLY	retube 4' LED	350	0.1	0.1	0.0	46	30	16
2,706.0	Wayne Hills hs	Hall Hall 119 To 117	1	2L2' T8 15w/EL	trof acr	9	9	2L2' LED 7w/ELEE/RETUBE ONLY	retube 2' LED	3,640	0.3	0.2	0.1	917	622	295



Wayne NJ

Phase 2 Lighting Scope of Work

Line	Building Name	Location	FI	Pre Fixture Description	Pre Fixture Style	Pre Qty	Pre Qty In Scope	Post Fixture Description	Post Fixture Style	Annual Hours	Pre kW	Post kW	kW Saved Coin.	Pre kWh	Post kWh	kWh Saved
2,707.0	Wayne Hills hs	Mechanical Mechanical Elevator	1	1L4' T8 28w/ELEE HI	wrap	2	2	1L4' LED 13w/ELEE HI/RETUBE ONLY	retube 4' LED	350	0.1	0.0	0.0	23	15	8
2,708.0	Wayne Hills hs	Hall Hall 119 To 111	1	2L2' T8 15w/EL	trof acr	11	11	2L2' LED 7w/ELEE/RETUBE ONLY	retube 2' LED	3,640	0.3	0.2	0.1	1,121	761	360
2,709.0	Wayne Hills hs	Hall Hall Display Case	1	1L4' T8 28w/ELEE LO	strip	1	1	1L4' LED 13w/ELEE LO/RETUBE ONLY	retube 4' LED	3,640	0.0	0.0	0.0	80	51	29
2,710.0	Wayne Hills hs	Hall Hall Display Case	1	1L2' T8 15w/EL	strip	1	1	1L2' LED 7w/ELEE/RETUBE ONLY	retube 2' LED	3,640	0.0	0.0	0.0	62	35	27
2,711.0	Wayne Hills hs	Hall Hall Display Case	1	1L2' T8 15w/EL	strip	2	2	1L2' LED 7w/ELEE/RETUBE ONLY	retube 2' LED	3,640	0.0	0.0	0.0	124	69	55
2,712.0	Wayne Hills hs	Office Office Tickets	1	2L2' T8 15w/EL LO	wrap	1	1	2L2' LED 7w/ELEE LO/RETUBE ONLY	retube 2' LED	1,988	0.0	0.0	0.0	48	34	14
2,713.0	Wayne Hills hs	Classroom Classroom 119	1	2L4' T8 28w/ELEE HI-8'	wrap	9	9	2L4' LED 13w/ELEE HI/RETUBE ONLY	retube 4' LED	1,988	0.6	0.4	0.2	1,145	769	376
2,714.0	Wayne Hills hs	Classroom Classroom 119	1	NO EXISTING FIXTURE	no fixture exists	4		NO RETRO	no change	2,840						
2,715.0	Wayne Hills hs	Storage Storage 119	1	2L2' T8 15w/EL LO	wrap	1	1	2L2' LED 7w/ELEE LO/RETUBE ONLY	retube 2' LED	350	0.0	0.0	0.0	8	6	2
2,716.0	Wayne Hills hs	Storage Storage Kiln	1	2L4' T8 28w/ELEE HI	wrap	5	5	2L4' LED 13w/ELEE HI/RETUBE ONLY	retube 4' LED	350	0.3	0.2	0.1	112	75	37
2,717.0	Wayne Hills hs	Office Office 109 Ao	1	2L4' T8 28w/ELEE HI	wrap	4	4	2L4' LED 13w/ELEE HI/RETUBE ONLY	retube 4' LED	1,988	0.3	0.2	0.1	509	342	167
2,718.0	Wayne Hills hs	Storage Storage Files	1	2L2' T8 15w/EL LO	wrap	4	4	2L2' LED 7w/ELEE LO/RETUBE ONLY	retube 2' LED	350	0.1	0.1	0.0	34	24	10
2,719.0	Wayne Hills hs	Classroom Classroom 111	1	2L4' T8 28w/ELEE HI-8'	wrap	3	3	2L4' LED 13w/ELEE HI/RETUBE ONLY	retube 4' LED	1,988	0.2	0.1	0.1	382	256	125
2,720.0	Wayne Hills hs	Classroom Classroom 111	1	2L4' T8 28w/ELEE HI-8'	wrap	6	6	2L4' LED 13w/ELEE HI/RETUBE ONLY	retube 4' LED	1,988	0.4	0.3	0.1	763	513	250
2,721.0	Wayne Hills hs	Classroom Classroom 111	1	1L4' T8 28w/ELEE HI	wrap	2	2	1L4' LED 13w/ELEE HI/RETUBE ONLY	retube 4' LED	1,988	0.1	0.0	0.0	131	85	46
2,722.0	Wayne Hills hs	Classroom Classroom 113	1	2L4' T8 28w/ELEE HI-8'	wrap	7	7	2L4' LED 13w/ELEE HI/RETUBE ONLY	retube 4' LED	1,988	0.4	0.3	0.1	891	598	292
2,723.0	Wayne Hills hs	Classroom Classroom 113	1	2L4' T8 28w/ELEE HI-8'	wrap	14	14	2L4' LED 13w/ELEE HI/RETUBE ONLY	retube 4' LED	1,988	0.9	0.6	0.2	1,781	1,197	584
2,724.0	Wayne Hills hs	Storage Storage 113	1	2L4' T8 28w/ELEE LO	explosion	2	2	2L4' LED 13w/ELEE LO/RETUBE ONLY	retube 4' LED	350	0.1	0.1	0.0	29	20	10
2,725.0	Wayne Hills hs	Storage Storage Wood	1	1L4' T8 28w/ELEE HI	wrap	2	2	1L4' LED 13w/ELEE HI/RETUBE ONLY	retube 4' LED	350	0.1	0.0	0.0	23	15	8
2,726.0	Wayne Hills hs	Storage Storage Tools	1	1L4' T8 28w/ELEE HI	wrap	1	1	1L4' LED 13w/ELEE HI/RETUBE ONLY	retube 4' LED	350	0.0	0.0	0.0	12	8	4
2,727.0	Wayne Hills hs	Bath Bath Women	1	2L2' T8 15w/EL	trof acr	2	2	2L2' LED 7w/ELEE HI/RETUBE ONLY	retube 2' LED	2,548	0.1	0.1	0.0	168	138	31
2,728.0	Wayne Hills hs	Bath Bath Women	1	2L4' T8 28w/ELEE LO	vanity	1	1	2L4' LED 13w/ELEE LO/RETUBE ONLY	retube 4' LED	2,548	0.0	0.0	0.0	107	71	36
2,729.0	Wayne Hills hs	Bath Bath Men	1	2L2' T8 15w/EL	trof acr	6	6	2L2' LED 7w/ELEE HI/RETUBE ONLY	retube 2' LED	2,548	0.2	0.2	0.0	505	413	92
2,730.0	Wayne Hills hs	Bath Bath Men	1	2L4' T8 28w/ELEE LO	vanity	1	1	2L4' LED 13w/ELEE LO/RETUBE ONLY	retube 4' LED	2,548	0.0	0.0	0.0	107	71	36
2,731.0	Wayne Hills hs	Classroom Classroom Dressing Room	1	2L4' T8 28w/ELEE	trof acr	4	4	2L4' LED 13w/ELEE/RETUBE ONLY	retube 4' LED	1,988	0.2	0.1	0.1	382	254	127
2,732.0	Wayne Hills hs	Bath Bath Dressing Room	1	2L2' T8 15w/EL LO	wrap	1	1	2L2' LED 7w/ELEE LO/RETUBE ONLY	retube 2' LED	2,548	0.0	0.0	0.0	61	43	18
2,733.0	Wayne Hills hs	Stair Stair 114 To 109	s	2L2' T8 15w/EL	trof acr	11	11	2L2' LED 7w/ELEE/RETUBE ONLY	retube 2' LED	3,640	0.3	0.2	0.1	1,121	761	360
2,734.0	Wayne Hills hs	Stair Stair Display Case	s	1L4' T8 28w/ELEE	strip	1	1	1L4' LED 13w/ELEE/RETUBE ONLY	retube 4' LED	3,640	0.0	0.0	0.0	87	58	29
2,735.0	Wayne Hills hs	Hall Hall To Aud Side Entry	1	2L4' T8 28w/ELEE LO	trof acr	2	2	2L4' LED 13w/ELEE LO/RETUBE ONLY	retube 4' LED	2,548	0.1	0.1	0.0	214	143	71
2,736.0	Wayne Hills hs	Storage Storage Dressing Room	1	23W CF SCREW IN	hat	1		NO RETRO	no change	1,708	0.0	0.0		43	43	
2,737.0	Wayne Hills hs	Auditorium Auditorium Seating Area	1	21 WATT LED	can rec vert	16		NO RETRO	no change already LED	3,240	0.3	0.3		1,089	1,089	
2,738.0	Wayne Hills hs	Auditorium Auditorium Seating Area	1	21 WATT LED	can rec vert	88		NO RETRO	no change already LED	3,240	1.8	1.8		5,988	5,988	
2,739.0	Wayne Hills hs	Auditorium Auditorium Seating Area	1	3 WATT LED	can rec vert	4		NO RETRO	no change already LED	3,240	0.0	0.0		39	39	
2,740.0	Wayne Hills hs	Stage Stage	1	2L4' T8 28w/ELEE	wrap	14	14	2L4' LED 13w/ELEE/RETUBE ONLY	retube 4' LED	2,920	0.7	0.4	0.2	1,962	1,308	654
2,741.0	Wayne Hills hs	Storage Storage Stage	1	2L2' T8 15w/EL LO	wrap	3	3	2L2' LED 7w/ELEE LO/RETUBE ONLY	retube 2' LED	2,440	0.1	0.1	0.0	176	124	51
2,742.0	Wayne Hills hs	Hall Hall On Left Of Stage	1	21 WATT LED	can rec vert	3		NO RETRO	no change already LED	2,548	0.1	0.1		161	161	
2,743.0	Wayne Hills hs	Bath Bath Men	1	2L2' F40 BIAX/EL	trof acr	1		NO RETRO	no change	2,548	0.1	0.1		161	161	
2,744.0	Wayne Hills hs	Bath Bath Men	1	2L4' T8 28w/ELEE LO	trof acr	1	1	2L4' LED 13w/ELEE LO/RETUBE ONLY	retube 4' LED	2,548	0.0	0.0	0.0	107	71	36
2,745.0	Wayne Hills hs	Bath Bath Men	1	2L2' T8 15w/EL LO	vanity	1	1	2L2' LED 7w/ELEE LO/RETUBE ONLY	retube 2' LED	2,548	0.0	0.0	0.0	61	43	18
2,746.0	Wayne Hills hs	Bath Bath Women	1	2L2' F40 BIAX/EL	trof acr	1		NO RETRO	no change	2,548	0.1	0.1		161	161	
2,747.0	Wayne Hills hs	Bath Bath Women	1	2L4' T8 28w/ELEE LO	trof acr	1	1	2L4' LED 13w/ELEE LO/RETUBE ONLY	retube 4' LED	2,548	0.0	0.0	0.0	107	71	36
2,748.0	Wayne Hills hs	Bath Bath Women	1	2L2' T8 15w/EL LO	vanity	1	1	2L2' LED 7w/ELEE LO/RETUBE ONLY	retube 2' LED	2,548	0.0	0.0	0.0	61	43	18
2,749.0	Wayne Hills hs	Hall Hall Receiving	1	2L2' T8 15w/EL	trof acr	4	4	2L2' LED 7w/ELEE/RETUBE ONLY	retube 2' LED	3,640	0.1	0.1	0.0	408	277	131
2,750.0	Wayne Hills hs	Storage Storage 121 Sa	1	2L4' T8 28w/ELEE LO	strip	1	1	2L4' LED 13w/ELEE LO/RETUBE ONLY	retube 4' LED	350	0.0	0.0	0.0	15	10	5
2,751.0	Wayne Hills hs	Storage Storage 121 Sb	1	2L2' T8 15w/EL LO	wrap	1	1	2L2' LED 7w/ELEE LO/RETUBE ONLY	retube 2' LED	350	0.0	0.0	0.0	8	6	2
2,752.0	Wayne Hills hs	Mechanical Mechanical Boiler	1	4L4' T8 28w/ELEE LO-8'	wrap	5	5	4L4' LED 13w/ELEE LO/RETUBE ONLY	retube 4' LED	500	0.4	0.3	0.1	208	140	68
2,753.0	Wayne Hills hs	Mechanical Mechanical Boiler	1	2L4' T8 28w/ELEE LO	strip	3	3	2L4' LED 13w/ELEE LO/RETUBE ONLY	retube 4' LED	500	0.1	0.1	0.0	63	42	21
2,754.0	Wayne Hills hs	Mechanical Mechanical Boiler	1	2L4' T8 28w/ELEE HI-8'	wrap	3	3	2L4' LED 13w/ELEE HI/RETUBE ONLY	retube 4' LED	500	0.2	0.1	0.1	96	65	32
2,755.0	Wayne Hills hs	Mechanical Mechanical Boiler	1	1L4' T8 28w/ELEE HI	wrap	1	1	1L4' LED 13w/ELEE HI/RETUBE ONLY	retube 4' LED	500	0.0	0.0	0.0	17	11	6
2,756.0	Wayne Hills hs	Hall Hall By Kitchen	1	2L2' T8 15w/EL	trof acr	5	5	2L2' LED 7w/ELEE/RETUBE ONLY	retube 2' LED	2,548	0.1	0.1	0.0	357	242	115
2,757.0	Wayne Hills hs	Kitchen Kitchen 120 Prep Area	1	2L4' T8 28w/ELEE HI-8'	wrap	17	17	2L4' LED 13w/ELEE HI/RETUBE ONLY	retube 4' LED	2,840	1.1	0.7	0.3	3,090	2,076	1,014



Wayne NJ

Phase 2 Lighting Scope of Work

Line	Building Name	Location	FI	Pre Fixture Description	Pre Fixture Style	Pre Qty	Pre Qty In Scope	Post Fixture Description	Post Fixture Style	Annual Hours	Pre kW	Post kW	kW Saved Coin.	Pre kWh	Post kWh	kWh Saved
2,758.0	Wayne Hills hs	Kitchen Kitchen 120 Prep Area	1	2L4' T8 28w/ELEE LO	wrap	2	2	2L4' LED 13w/ELEE LO/RETUBE ONLY	retube 4' LED	2,840	0.1	0.1	0.0	239	159	80
2,759.0	Wayne Hills hs	Kitchen Kitchen Grease Hood	1	2L2' T8 15w/EL LO	wrap	7	7	2L2' LED 7w/ELEE LO/RETUBE ONLY	retube 2' LED	2,840	0.2	0.1	0.1	537	338	199
2,760.0	Wayne Hills hs	Storage Storage Dry Goods	1	1L4' T8 28w/ELEE HI	wrap	4	4	1L4' LED 13w/ELEE HI/RETUBE ONLY	retube 4' LED	500	0.1	0.1	0.0	66	43	23
2,761.0	Wayne Hills hs	Storage Storage Pans	1	1L4' T8 28w/ELEE HI	wrap	4	4	1L4' LED 13w/ELEE HI/RETUBE ONLY	retube 4' LED	500	0.1	0.1	0.0	66	43	23
2,762.0	Wayne Hills hs	Storage Storage Can	1	1L4' T8 28w/ELEE HI	wrap	4	4	1L4' LED 13w/ELEE HI/RETUBE ONLY	retube 4' LED	500	0.1	0.1	0.0	66	43	23
2,763.0	Wayne Hills hs	Cafeteria Cafeteria Seating Area	1	6L4' T8 28w/ELEE LO	circular opaque rec	36	36	3L4' LED 13w/ELEE/RETUBE ONLY	retube 4' LED	3,440	4.5	3.5	1.0	15,604	11,889	3,715
2,764.0	Wayne Hills hs	Cafeteria Cafeteria Seating Area	1	21 WATT LED	can rec vert	10		NO RETRO	no change already LED	3,440	0.2	0.2		722	722	
2,765.0	Wayne Hills hs	Cafeteria Cafeteria Seating Area	1	1L4' T8 28w/ELEE LO	cove	40	40	1L4' LED 13w/ELEE LO/RETUBE ONLY	retube 4' LED	3,440	0.9	0.6	0.3	3,027	1,926	1,101
2,766.0	Wayne Hills hs	Lounge Lounge Staff	1	8L4' T8 28w/ELEE LO	decorative	3	3	4L4' LED 13w/ELEE LO/RETUBE ONLY	retube 4' LED	1,764	0.5	0.3	0.2	878	593	286
2,767.0	Wayne Hills hs	Hall Hall By Cafeteria	1	2L4' T8 28w/ELEE LO-8'	strip	20	20	2L4' LED 13w/ELEE LO/RETUBE ONLY	retube 4' LED	3,640	0.8	0.6	0.3	3,058	2,038	1,019
2,768.0	Wayne Hills hs	Lobby Lobby Entry	1	2L2' T8 15w/EL	trof acr	8	8	2L2' LED 7w/ELEE HI/RETUBE ONLY	retube 2' LED	3,640	0.3	0.2	0.0	961	786	175
2,769.0	Wayne Hills hs	Lobby Lobby Entry	1	2L2' T8 15w/EL	trof acr	1	1	2L2' LED 7w/ELEE HI/RETUBE ONLY	retube 2' LED	3,640	0.0	0.0	0.0	120	98	22
2,770.0	Wayne Hills hs	Lobby Lobby Entry	1	2L2' F40 BIAX/EL	wallwash	6		NO RETRO	no change	3,640	0.4	0.4		1,376	1,376	
2,771.0	Wayne Hills hs	Hall Hall Commons To 165	1	2L2' T8 15w/EL	trof acr	10	10	2L2' LED 7w/ELEE/RETUBE ONLY	retube 2' LED	2,548	0.3	0.2	0.1	713	484	229
2,772.0	Wayne Hills hs	Hall Hall Commons To 165	1	2L4' T8 28w/ELEE LO	trof acr	9	9	2L4' LED 13w/ELEE LO/RETUBE ONLY	retube 4' LED	2,548	0.4	0.3	0.1	963	642	321
2,773.0	Wayne Hills hs	Hall Hall Commons To 165	1	4L4' T8 28w/ELEE LO	decorative	1	1	4L4' LED 13w/ELEE LO/RETUBE ONLY	retube 4' LED	2,548	0.1	0.1	0.0	211	143	69
2,774.0	Wayne Hills hs	Storage Storage Paper	1	23W CF SCREW IN	hat	3		NO RETRO	no change	350	0.1	0.1		26	26	
2,775.0	Wayne Hills hs	Storage Storage Shelves	1	23W CF SCREW IN	hat	2		NO RETRO	no change	350	0.1	0.1		18	18	
2,776.0	Wayne Hills hs	Closet Closet Clean	1	1L4' T8 28w/ELEE HI	wrap	1	1	1L4' LED 13w/ELEE HI/RETUBE ONLY	retube 4' LED	350	0.0	0.0	0.0	12	8	4
2,777.0	Wayne Hills hs	Storage Storage Tables	1	2L2' T8 15w/EL LO	wrap	3	3	2L2' LED 7w/ELEE LO/RETUBE ONLY	retube 2' LED	350	0.1	0.1	0.0	25	18	7
2,778.0	Wayne Hills hs	Storage Storage Generator Access Outside	1	1L4' T8 28w/ELEE HI	wrap	2	2	1L4' LED 13w/ELEE HI/RETUBE ONLY	retube 4' LED	500	0.1	0.0	0.0	33	22	12
2,779.0	Wayne Hills hs	Classroom Classroom 164	1	2L4' T8 28w/ELEE	trof para dbl switch	12	12	2L4' LED 13w/ELEE/RETUBE ONLY	retube 4' LED	1,988	0.6	0.4	0.2	1,145	763	382
2,780.0	Wayne Hills hs	Classroom Classroom 165	1	2L4' T8 28w/ELEE	trof para dbl switch	12	12	2L4' LED 13w/ELEE/RETUBE ONLY	retube 4' LED	1,988	0.6	0.4	0.2	1,145	763	382
2,781.0	Wayne Hills hs	Classroom Classroom 162	1	2L4' T8 28w/ELEE	trof para dbl switch	9	9	2L4' LED 13w/ELEE/RETUBE ONLY	retube 4' LED	1,988	0.4	0.3	0.1	859	573	286
2,782.0	Wayne Hills hs	Classroom Classroom 163	1	2L4' T8 28w/ELEE	trof para dbl switch	9	9	2L4' LED 13w/ELEE/RETUBE ONLY	retube 4' LED	1,988	0.4	0.3	0.1	859	573	286
2,783.0	Wayne Hills hs	Classroom Classroom 161	1	3L4' T8 28w/ELEE LO	indirect	6	6	3L4' LED 13w/ELEE LO/RETUBE ONLY	retube 4' LED	1,988	1.1	0.8	0.3	2,254	1,503	751
2,784.0	Wayne Hills hs	Classroom Classroom 161	1	6L4' T8 28w/ELEE LO-8'	indirect	3	3	3L4' LED 13w/ELEE/RETUBE ONLY	retube 4' LED	1,988	0.4	0.3	0.1	751	573	179
2,785.0	Wayne Hills hs	Storage Storage 161	1	1L4' T8 28w/ELEE HI	wrap	3	3	1L4' LED 13w/ELEE HI/RETUBE ONLY	retube 4' LED	350	0.1	0.1	0.0	35	23	12
2,786.0	Wayne Hills hs	Classroom Classroom 160	1	2L4' T8 28w/ELEE	trof para dbl switch	9	9	2L4' LED 13w/ELEE/RETUBE ONLY	retube 4' LED	1,988	0.4	0.3	0.1	859	573	286
2,787.0	Wayne Hills hs	Hall Hall 165 To 128	1	2L4' T8 28w/ELEE LO	trof acr	24	24	2L4' LED 13w/ELEE LO/RETUBE ONLY	retube 4' LED	3,640	1.0	0.7	0.3	3,669	2,446	1,223
2,788.0	Wayne Hills hs	Hall Hall 165 To 128	1	4L4' T8 28w/ELEE LO	decorative	3	3	4L4' LED 13w/ELEE LO/RETUBE ONLY	retube 4' LED	3,640	0.2	0.2	0.1	906	612	295
2,789.0	Wayne Hills hs	Storage Storage 158 Sc	1	1L4' T8 28w/ELEE HI	wrap	3	3	1L4' LED 13w/ELEE HI/RETUBE ONLY	retube 4' LED	350	0.1	0.1	0.0	35	23	12
2,790.0	Wayne Hills hs	Bath Bath 158 Gt	1	2L4' T8 28w/ELEE LO	trof acr	3	3	2L4' LED 13w/ELEE LO/RETUBE ONLY	retube 4' LED	2,548	0.1	0.1	0.0	321	214	107
2,791.0	Wayne Hills hs	Bath Bath 158 Gt	1	2L2' F40 BIAX/EL	trof acr	1		NO RETRO	no change	2,548	0.1	0.1		161	161	
2,792.0	Wayne Hills hs	Closet Closet Clean	1	1L4' T8 28w/ELEE HI	wrap	1	1	1L4' LED 13w/ELEE HI/RETUBE ONLY	retube 4' LED	350	0.0	0.0	0.0	12	8	4
2,793.0	Wayne Hills hs	Bath Bath 158 Bt	1	2L4' T8 28w/ELEE LO	trof acr	3	3	2L4' LED 13w/ELEE LO/RETUBE ONLY	retube 4' LED	2,548	0.1	0.1	0.0	321	214	107
2,794.0	Wayne Hills hs	Bath Bath 158 Bt	1	2L2' F40 BIAX/EL	trof acr	1		NO RETRO	no change	2,548	0.1	0.1		161	161	
2,795.0	Wayne Hills hs	Office Open Office Open 159	1	2L4' T8 28w/ELEE HI	trof para dbl switch	5	5	2L4' LED 13w/ELEE HI/RETUBE ONLY	retube 4' LED	2,408	0.3	0.2	0.1	771	518	253
2,796.0	Wayne Hills hs	Bath Bath 159	1	2L2' F40 BIAX/EL	trof acr	1		NO RETRO	no change	2,548	0.1	0.1		161	161	
2,797.0	Wayne Hills hs	Office Office 159	1	2L4' T8 28w/ELEE HI	trof para dbl switch	3	3	2L4' LED 13w/ELEE HI/RETUBE ONLY	retube 4' LED	1,988	0.2	0.1	0.1	382	256	125
2,798.0	Wayne Hills hs	Classroom Classroom 156	1	2L4' T8 28w/ELEE	trof para dbl switch	12	12	2L4' LED 13w/ELEE/RETUBE ONLY	retube 4' LED	1,988	0.6	0.4	0.2	1,145	763	382
2,799.0	Wayne Hills hs	Classroom Classroom 157	1	2L4' T8 28w/ELEE	trof para dbl switch	6	6	2L4' LED 13w/ELEE/RETUBE ONLY	retube 4' LED	1,988	0.3	0.2	0.1	573	382	191
2,800.0	Wayne Hills hs	Classroom Classroom 155	1	2L4' T8 28w/ELEE	trof para dbl switch	12	12	2L4' LED 13w/ELEE/RETUBE ONLY	retube 4' LED	1,988	0.6	0.4	0.2	1,145	763	382
2,801.0	Wayne Hills hs	Classroom Classroom 154	1	2L4' T8 28w/ELEE	trof para dbl switch	12	12	2L4' LED 13w/ELEE/RETUBE ONLY	retube 4' LED	1,988	0.6	0.4	0.2	1,145	763	382
2,802.0	Wayne Hills hs	Classroom Classroom 128 Training	1	2L4' T8 28w/ELEE HI-8'	wrap	6	6	2L4' LED 13w/ELEE/RETUBE ONLY	retube 4' LED	1,988	0.4	0.3	0.1	763	513	250
2,803.0	Wayne Hills hs	Classroom Classroom 128 Training	1	1L4' T8 28w/ELEE HI	wrap	3	3	1L4' LED 13w/ELEE HI/RETUBE ONLY	retube 4' LED	1,988	0.1	0.1	0.0	197	128	69
2,804.0	Wayne Hills hs	Classroom Classroom 127	1	2L4' T8 28w/ELEE HI-8'	wrap	12	12	2L4' LED 13w/ELEE HI/RETUBE ONLY	retube 4' LED	1,988	0.8	0.5	0.2	1,527	1,026	501
2,805.0	Wayne Hills hs	Classroom Classroom 127	1	1L4' T8 28w/ELEE HI	wrap	4	4	1L4' LED 13w/ELEE HI/RETUBE ONLY	retube 4' LED	1,988	0.1	0.1	0.0	262	171	91
2,806.0	Wayne Hills hs	Office Office 126	1	2L4' T8 28w/ELEE HI-8'	wrap	4	4	2L4' LED 13w/ELEE HI/RETUBE ONLY	retube 4' LED	1,988	0.3	0.2	0.1	509	342	167
2,807.0	Wayne Hills hs	Classroom Classroom 125	1	2L4' T8 28w/ELEE	trof acr	12	12	2L4' LED 13w/ELEE/RETUBE ONLY	retube 4' LED	1,988	0.6	0.4	0.2	1,145	763	382
2,808.0	Wayne Hills hs	Hall Hall 128 To 122	1	2L2' T8 15w/EL	trof acr	12	12	2L2' LED 7w/ELEE/RETUBE ONLY	retube 2' LED	3,640	0.3	0.2	0.1	1,223	830	393



Wayne NJ

Phase 2 Lighting Scope of Work

Line	Building Name	Location	FI	Pre Fixture Description	Pre Fixture Style	Pre Qty	Pre Qty In Scope	Post Fixture Description	Post Fixture Style	Annual Hours	Pre kW	Post kW	kW Saved Coin.	Pre kWh	Post kWh	kWh Saved
2,809.0	Wayne Hills hs	Classroom Classroom 124	1	2L4' T8 28w/ELEE HI-8'	wrap	9	9	2L4' LED 13w/ELEE HI/RETUBE ONLY	retube 4' LED	1,988	0.6	0.4	0.2	1,145	769	376
2,810.0	Wayne Hills hs	Classroom Classroom 122	1	2L4' T8 28w/ELEE HI-8'	wrap	6	6	2L4' LED 13w/ELEE HI/RETUBE ONLY	retube 4' LED	1,988	0.4	0.3	0.1	763	513	250
2,811.0	Wayne Hills hs	Classroom Classroom 122	1	1L4' T8 28w/ELEE HI	wrap	3	3	1L4' LED 13w/ELEE HI/RETUBE ONLY	retube 4' LED	1,988	0.1	0.1	0.0	197	128	69
2,812.0	Wayne Hills hs	Classroom Classroom 122	1	2L4' T8 28w/ELEE HI-8'	wrap	9	9	2L4' LED 13w/ELEE HI/RETUBE ONLY	retube 4' LED	1,988	0.6	0.4	0.2	1,145	769	376
2,813.0	Wayne Hills hs	Gym Gym Main	1	222 WATT LED	high bay	36		NO RETRO	no change already LED	2,408	8.0	8.0		19,245	19,245	
2,814.0	Wayne Hills hs	Gym Gym Main	1	222 WATT LED	high bay	12		NO RETRO	no change already LED	2,408	2.7	2.7		6,415	6,415	
2,815.0	Wayne Hills hs	Storage Storage Mats	1	3x13W CF HARDWIRED	drum	2		NO RETRO	no change	350	0.1	0.1		32	32	
2,816.0	Wayne Hills hs	Storage Storage Balls	1	1L4' T8 28w/ELEE HI	wrap	2	2	1L4' LED 13w/ELEE HI/RETUBE ONLY	retube 4' LED	350	0.1	0.0	0.0	23	15	8
2,817.0	Wayne Hills hs	Closet Closet Clean	1	23W CF HARDWIRED/EL	hat	1		NO RETRO	no change	350	0.0	0.0		9	9	
2,818.0	Wayne Hills hs	Storage Storage Balance Beam	1	1L4' T8 28w/ELEE HI	wrap	1	1	1L4' LED 13w/ELEE HI/RETUBE ONLY	retube 4' LED	350	0.0	0.0	0.0	12	8	4
2,819.0	Wayne Hills hs	Storage Storage Balance Beam	1	1L4' T8 28w/ELEE HI	wrap	1	1	1L4' LED 13w/ELEE HI/RETUBE ONLY	retube 4' LED	350	0.0	0.0	0.0	12	8	4
2,820.0	Wayne Hills hs	Storage Storage Equipment	1	1L4' T8 28w/ELEE HI	wrap	4	4	1L4' LED 13w/ELEE HI/RETUBE ONLY	retube 4' LED	350	0.1	0.1	0.0	46	30	16
2,821.0	Wayne Hills hs	Storage Storage Basket Balls	1	1L4' T8 28w/ELEE HI	wrap	3	3	1L4' LED 13w/ELEE HI/RETUBE ONLY	retube 4' LED	350	0.1	0.1	0.0	35	23	12
2,822.0	Wayne Hills hs	Closet Closet Clean	1	23W CF SCREW IN	hat	1		NO RETRO	no change	350	0.0	0.0		9	9	
2,823.0	Wayne Hills hs	Lobby Lobby Main Office To 100	1	6L4' T8 28w/ELEE LO	circular opaque rec	11	11	3L4' LED 13w/ELEE/RETUBE ONLY	retube 4' LED	3,640	1.4	1.1	0.3	5,045	3,844	1,201
2,824.0	Wayne Hills hs	Lobby Lobby Main Office To 100	1	2L2' T8 15w/EL	trof acr	9	9	2L2' LED 7w/ELEE HI/RETUBE ONLY	retube 2' LED	3,640	0.3	0.2	0.1	1,081	885	197
2,825.0	Wayne Hills hs	Bath Bath 108 Bt	1	2L2' T8 15w/EL	trof acr	6	6	2L2' LED 7w/ELEE HI/RETUBE ONLY	retube 2' LED	2,548	0.2	0.2	0.0	505	413	92
2,826.0	Wayne Hills hs	Bath Bath 108 Gt	1	2L2' T8 15w/EL	trof acr	6	6	2L2' LED 7w/ELEE HI/RETUBE ONLY	retube 2' LED	2,548	0.2	0.2	0.0	505	413	92
2,827.0	Wayne Hills hs	Office Office Principal	1	2L4' T8 28w/ELEE HI-8'	wrap	4	4	2L4' LED 13w/ELEE HI/RETUBE ONLY	retube 4' LED	2,840	0.3	0.2	0.1	727	488	239
2,828.0	Wayne Hills hs	Office Office Principal	1	1L4' T8 28w/ELEE HI	wrap	2	2	1L4' LED 13w/ELEE HI/RETUBE ONLY	retube 4' LED	2,840	0.1	0.0	0.0	187	122	65
2,829.0	Wayne Hills hs	Office Open Office Open Main	1	2L4' T8 28w/ELEE HI-8'	wrap	8	8	2L4' LED 13w/ELEE HI/RETUBE ONLY	retube 4' LED	2,408	0.5	0.3	0.1	1,233	828	405
2,830.0	Wayne Hills hs	Office Open Office Open Main	1	1L4' T8 28w/ELEE HI	wrap	4	4	1L4' LED 13w/ELEE HI/RETUBE ONLY	retube 4' LED	2,408	0.1	0.1	0.0	318	207	111
2,831.0	Wayne Hills hs	Kitchen Kitchen Coffee	1	3L4' T8 28w/ELEE LO	trof acr 1' wide	4	4	3L4' LED 13w/ELEE LO/RETUBE ONLY	retube 4' LED	1,988	0.3	0.2	0.1	501	334	167
2,832.0	Wayne Hills hs	Storage Storage Vault	1	3L4' T8 28w/ELEE LO	trof acr 1' wide	1	1	3L4' LED 13w/ELEE LO/RETUBE ONLY	retube 4' LED	350	0.1	0.0	0.0	22	15	7
2,833.0	Wayne Hills hs	Hall Hall Main Office	1	1L4' T8 28w/ELEE HI	wrap	3	3	1L4' LED 13w/ELEE HI/RETUBE ONLY	retube 4' LED	2,548	0.1	0.1	0.0	252	164	88
2,834.0	Wayne Hills hs	Conference Conference Main Office	1	3L4' T8 28w/ELEE LO	trof acr 1' wide	6	6	3L4' LED 13w/ELEE LO/RETUBE ONLY	retube 4' LED	1,988	0.4	0.3	0.1	751	501	250
2,835.0	Wayne Hills hs	Office Office Vice Principal	1	3L4' T8 28w/ELEE LO	trof acr 1' wide	6	6	3L4' LED 13w/ELEE LO/RETUBE ONLY	retube 4' LED	1,988	0.4	0.3	0.1	751	501	250
2,836.0	Wayne Hills hs	Office Office Vice Principal	1	3L4' T8 28w/ELEE LO	trof acr 1' wide	6	6	3L4' LED 13w/ELEE LO/RETUBE ONLY	retube 4' LED	1,988	0.4	0.3	0.1	751	501	250
2,837.0	Wayne Hills hs	Office Open Office Open Guidance	1	2L4' T8 28w/ELEE HI-8'	wrap	5	5	2L4' LED 13w/ELEE HI/RETUBE ONLY	retube 4' LED	2,408	0.3	0.2	0.1	771	518	253
2,838.0	Wayne Hills hs	Office Open Office Open Guidance	1	2L2' T8 15w/EL	trof acr	1	1	2L2' LED 7w/ELEE HI/RETUBE ONLY	retube 2' LED	2,408	0.0	0.0	0.0	79	65	14
2,839.0	Wayne Hills hs	Office Office 104C	1	3L4' T8 28w/ELEE LO	trof acr 1' wide	4	4	3L4' LED 13w/ELEE LO/RETUBE ONLY	retube 4' LED	1,988	0.3	0.2	0.1	501	334	167
2,840.0	Wayne Hills hs	Office Office 104E	1	3L4' T8 28w/ELEE LO	trof acr 1' wide	2	2	3L4' LED 13w/ELEE LO/RETUBE ONLY	retube 4' LED	1,988	0.1	0.1	0.0	250	167	83
2,841.0	Wayne Hills hs	Office Office 104F	1	3L4' T8 28w/ELEE LO	trof acr 1' wide	2	2	3L4' LED 13w/ELEE LO/RETUBE ONLY	retube 4' LED	1,988	0.1	0.1	0.0	250	167	83
2,842.0	Wayne Hills hs	Office Office 104G	1	3L4' T8 28w/ELEE LO	trof acr 1' wide	4	4	3L4' LED 13w/ELEE LO/RETUBE ONLY	retube 4' LED	1,988	0.3	0.2	0.1	501	334	167
2,843.0	Wayne Hills hs	Office Office 104H	1	3L4' T8 28w/ELEE LO	trof acr 1' wide	2	2	3L4' LED 13w/ELEE LO/RETUBE ONLY	retube 4' LED	1,988	0.1	0.1	0.0	250	167	83
2,844.0	Wayne Hills hs	Office Open Office Open Medical Exam	1	3L4' T8 28w/ELEE LO	trof acr 1' wide	4	4	3L4' LED 13w/ELEE LO/RETUBE ONLY	retube 4' LED	2,408	0.3	0.2	0.1	607	405	202
2,845.0	Wayne Hills hs	Office Open Office Open Nurse	1	4L4' T8 28w/ELEE HI	wrap	1	1	2L4' LED 13w/ELEE HI/RETUBE ONLY	retube 4' LED	2,408	0.1	0.1	0.0	303	207	96
2,846.0	Wayne Hills hs	Office Open Office Open Nurse	1	2L4' T8 28w/ELEE	wrap	1	1	2L4' LED 13w/ELEE/RETUBE ONLY	retube 4' LED	2,408	0.0	0.0	0.0	116	77	39
2,847.0	Wayne Hills hs	Office Open Office Open Nurse	1	4L4' T8 28w/ELEE HI	wrap	2	2	2L4' LED 13w/ELEE HI/RETUBE ONLY	retube 4' LED	2,408	0.3	0.2	0.1	607	414	193
2,848.0	Wayne Hills hs	Office Open Office Open Nurse	1	2L4' T8 28w/ELEE	wrap	2	2	2L4' LED 13w/ELEE/RETUBE ONLY	retube 4' LED	2,408	0.1	0.1	0.0	231	154	77
2,849.0	Wayne Hills hs	Office Open Office Open Nurse	1	2L4' T8 28w/ELEE LO	vanity	1	1	2L4' LED 13w/ELEE LO/RETUBE ONLY	retube 4' LED	2,408	0.0	0.0	0.0	101	67	34
2,850.0	Wayne Hills hs	Office Office Beds	1	2L2' T8 15w/EL	trof acr	1	1	2L2' LED 7w/ELEE HI/RETUBE ONLY	retube 2' LED	1,988	0.0	0.0	0.0	66	54	12
2,851.0	Wayne Hills hs	Office Office Beds	1	2L2' T8 15w/EL	trof acr	1	1	2L2' LED 7w/ELEE HI/RETUBE ONLY	retube 2' LED	1,988	0.0	0.0	0.0	66	54	12
2,852.0	Wayne Hills hs	Storage Storage Air Handler	1	1L4' T8 28w/ELEE HI	wrap	1	1	1L4' LED 13w/ELEE HI/RETUBE ONLY	retube 4' LED	500	0.0	0.0	0.0	17	11	6
2,853.0	Wayne Hills hs	Bath Bath Nurse	1	2L2' T8 15w/EL LO	wrap	1	1	2L2' LED 7w/ELEE LO/RETUBE ONLY	retube 2' LED	2,548	0.0	0.0	0.0	61	43	18
2,854.0	Wayne Hills hs	Storage Storage 100	1	2L2' T8 15w/EL LO	wrap	1	1	2L2' LED 7w/ELEE LO/RETUBE ONLY	retube 2' LED	350	0.0	0.0	0.0	8	6	2
2,855.0	Wayne Hills hs	Locker Locker 101 Boys Team	1	2L4' T8 28w/ELEE HI-8'	wrap	5	5	2L4' LED 13w/ELEE HI/RETUBE ONLY	retube 4' LED	3,640	0.3	0.2	0.1	1,165	783	382
2,856.0	Wayne Hills hs	Locker Locker 101 Boys Team	1	1L4' T8 28w/ELEE HI	wrap	1	1	1L4' LED 13w/ELEE HI/RETUBE ONLY	retube 4' LED	3,640	0.0	0.0	0.0	120	78	42
2,857.0	Wayne Hills hs	Office Office Exam	1	2L4' T8 28w/ELEE HI	trof acr	1	1	2L4' LED 13w/ELEE HI/RETUBE ONLY	retube 4' LED	2,840	0.1	0.0	0.0	182	122	60
2,858.0	Wayne Hills hs	Bath Bath Exam	1	1L4' T8 28w/ELEE HI	wrap	1	1	1L4' LED 13w/ELEE HI/RETUBE ONLY	retube 4' LED	2,548	0.0	0.0	0.0	84	55	29
2,859.0	Wayne Hills hs	Bath Bath Exam	1	2L4' T8 28w/ELEE LO	vanity	1	1	2L4' LED 13w/ELEE LO/RETUBE ONLY	retube 4' LED	2,548	0.0	0.0	0.0	107	71	36



Wayne NJ

Phase 2 Lighting Scope of Work

Line	Building Name	Location	FI	Pre Fixture Description	Pre Fixture Style	Pre Qty	Pre Qty In Scope	Post Fixture Description	Post Fixture Style	Annual Hours	Pre kW	Post kW	kW Saved CoIn.	Pre kWh	Post kWh	kWh Saved
2,860.0	Wayne Hills hs	Storage Storage Exam	1	2L2' T8 15w/EL LO	wrap	2	2	2L2' LED 7w/ELEE LO/RETUBE ONLY	retube 2' LED	350	0.0	0.0	0.0	17	12	5
2,861.0	Wayne Hills hs	Storage Storage Gatorade	1	2L2' T8 15w/EL LO	wrap	3	3	2L2' LED 7w/ELEE LO/RETUBE ONLY	retube 2' LED	350	0.1	0.1	0.0	25	18	7
2,862.0	Wayne Hills hs	Locker Locker Boys	1	1L4' T8 28w/ELEE HI	wrap	22	22	1L4' LED 13w/ELEE HI/RETUBE ONLY	retube 4' LED	3,640	0.7	0.5	0.2	2,643	1,722	921
2,863.0	Wayne Hills hs	Locker Locker Shower	1	23W CF SCREW IN	square recessed	10		NO RETRO	no change	3,640	0.3	0.3		910	910	
2,864.0	Wayne Hills hs	Locker Locker Toilet Area	1	1L4' T8 28w/ELEE HI	wrap	1	1	1L4' LED 13w/ELEE HI/RETUBE ONLY	retube 4' LED	2,548	0.0	0.0	0.0	84	55	29
2,865.0	Wayne Hills hs	Locker Locker Toilet Area	1	2L4' T8 28w/ELEE LO	vanity	1	1	2L4' LED 13w/ELEE LO/RETUBE ONLY	retube 4' LED	2,548	0.0	0.0	0.0	107	71	36
2,866.0	Wayne Hills hs	Office Office Coach	1	2L4' T8 28w/ELEE HI-8'	wrap	3	3	2L4' LED 13w/ELEE HI/RETUBE ONLY	retube 4' LED	1,988	0.2	0.1	0.1	382	256	125
2,867.0	Wayne Hills hs	Bath Bath Coach	1	2L2' T8 15w/EL LO	vanity	1	1	2L2' LED 7w/ELEE LO/RETUBE ONLY	retube 2' LED	2,548	0.0	0.0	0.0	61	43	18
2,868.0	Wayne Hills hs	Bath Bath Coach	1	13W CF HARDWIRED	can rec hor 6"	1		NO RETRO	no change	2,548	0.0	0.0		38	38	
2,869.0	Wayne Hills hs	Locker Locker Girls	1	2L4' T8 28w/ELEE HI	trof acr	2	2	2L4' LED 13w/ELEE HI/RETUBE ONLY	retube 4' LED	3,640	0.1	0.1	0.0	466	313	153
2,870.0	Wayne Hills hs	Locker Locker Girls	1	1L4' T8 28w/ELEE HI	wrap	21	21	1L4' LED 13w/ELEE HI/RETUBE ONLY	retube 4' LED	3,640	0.7	0.5	0.2	2,523	1,643	879
2,871.0	Wayne Hills hs	Locker Locker Toilet Area	1	1L4' T8 28w/ELEE HI	wrap	1	1	1L4' LED 13w/ELEE HI/RETUBE ONLY	retube 4' LED	2,548	0.0	0.0	0.0	84	55	29
2,872.0	Wayne Hills hs	Locker Locker Toilet Area	1	2L4' T8 28w/ELEE LO	vanity	1	1	2L4' LED 13w/ELEE LO/RETUBE ONLY	retube 4' LED	2,548	0.0	0.0	0.0	107	71	36
2,873.0	Wayne Hills hs	Locker Locker Shower	1	23W CF SCREW IN	square recessed	10		NO RETRO	no change	3,640	0.3	0.3		910	910	
2,874.0	Wayne Hills hs	Office Office Coach	1	2L4' T8 28w/ELEE HI-8'	wrap	3	3	2L4' LED 13w/ELEE HI/RETUBE ONLY	retube 4' LED	1,988	0.2	0.1	0.1	382	256	125
2,875.0	Wayne Hills hs	Bath Bath Coach	1	1L4' T8 28w/ELEE HI	wrap	1	1	1L4' LED 13w/ELEE HI/RETUBE ONLY	retube 4' LED	2,548	0.0	0.0	0.0	84	55	29
2,876.0	Wayne Hills hs	Bath Bath Coach	1	2L2' T8 15w/EL LO	vanity	1	1	2L2' LED 7w/ELEE LO/RETUBE ONLY	retube 2' LED	2,548	0.0	0.0	0.0	61	43	18
2,877.0	Wayne Hills hs	Hall Hall By Courtyard	1	2L2' T8 15w/EL	trof acr	3	3	2L2' LED 7w/ELEE/RETUBE ONLY	retube 2' LED	1,820	0.1	0.1	0.0	153	104	49
2,878.0	Wayne Hills hs	Hall Hall By Courtyard	1	13W CF HARDWIRED	can rec hor 6"	2		NO RETRO	no change	2,548	0.0	0.0		76	76	
2,879.0	Wayne Hills hs	Office Office 153	1	2L4' T8 28w/ELEE HI	trof acr	4	4	2L4' LED 13w/ELEE HI/RETUBE ONLY	retube 4' LED	1,988	0.3	0.2	0.1	509	342	167
2,880.0	Wayne Hills hs	Storage Storage Balls	1	2L4' T8 28w/ELEE LO	vapor tight	1	1	2L4' LED 13w/ELEE LO/RETUBE ONLY	retube 4' LED	500	0.0	0.0	0.0	21	14	7
2,881.0	Wayne Hills hs	Office Office 152	1	2L4' T8 28w/ELEE HI	trof acr	3	3	2L4' LED 13w/ELEE HI/RETUBE ONLY	retube 4' LED	1,988	0.2	0.1	0.1	382	256	125
2,882.0	Wayne Hills hs	Office Office 152	1	2L4' T8 28w/ELEE HI	trof acr	1	1	2L4' LED 13w/ELEE HI/RETUBE ONLY	retube 4' LED	1,988	0.1	0.0	0.0	127	85	42
2,883.0	Wayne Hills hs	Locker Locker 150 Coach	1	2L2' T8 15w/EL	trof acr	1	1	2L2' LED 7w/ELEE HI/RETUBE ONLY	retube 2' LED	2,548	0.0	0.0	0.0	84	69	15
2,884.0	Wayne Hills hs	Locker Locker 150 Coach	1	2L4' T8 28w/ELEE HI	trof acr	3	3	2L4' LED 13w/ELEE HI/RETUBE ONLY	retube 4' LED	2,548	0.2	0.1	0.1	489	329	161
2,885.0	Wayne Hills hs	Bath Bath 150 Coach	1	1L4' T8 28w/ELEE HI	wrap	2	2	1L4' LED 13w/ELEE HI/RETUBE ONLY	retube 4' LED	2,548	0.1	0.0	0.0	168	110	59
2,886.0	Wayne Hills hs	Bath Bath 150 Coach	1	2L2' T8 15w/EL LO	vanity	1	1	2L2' LED 7w/ELEE LO/RETUBE ONLY	retube 2' LED	2,548	0.0	0.0	0.0	61	43	18
2,887.0	Wayne Hills hs	Locker Locker 149 Girls	1	2L2' T8 15w/EL	trof acr	5	5	2L2' LED 7w/ELEE HI/RETUBE ONLY	retube 2' LED	3,640	0.2	0.1	0.0	601	491	109
2,888.0	Wayne Hills hs	Storage Storage Cheerleading	1	1L4' T8 28w/ELEE HI	wrap	1	1	1L4' LED 13w/ELEE HI/RETUBE ONLY	retube 4' LED	350	0.0	0.0	0.0	12	8	4
2,889.0	Wayne Hills hs	Storage Storage B	1	1L4' T8 28w/ELEE HI	wrap	1	1	1L4' LED 13w/ELEE HI/RETUBE ONLY	retube 4' LED	350	0.0	0.0	0.0	12	8	4
2,890.0	Wayne Hills hs	Storage Storage C	1	1L4' T8 28w/ELEE HI	wrap	1	1	1L4' LED 13w/ELEE HI/RETUBE ONLY	retube 4' LED	350	0.0	0.0	0.0	12	8	4
2,891.0	Wayne Hills hs	Storage Storage D	1	1L4' T8 28w/ELEE HI	wrap	1	1	1L4' LED 13w/ELEE HI/RETUBE ONLY	retube 4' LED	350	0.0	0.0	0.0	12	8	4
2,892.0	Wayne Hills hs	Locker Locker Shower Area	1	2L4' T8 28w/ELEE LO	vapor tight	8	8	2L4' LED 13w/ELEE LO/RETUBE ONLY	retube 4' LED	3,640	0.3	0.2	0.1	1,223	815	408
2,893.0	Wayne Hills hs	Locker Locker 149 Girls	1	2L4' T8 28w/ELEE LO	trof acr 1' wide	20	20	2L4' LED 13w/ELEE LO/RETUBE ONLY	retube 4' LED	3,640	0.8	0.6	0.3	3,058	2,038	1,019
2,894.0	Wayne Hills hs	Bath Bath Girls	1	1L4' T8 28w/ELEE HI	wrap	2	2	1L4' LED 13w/ELEE HI/RETUBE ONLY	retube 4' LED	2,548	0.1	0.0	0.0	168	110	59
2,895.0	Wayne Hills hs	Storage Storage E	1	2L2' T8 15w/EL LO	wrap	1	1	2L2' LED 7w/ELEE LO/RETUBE ONLY	retube 2' LED	350	0.0	0.0	0.0	8	6	2
2,896.0	Wayne Hills hs	Office Office Coach	1	2L4' T8 28w/ELEE HI	trof acr	4	4	2L4' LED 13w/ELEE HI/RETUBE ONLY	retube 4' LED	1,988	0.3	0.2	0.1	509	342	167
2,897.0	Wayne Hills hs	Bath Bath Coach	1	11 WATT LED	can rec vert	1		NO RETRO	no change already LED	2,548	0.0	0.0		28	28	
2,898.0	Wayne Hills hs	Bath Bath Coach	1	2L2' T8 15w/EL LO	vanity	1	1	2L2' LED 7w/ELEE LO/RETUBE ONLY	retube 2' LED	2,548	0.0	0.0	0.0	61	43	18
2,899.0	Wayne Hills hs	Hall Hall By East 6	1	2L4' T8 28w/ELEE	trof acr	3	3	2L4' LED 13w/ELEE/RETUBE ONLY	retube 4' LED	2,548	0.1	0.1	0.0	367	245	122
2,900.0	Wayne Hills hs	Gym Gym Girls	1	138 WATT LED	box acrylic	56		NO RETRO	no change already LED	2,408	7.7	7.7		18,609	18,609	
2,901.0	Wayne Hills hs	Storage Storage Volley Balls	1	2L4' T8 28w/ELEE HI-8'	wrap	2	2	2L4' LED 13w/ELEE HI/RETUBE ONLY	retube 4' LED	350	0.1	0.1	0.0	45	30	15
2,902.0	Wayne Hills hs	Hall Hall 145 Boys	1	2L2' T8 15w/EL	trof acr	4	4	2L2' LED 7w/ELEE/RETUBE ONLY	retube 2' LED	2,548	0.1	0.1	0.0	285	194	92
2,903.0	Wayne Hills hs	Storage Storage Cooler	1	1L4' T8 28w/ELEE HI	wrap	1	1	1L4' LED 13w/ELEE HI/RETUBE ONLY	retube 4' LED	350	0.0	0.0	0.0	12	8	4
2,904.0	Wayne Hills hs	Storage Storage Fencing	1	1L4' T8 28w/ELEE HI	wrap	1	1	1L4' LED 13w/ELEE HI/RETUBE ONLY	retube 4' LED	350	0.0	0.0	0.0	12	8	4
2,905.0	Wayne Hills hs	Storage Storage Foot Pylons	1	1L4' T8 28w/ELEE HI	wrap	1	1	1L4' LED 13w/ELEE HI/RETUBE ONLY	retube 4' LED	350	0.0	0.0	0.0	12	8	4
2,906.0	Wayne Hills hs	Storage Storage Uniforms	1	1L4' T8 28w/ELEE HI	wrap	1	1	1L4' LED 13w/ELEE HI/RETUBE ONLY	retube 4' LED	350	0.0	0.0	0.0	12	8	4
2,907.0	Wayne Hills hs	Locker Locker 145 Boys	1	2L4' T8 28w/ELEE HI	trof acr	16	16	2L4' LED 13w/ELEE HI/RETUBE ONLY	retube 4' LED	2,548	1.0	0.7	0.3	2,609	1,753	856
2,908.0	Wayne Hills hs	Locker Locker 145 Boys	1	2L4' T8 28w/ELEE LO	trof acr 1' wide	3	3	2L4' LED 13w/ELEE LO/RETUBE ONLY	retube 4' LED	2,548	0.1	0.1	0.0	321	214	107
2,909.0	Wayne Hills hs	Locker Locker 145 Boys	1	2L2' T8 15w/EL	trof acr	2	2	2L2' LED 7w/ELEE HI/RETUBE ONLY	retube 2' LED	2,548	0.1	0.1	0.0	168	138	31
2,910.0	Wayne Hills hs	Locker Locker Shower Area	1	2L4' T8 28w/ELEE LO	vapor tight	8	8	2L4' LED 13w/ELEE LO/RETUBE ONLY	retube 4' LED	3,640	0.3	0.2	0.1	1,223	815	408

Line	Building Name	Location	FI	Pre Fixture Description	Pre Fixture Style	Pre Qty	Pre Qty In Scope	Post Fixture Description	Post Fixture Style	Annual Hours	Pre kW	Post kW	kW Saved Coin.	Pre kWh	Post kWh	kWh Saved
2,911.0	Wayne Hills hs	Office Office Coach	1	2L4' T8 28w/ELEE HI	trof acr	4	4	2L4' LED 13w/ELEE HI/RETUBE ONLY	retube 4' LED	1,988	0.3	0.2	0.1	509	342	167
2,912.0	Wayne Hills hs	Bath Bath Coach	1	23W CF HARDWIRED/EL	can rec vert 6"	1		NO RETRO	no change	2,548	0.0	0.0		64	64	
2,913.0	Wayne Hills hs	Bath Bath Coach	1	2L2' T8 15w/EL LO	vanity	1	1	2L2' LED 7w/ELEE LO/RETUBE ONLY	retube 2' LED	2,548	0.0	0.0	0.0	61	43	18
2,914.0	Wayne Hills hs	Closet Closet Clean	1	23W CF HARDWIRED/EL	keyless	1		NO RETRO	no change	350	0.0	0.0		9	9	
2,915.0	Wayne Hills hs	Locker Locker Toilet	1	2L4' T8 28w/ELEE HI	wrap	1	1	2L4' LED 13w/ELEE HI/RETUBE ONLY	retube 4' LED	2,548	0.1	0.0	0.0	163	110	54
2,916.0	Wayne Hills hs	Locker Locker Hall	1	2L2' T8 15w/EL	trof acr	2	2	2L2' LED 7w/ELEE HI/RETUBE ONLY	retube 2' LED	2,548	0.1	0.1	0.0	168	138	31
2,917.0	Wayne Hills hs	Hall Hall By Stair East 8	1	2L4' T8 28w/ELEE	trof acr	3	3	2L4' LED 13w/ELEE/RETUBE ONLY	retube 4' LED	2,548	0.1	0.1	0.0	367	245	122
2,918.0	Wayne Hills hs	Locker Locker 147	1	4L4' T8 28w/ELEE LO-8'	trof acr 1' wide	2	2	4L4' LED 13w/ELEE LO/RETUBE ONLY	retube 4' LED	3,640	0.2	0.1	0.1	604	408	197
2,919.0	Wayne Hills hs	Locker Locker 147	1	2L4' T8 28w/ELEE LO	trof acr 1' wide	6	6	2L4' LED 13w/ELEE LO/RETUBE ONLY	retube 4' LED	3,640	0.3	0.2	0.1	917	612	306
2,920.0	Wayne Hills hs	Locker Locker 147	1	2L4' T8 28w/ELEE LO	vapor tight	3	3	2L4' LED 13w/ELEE LO/RETUBE ONLY	retube 4' LED	3,640	0.1	0.1	0.0	459	306	153
2,921.0	Wayne Hills hs	Office Office Coach	1	2L4' T8 28w/ELEE HI	trof acr	4	4	2L4' LED 13w/ELEE HI/RETUBE ONLY	retube 4' LED	1,988	0.3	0.2	0.1	509	342	167
2,922.0	Wayne Hills hs	Bath Bath Boys	1	2L4' T8 28w/ELEE HI-8'	wrap	2	2	2L4' LED 13w/ELEE HI/RETUBE ONLY	retube 4' LED	2,548	0.1	0.1	0.0	326	219	107
2,923.0	Wayne Hills hs	Bath Bath Boys	1	1L4' T8 28w/ELEE HI	wrap	1	1	1L4' LED 13w/ELEE HI/RETUBE ONLY	retube 4' LED	2,548	0.0	0.0	0.0	84	55	29
2,924.0	Wayne Hills hs	Bath Bath Girls	1	2L4' T8 28w/ELEE HI-8'	wrap	2	2	2L4' LED 13w/ELEE HI/RETUBE ONLY	retube 4' LED	2,548	0.1	0.1	0.0	326	219	107
2,925.0	Wayne Hills hs	Bath Bath Girls	1	1L4' T8 28w/ELEE HI	wrap	1	1	1L4' LED 13w/ELEE HI/RETUBE ONLY	retube 4' LED	2,548	0.0	0.0	0.0	84	55	29
2,926.0	Wayne Hills hs	Classroom Classroom 144	1	2L4' T8 28w/ELEE	trof acr	4	4	2L4' LED 13w/ELEE/RETUBE ONLY	retube 4' LED	1,988	0.2	0.1	0.1	382	254	127
2,927.0	Wayne Hills hs	Classroom Classroom 144	1	2L4' T8 28w/ELEE	trof acr	16	16	2L4' LED 13w/ELEE/RETUBE ONLY	retube 4' LED	1,988	0.8	0.5	0.2	1,527	1,018	509
2,928.0	Wayne Hills hs	Classroom Classroom 142	1	2L4' T8 28w/ELEE	trof acr	6	6	2L4' LED 13w/ELEE/RETUBE ONLY	retube 4' LED	1,988	0.3	0.2	0.1	573	382	191
2,929.0	Wayne Hills hs	Storage Storage 142	1	3L4' T8 28w/ELEE LO	trof acr	1	1	3L4' LED 13w/ELEE LO/RETUBE ONLY	retube 4' LED	350	0.1	0.0	0.0	22	15	7
2,930.0	Wayne Hills hs	Classroom Classroom 141	1	2L4' T8 28w/ELEE	trof acr	4	4	2L4' LED 13w/ELEE/RETUBE ONLY	retube 4' LED	1,988	0.2	0.1	0.1	382	254	127
2,931.0	Wayne Hills hs	Classroom Classroom 141	1	2L4' T8 28w/ELEE	trof acr	13	13	2L4' LED 13w/ELEE/RETUBE ONLY	retube 4' LED	1,988	0.6	0.4	0.2	1,241	827	414
2,932.0	Wayne Hills hs	Storage Storage Tennis Balls	1	3L4' T8 28w/ELEE LO	trof acr	1	1	3L4' LED 13w/ELEE LO/RETUBE ONLY	retube 4' LED	350	0.1	0.0	0.0	22	15	7
2,933.0	Wayne Hills hs	Office Office 141	1	2L4' T8 28w/ELEE HI	trof acr	2	2	2L4' LED 13w/ELEE HI/RETUBE ONLY	retube 4' LED	1,988	0.1	0.1	0.0	254	171	83
2,934.0	Wayne Hills hs	Storage Storage 141 Books	1	3L4' T8 28w/ELEE LO	trof acr	1	1	3L4' LED 13w/ELEE LO/RETUBE ONLY	retube 4' LED	350	0.1	0.0	0.0	22	15	7
2,935.0	Wayne Hills hs	Storage Storage 139	1	3L4' T8 28w/ELEE LO	trof acr	6	6	3L4' LED 13w/ELEE LO/RETUBE ONLY	retube 4' LED	350	0.4	0.3	0.1	132	88	44
2,936.0	Wayne Hills hs	Classroom Classroom 137	1	2L4' T8 28w/ELEE	trof acr	15	15	2L4' LED 13w/ELEE/RETUBE ONLY	retube 4' LED	1,988	0.7	0.5	0.2	1,431	954	477
2,937.0	Wayne Hills hs	Bath Bath 137 T	1	2L4' T8 28w/ELEE LO	trof acr	1	1	2L4' LED 13w/ELEE LO/RETUBE ONLY	retube 4' LED	2,548	0.0	0.0	0.0	107	71	36
2,938.0	Wayne Hills hs	Storage Storage 137	1	3L4' T8 28w/ELEE LO	trof acr	2	2	3L4' LED 13w/ELEE LO/RETUBE ONLY	retube 4' LED	350	0.1	0.1	0.0	44	29	15
2,939.0	Wayne Hills hs	Storage Storage Air Handler	1	4L4' T8 28w/ELEE LO-8'	strip	1	1	4L4' LED 13w/ELEE LO/RETUBE ONLY	retube 4' LED	350	0.1	0.1	0.0	29	20	9
2,940.0	Wayne Hills hs	Classroom Classroom 140	1	2L4' T8 28w/ELEE	trof acr	20	20	2L4' LED 13w/ELEE/RETUBE ONLY	retube 4' LED	2,840	1.0	0.6	0.3	2,726	1,818	909
2,941.0	Wayne Hills hs	Classroom Classroom 138	1	2L4' T8 28w/ELEE	trof para dbl switch	6	6	2L4' LED 13w/ELEE/RETUBE ONLY	retube 4' LED	1,988	0.3	0.2	0.1	573	382	191
2,942.0	Wayne Hills hs	Hall Hall Guidance	1	2L2' T8 15w/EL	trof acr	9	9	2L2' LED 7w/ELEE/RETUBE ONLY	retube 2' LED	2,548	0.3	0.2	0.1	642	436	206
2,943.0	Wayne Hills hs	Office Office 136 Ao	1	2L4' T8 28w/ELEE HI	trof para dbl switch	2	2	2L4' LED 13w/ELEE HI/RETUBE ONLY	retube 4' LED	1,988	0.1	0.1	0.0	254	171	83
2,944.0	Wayne Hills hs	Hall Hall 152 To 130	1	2L2' T8 15w/EL	trof acr	45	45	2L2' LED 7w/ELEE/RETUBE ONLY	retube 2' LED	3,640	1.3	0.9	0.4	4,586	3,112	1,474
2,945.0	Wayne Hills hs	Hall Hall Display Case	1	1L4' T8 28w/ELEE HI	wrap	8	8	1L4' LED 13w/ELEE HI/RETUBE ONLY	retube 4' LED	3,640	0.3	0.2	0.1	961	626	335
2,946.0	Wayne Hills hs	Office Office 136 Bo	1	2L4' T8 28w/ELEE HI	trof para dbl switch	4	4	2L4' LED 13w/ELEE HI/RETUBE ONLY	retube 4' LED	1,988	0.3	0.2	0.1	509	342	167
2,947.0	Wayne Hills hs	Office Office Counselor	1	2L4' T8 28w/ELEE HI	trof acr	6	6	2L4' LED 13w/ELEE HI/RETUBE ONLY	retube 4' LED	1,988	0.4	0.3	0.1	763	513	250
2,948.0	Wayne Hills hs	Office Office Mann	1	2L4' T8 28w/ELEE HI	trof acr	4	4	2L4' LED 13w/ELEE HI/RETUBE ONLY	retube 4' LED	1,988	0.3	0.2	0.1	509	342	167
2,949.0	Wayne Hills hs	Office Office Chiller	1	2L4' T8 28w/ELEE HI	trof acr	4	4	2L4' LED 13w/ELEE HI/RETUBE ONLY	retube 4' LED	1,988	0.3	0.2	0.1	509	342	167
2,950.0	Wayne Hills hs	Office Office Keogh	1	2L4' T8 28w/ELEE HI	trof acr	4	4	2L4' LED 13w/ELEE HI/RETUBE ONLY	retube 4' LED	1,988	0.3	0.2	0.1	509	342	167
2,951.0	Wayne Hills hs	Office Office Savastano	1	2L4' T8 28w/ELEE HI	trof acr	4	4	2L4' LED 13w/ELEE HI/RETUBE ONLY	retube 4' LED	1,988	0.3	0.2	0.1	509	342	167
2,952.0	Wayne Hills hs	Office Office Gorkowski	1	2L4' T8 28w/ELEE HI	trof acr	6	6	2L4' LED 13w/ELEE HI/RETUBE ONLY	retube 4' LED	1,988	0.4	0.3	0.1	763	513	250
2,953.0	Wayne Hills hs	Kitchen Kitchen	1	2L4' T8 28w/ELEE HI	trof acr	4	4	2L4' LED 13w/ELEE HI/RETUBE ONLY	retube 4' LED	1,988	0.3	0.2	0.1	509	342	167
2,954.0	Wayne Hills hs	Office Open Office Open Guidance	1	2L4' T8 28w/ELEE HI	trof acr	6	6	2L4' LED 13w/ELEE HI/RETUBE ONLY	retube 4' LED	2,408	0.4	0.3	0.1	925	621	303
2,955.0	Wayne Hills hs	Storage Storage Decorations	1	3L4' T8 28w/ELEE LO	trof acr	1	1	3L4' LED 13w/ELEE LO/RETUBE ONLY	retube 4' LED	350	0.1	0.0	0.0	22	15	7
2,956.0	Wayne Hills hs	Bath Bath 133 Wt	1	1L4' T8 28w/ELEE HI	wrap	1	1	1L4' LED 13w/ELEE HI/RETUBE ONLY	retube 4' LED	2,548	0.0	0.0	0.0	84	55	29
2,957.0	Wayne Hills hs	Bath Bath 133 Wt	1	2L4' T8 28w/ELEE HI-8'	wrap	1	1	2L4' LED 13w/ELEE HI/RETUBE ONLY	retube 4' LED	2,548	0.1	0.0	0.0	163	110	54
2,958.0	Wayne Hills hs	Bath Bath 133 Wt	1	2L2' T8 15w/EL LO	vanity	1	1	2L2' LED 7w/ELEE LO/RETUBE ONLY	retube 2' LED	2,548	0.0	0.0	0.0	61	43	18
2,959.0	Wayne Hills hs	Bath Bath 133 Mt	1	1L4' T8 28w/ELEE HI	wrap	1	1	1L4' LED 13w/ELEE HI/RETUBE ONLY	retube 4' LED	2,548	0.0	0.0	0.0	84	55	29
2,960.0	Wayne Hills hs	Bath Bath 133 Mt	1	2L4' T8 28w/ELEE HI-8'	wrap	1	1	2L4' LED 13w/ELEE HI/RETUBE ONLY	retube 4' LED	2,548	0.1	0.0	0.0	163	110	54
2,961.0	Wayne Hills hs	Bath Bath 133 Mt	1	2L2' T8 15w/EL LO	vanity	1	1	2L2' LED 7w/ELEE LO/RETUBE ONLY	retube 2' LED	2,548	0.0	0.0	0.0	61	43	18



Wayne NJ

Phase 2 Lighting Scope of Work

Line	Building Name	Location	FI	Pre Fixture Description	Pre Fixture Style	Pre Qty	Pre Qty In Scope	Post Fixture Description	Post Fixture Style	Annual Hours	Pre kW	Post kW	kW Saved Coin.	Pre kWh	Post kWh	kWh Saved
2,962.0	Wayne Hills hs	Hall Hall Stair West 4 To West 3	1	2L2' T8 15w/EL	trof acr	3	3	2L2' LED 7w/ELEE/RETUBE ONLY	retube 2' LED	1,820	0.1	0.1	0.0	153	104	49
2,963.0	Wayne Hills hs	Hall Hall Stair West 4 To West 3	1	13W CF HARDWIRED	can rec hor 6"	2		NO RETRO	no change	3,640	0.0	0.0		109	109	
2,964.0	Wayne Hills hs	Classroom Classroom 134	1	2L4' T8 28w/ELEE	trof acr	21	21	2L4' LED 13w/ELEE/RETUBE ONLY	retube 4' LED	1,988	1.0	0.7	0.3	2,004	1,336	668
2,965.0	Wayne Hills hs	Classroom Classroom 134	1	2L4' T8 28w/ELEE	trof acr	7	7	2L4' LED 13w/ELEE/RETUBE ONLY	retube 4' LED	1,988	0.3	0.2	0.1	668	445	223
2,966.0	Wayne Hills hs	Bath Bath 133Gt	1	2L2' T8 15w/EL	box acrylic	5	5	2L2' LED 7w/ELEE HI/RETUBE ONLY	retube 2' LED	2,548	0.2	0.1	0.0	420	344	76
2,967.0	Wayne Hills hs	Closet Closet Clean	1	1L4' T8 28w/ELEE HI	wrap	1	1	1L4' LED 13w/ELEE HI/RETUBE ONLY	retube 4' LED	350	0.0	0.0	0.0	12	8	4
2,968.0	Wayne Hills hs	Bath Bath 133Bt	1	1L4' T8 28w/ELEE HI	wrap	6	6	1L4' LED 13w/ELEE HI/RETUBE ONLY	retube 4' LED	2,548	0.2	0.1	0.1	505	329	176
2,969.0	Wayne Hills hs	Classroom Classroom 130	1	2L4' T8 28w/ELEE	trof acr	3	3	2L4' LED 13w/ELEE/RETUBE ONLY	retube 4' LED	1,988	0.1	0.1	0.0	286	191	95
2,970.0	Wayne Hills hs	Classroom Classroom 130	1	2L4' T8 28w/ELEE	trof acr	1	1	2L4' LED 13w/ELEE/RETUBE ONLY	retube 4' LED	1,988	0.0	0.0	0.0	95	64	32
2,971.0	Wayne Hills hs	Classroom Classroom 130	1	2L4' T8 28w/ELEE	trof acr	9	9	2L4' LED 13w/ELEE/RETUBE ONLY	retube 4' LED	1,988	0.4	0.3	0.1	859	573	286
2,972.0	Wayne Hills hs	Classroom Classroom 130	1	2L4' T8 28w/ELEE	trof acr	3	3	2L4' LED 13w/ELEE/RETUBE ONLY	retube 4' LED	1,988	0.1	0.1	0.0	286	191	95
2,973.0	Wayne Hills hs	Kitchen Kitchen 131 Prep Area	1	2L4' T8 28w/ELEE HI	trof acr	13	13	2L4' LED 13w/ELEE HI/RETUBE ONLY	retube 4' LED	2,840	0.8	0.6	0.3	2,363	1,588	775
2,974.0	Wayne Hills hs	Kitchen Kitchen Grease Hood	1	2L2' T8 15w/EL LO	wrap	1	1	2L2' LED 7w/ELEE LO/RETUBE ONLY	retube 2' LED	2,840	0.0	0.0	0.0	77	48	28
2,975.0	Wayne Hills hs	Cafeteria Cafeteria Seating Area	1	2L4' T8 28w/ELEE HI	trof acr	12	12	2L4' LED 13w/ELEE HI/RETUBE ONLY	retube 4' LED	2,408	0.8	0.5	0.2	1,849	1,243	607
2,976.0	Wayne Hills hs	Cafeteria Cafeteria Seating Area	1	2L4' T8 28w/ELEE HI	trof acr	12	12	2L4' LED 13w/ELEE HI/RETUBE ONLY	retube 4' LED	2,408	0.8	0.5	0.2	1,849	1,243	607
2,977.0	Wayne Hills hs	Cafeteria Cafeteria Seating Area	1	2L4' T8 28w/ELEE HI	trof acr	12	12	2L4' LED 13w/ELEE HI/RETUBE ONLY	retube 4' LED	2,408	0.8	0.5	0.2	1,849	1,243	607
2,978.0	Wayne Hills hs	Cafeteria Cafeteria Seating Area	1	2L4' T8 28w/ELEE HI	trof acr	12	12	2L4' LED 13w/ELEE HI/RETUBE ONLY	retube 4' LED	2,408	0.8	0.5	0.2	1,849	1,243	607
2,989.0	Preakness LCC	Stair Stair By Classroom 2	s	2L4' T8 28w/ELEE	trof acr	5	5	2L4' LED 13w/ELEE/RETUBE ONLY	retube 4' LED	3,620	0.2	0.2	0.1	869	579	290
2,990.0	Preakness LCC	Hall Hall 2Nd Floor	2	2L4' T8 28w/ELEE	trof acr	6	6	2L4' LED 13w/ELEE/RETUBE ONLY	retube 4' LED	3,620	0.3	0.2	0.1	1,043	695	348
2,991.0	Preakness LCC	Closet Closet Clean	2	23W CF HARDWIRED/EL	keyless	1		NO RETRO	no change	500	0.0	0.0		13	13	
2,992.0	Preakness LCC	Bath Bath Men	2	2L4' T8 28w/ELEE HI	trof acr	2	2	2L4' LED 13w/ELEE HI/RETUBE ONLY	retube 4' LED	2,324	0.1	0.1	0.0	297	200	98
2,993.0	Preakness LCC	Classroom Classroom 4	2	2L4' T8 28w/ELEE HI	trof acr	5	5	2L4' LED 13w/ELEE HI/RETUBE ONLY	retube 4' LED	1,764	0.3	0.2	0.1	564	379	185
2,994.0	Preakness LCC	Classroom Classroom 4	2	2L4' T8 28w/ELEE HI	trof acr	6	6	2L4' LED 13w/ELEE HI/RETUBE ONLY	retube 4' LED	1,764	0.4	0.3	0.1	677	455	222
2,995.0	Preakness LCC	Classroom Classroom 2	2	2L4' T8 28w/ELEE HI	trof acr	4	4	2L4' LED 13w/ELEE HI/RETUBE ONLY	retube 4' LED	1,764	0.3	0.2	0.1	452	303	148
2,996.0	Preakness LCC	Classroom Classroom 2	2	2L4' T8 28w/ELEE HI	trof acr	5	5	2L4' LED 13w/ELEE HI/RETUBE ONLY	retube 4' LED	1,764	0.3	0.2	0.1	564	379	185
2,997.0	Preakness LCC	Classroom Classroom 3	2	2L4' T8 28w/ELEE HI	trof acr	5	5	2L4' LED 13w/ELEE HI/RETUBE ONLY	retube 4' LED	1,764	0.3	0.2	0.1	564	379	185
2,998.0	Preakness LCC	Classroom Classroom 3	2	2L4' T8 28w/ELEE HI	trof acr	6	6	2L4' LED 13w/ELEE HI/RETUBE ONLY	retube 4' LED	1,764	0.4	0.3	0.1	677	455	222
2,999.0	Preakness LCC	Closet Closet 3	2	3L4' T8 28w/ELEE LO	trof acr	1	1	3L4' LED 13w/ELEE LO/RETUBE ONLY	retube 4' LED	350	0.1	0.0	0.0	22	15	7
3,000.0	Preakness LCC	Classroom Classroom 1	2	2L4' T8 28w/ELEE HI	trof acr	4	4	2L4' LED 13w/ELEE HI/RETUBE ONLY	retube 4' LED	1,764	0.3	0.2	0.1	452	303	148
3,001.0	Preakness LCC	Classroom Classroom 1	2	2L4' T8 28w/ELEE HI	trof acr	4	4	2L4' LED 13w/ELEE HI/RETUBE ONLY	retube 4' LED	1,764	0.3	0.2	0.1	452	303	148
3,002.0	Preakness LCC	Hall Hall Main Office	2	2L4' T8 28w/ELEE HI	wrap	1	1	2L4' LED 13w/ELEE HI/RETUBE ONLY	retube 4' LED	2,534	0.1	0.0	0.0	162	109	53
3,003.0	Preakness LCC	Hall Hall Main Office	2	1L4' T8 28w/ELEE HI	wrap	1	1	1L4' LED 13w/ELEE HI/RETUBE ONLY	retube 4' LED	2,534	0.0	0.0	0.0	84	54	29
3,004.0	Preakness LCC	Office Office Old Projection Room	2	2L2' T8 15w/EL LO	wrap	1	1	2L2' LED 7w/ELEE LO/RETUBE ONLY	retube 2' LED	1,624	0.0	0.0	0.0	39	28	11
3,005.0	Preakness LCC	Office Office Main	2	2L2' T8 15w/EL	box acrylic	1	1	2L2' LED 7w/ELEE HI/RETUBE ONLY	retube 2' LED	1,624	0.0	0.0	0.0	54	44	10
3,006.0	Preakness LCC	Closet Closet By Main Office	2	23W CF SCREW IN	jar	1		NO RETRO	no change	350	0.0	0.0		9	9	
3,007.0	Preakness LCC	Bath Bath Women	2	2L4' T8 28w/ELEE HI	trof acr	3	3	2L4' LED 13w/ELEE HI/RETUBE ONLY	retube 4' LED	2,324	0.2	0.1	0.1	446	300	146
3,008.0	Preakness LCC	Closet Closet Clean	2	11W CF SCREW IN	exhaust fan light	1		NO RETRO	no change	500	0.0	0.0		7	7	
3,009.0	Preakness LCC	Stair Stair	s	2L4' T8 28w/ELEE	trof acr	5	5	2L4' LED 13w/ELEE/RETUBE ONLY	retube 4' LED	3,620	0.2	0.2	0.1	869	579	290
3,010.0	Preakness LCC	Hall Hall 11 To 12	1	2L4' T8 28w/ELEE	trof acr	6	6	2L4' LED 13w/ELEE/RETUBE ONLY	retube 4' LED	3,620	0.3	0.2	0.1	1,043	695	348
3,011.0	Preakness LCC	Closet Closet Clean	1	2L2' T8 15w/EL LO	wrap	1	1	2L2' LED 7w/ELEE LO/RETUBE ONLY	retube 2' LED	350	0.0	0.0	0.0	8	6	2
3,012.0	Preakness LCC	Bath Bath Women	1	2L4' T8 28w/ELEE HI	trof acr	3	3	2L4' LED 13w/ELEE HI/RETUBE ONLY	retube 4' LED	2,324	0.2	0.1	0.1	446	300	146
3,013.0	Preakness LCC	Classroom Classroom 3	1	2L4' T8 28w/ELEE HI	trof acr	6	6	2L4' LED 13w/ELEE HI/RETUBE ONLY	retube 4' LED	1,764	0.4	0.3	0.1	677	455	222
3,014.0	Preakness LCC	Classroom Classroom 3	1	2L4' T8 28w/ELEE HI	trof acr	4	4	2L4' LED 13w/ELEE HI/RETUBE ONLY	retube 4' LED	1,764	0.3	0.2	0.1	452	303	148
3,015.0	Preakness LCC	Classroom Classroom 1	1	2L4' T8 28w/ELEE HI	trof acr	4	4	2L4' LED 13w/ELEE HI/RETUBE ONLY	retube 4' LED	1,764	0.3	0.2	0.1	452	303	148
3,016.0	Preakness LCC	Classroom Classroom 1	1	2L4' T8 28w/ELEE HI	trof acr	6	6	2L4' LED 13w/ELEE HI/RETUBE ONLY	retube 4' LED	1,764	0.4	0.3	0.1	677	455	222
3,017.0	Preakness LCC	Closet Closet 1	1	23W CF SCREW IN	keyless	1		NO RETRO	no change	500	0.0	0.0		13	13	
3,018.0	Preakness LCC	Storage Storage Server	1	3L4' T8 28w/ELEE LO	trof acr	1	1	3L4' LED 13w/ELEE LO/RETUBE ONLY	retube 4' LED	350	0.1	0.0	0.0	22	15	7
3,019.0	Preakness LCC	Office Office 1	1	2L4' T8 28w/ELEE HI	trof acr	2	2	2L4' LED 13w/ELEE HI/RETUBE ONLY	retube 4' LED	1,624	0.1	0.1	0.0	208	140	68
3,020.0	Preakness LCC	Classroom Classroom 4	1	2L4' T8 28w/ELEE HI-8'	wrap	6	6	2L4' LED 13w/ELEE HI/RETUBE ONLY	retube 4' LED	1,764	0.4	0.3	0.1	677	455	222
3,021.0	Preakness LCC	Classroom Classroom 4	1	1L4' T8 28w/ELEE HI	wrap	3	3	1L4' LED 13w/ELEE HI/RETUBE ONLY	retube 4' LED	1,764	0.1	0.1	0.0	175	114	61
3,022.0	Preakness LCC	Classroom Classroom 4	1	2L4' T8 28w/ELEE HI-8'	wrap	3	3	2L4' LED 13w/ELEE HI/RETUBE ONLY	retube 4' LED	1,764	0.2	0.1	0.1	339	228	111



Line	Building Name	Location	FI	Pre Fixture Description	Pre Fixture Style	Pre Qty	Pre Qty In Scope	Post Fixture Description	Post Fixture Style	Annual Hours	Pre kW	Post kW	kW Saved Coin.	Pre kWh	Post kWh	kWh Saved
3,023.0	Preakness LCC	Classroom Classroom 4	1	1L4' T8 28w/ELEE HI	wrap	1	1	1L4' LED 13w/ELEE HI/RETUBE ONLY	retube 4' LED	1,764	0.0	0.0	0.0	58	38	20
3,024.0	Preakness LCC	Classroom Classroom 2	1	2L4' T8 28w/ELEE HI-8'	wrap	9	9	2L4' LED 13w/ELEE HI/RETUBE ONLY	retube 4' LED	1,764	0.6	0.4	0.2	1,016	683	333
3,025.0	Preakness LCC	Classroom Classroom 2	1	1L4' T8 28w/ELEE HI	wrap	3	3	1L4' LED 13w/ELEE HI/RETUBE ONLY	retube 4' LED	1,764	0.1	0.1	0.0	175	114	61
3,026.0	Preakness LCC	Bath Bath Boys	1	2L4' T8 28w/ELEE HI	trof acr	3	3	2L4' LED 13w/ELEE HI/RETUBE ONLY	retube 4' LED	2,324	0.2	0.1	0.1	446	300	146
3,027.0	Preakness LCC	Closet Closet Clean	1	23W CF SCREW IN	keyless	1		NO RETRO	no change	350	0.0	0.0		9	9	
3,028.0	Preakness LCC	Stair Stair To Main Lobby	s	2L4' T8 28w/ELEE LO	trof acr	1	1	2L4' LED 13w/ELEE LO/RETUBE ONLY	retube 4' LED	3,620	0.0	0.0	0.0	152	101	51
3,029.0	Preakness LCC	Lobby Lobby Main	1	1L4' T8 28w/ELEE HI	wrap	2	2	1L4' LED 13w/ELEE HI/RETUBE ONLY	retube 4' LED	3,620	0.1	0.0	0.0	239	156	83
3,030.0	Preakness LCC	Hall Hall Health Services	1	1L4' T8 28w/ELEE HI	wrap	6	6	1L4' LED 13w/ELEE HI/RETUBE ONLY	retube 4' LED	3,620	0.2	0.1	0.1	717	467	250
3,031.0	Preakness LCC	Closet Closet Clean	1	1L4' T8 28w/ELEE HI	wrap	1	1	1L4' LED 13w/ELEE HI/RETUBE ONLY	retube 4' LED	350	0.0	0.0	0.0	12	8	4
3,032.0	Preakness LCC	Office Office Health	1	2L4' T8 28w/ELEE HI	trof acr	5	5	2L4' LED 13w/ELEE HI/RETUBE ONLY	retube 4' LED	2,320	0.3	0.2	0.1	742	499	244
3,033.0	Preakness LCC	Office Open Office Open Copy	1	2L2' T8 15w/EL LO	wrap	1	1	2L2' LED 7w/ELEE LO/RETUBE ONLY	retube 2' LED	2,720	0.0	0.0	0.0	65	46	19
3,034.0	Preakness LCC	Office Office 7	1	2L4' T8 28w/ELEE HI	trof acr	3	3	2L4' LED 13w/ELEE HI/RETUBE ONLY	retube 4' LED	1,624	0.2	0.1	0.1	312	209	102
3,035.0	Preakness LCC	Office Office 7	1	1L2' T8 15w/EL LO	vanity	1	1	1L2' LED 7w/ELEE LO/RETUBE ONLY	retube 2' LED	2,320	0.0	0.0	0.0	32	20	13
3,036.0	Preakness LCC	Bath Bath 7	1	1L2' T8 15w/EL LO	wrap	1	1	1L2' LED 7w/ELEE LO/RETUBE ONLY	retube 2' LED	2,324	0.0	0.0	0.0	33	20	13
3,037.0	Preakness LCC	Office Open Office Open Sub Recruitment Room 9	1	2L4' T8 28w/ELEE HI	trof acr	19	19	2L4' LED 13w/ELEE HI/RETUBE ONLY	retube 4' LED	1,904	1.2	0.8	0.3	2,315	1,556	760
3,038.0	Preakness LCC	Bath Bath Sub Recruitment Room 9	1	1L4' T8 28w/ELEE HI	wrap	1	1	1L4' LED 13w/ELEE HI/RETUBE ONLY	retube 4' LED	2,324	0.0	0.0	0.0	77	50	27
3,039.0	Preakness LCC	Classroom Classroom 11	1	2L4' T8 28w/ELEE HI	trof acr	11	11	2L4' LED 13w/ELEE HI/RETUBE ONLY	retube 4' LED	1,764	0.7	0.5	0.2	1,242	834	407
3,040.0	Preakness LCC	Bath Bath 11	1	11W CF SCREW IN	square surface mt.	1		NO RETRO	no change	2,324	0.0	0.0		30	30	
3,041.0	Preakness LCC	Classroom Classroom 13	1	2L4' T8 28w/ELEE HI	trof acr	14	14	2L4' LED 13w/ELEE HI/RETUBE ONLY	retube 4' LED	2,520	0.9	0.6	0.3	2,258	1,517	741
3,042.0	Preakness LCC	Classroom Classroom 12	1	2L4' T8 28w/ELEE HI	trof acr	12	12	2L4' LED 13w/ELEE HI/RETUBE ONLY	retube 4' LED	1,764	0.8	0.5	0.2	1,355	910	445
3,043.0	Preakness LCC	Office Open Office Open 10	1	2L4' T8 28w/ELEE HI	trof acr	8	8	2L4' LED 13w/ELEE HI/RETUBE ONLY	retube 4' LED	1,904	0.5	0.3	0.1	975	655	320
3,044.0	Preakness LCC	Storage Storage Supplies	1	2L2' T8 15w/EL	trof acr	2	2	2L2' LED 7w/ELEE/RETUBE ONLY	retube 2' LED	1,484	0.1	0.0	0.0	83	56	27
3,045.0	Preakness LCC	Bath Bath 10	1	2L2' T8 15w/EL LO	vanity	1	1	2L2' LED 7w/ELEE LO/RETUBE ONLY	retube 2' LED	2,324	0.0	0.0	0.0	56	40	16
3,046.0	Preakness LCC	Office Office 10	1	2L4' T8 28w/ELEE HI	trof acr	2	2	2L4' LED 13w/ELEE HI/RETUBE ONLY	retube 4' LED	1,624	0.1	0.1	0.0	208	140	68
3,047.0	Preakness LCC	Conference Conference 10	1	2L4' T8 28w/ELEE HI	trof acr	2	2	2L4' LED 13w/ELEE HI/RETUBE ONLY	retube 4' LED	1,624	0.1	0.1	0.0	208	140	68
3,048.0	Preakness LCC	Office Office Locksmith	1	2L4' T8 28w/ELEE HI	wrap	2	2	2L4' LED 13w/ELEE HI/RETUBE ONLY	retube 4' LED	1,624	0.1	0.1	0.0	208	140	68
3,049.0	Preakness LCC	Bath Bath Locksmith6H	1	2L2' T8 15w/EL LO	vanity	1	1	2L2' LED 7w/ELEE LO/RETUBE ONLY	retube 2' LED	2,324	0.0	0.0	0.0	56	40	16
3,050.0	Preakness LCC	Bath Bath Locksmith6H	1	2L2' T8 15w/EL LO	vanity	1	1	2L2' LED 7w/ELEE LO/RETUBE ONLY	retube 2' LED	2,324	0.0	0.0	0.0	56	40	16
3,051.0	Preakness LCC	Hall Hall Aud	1	2L4' T8 28w/ELEE	trof acr	3	3	2L4' LED 13w/ELEE/RETUBE ONLY	retube 4' LED	3,620	0.1	0.1	0.0	521	348	174
3,052.0	Preakness LCC	Auditorium Auditorium	1	138 WATT LED	box acrylic	10		NO RETRO	no change already LED	1,624	1.4	1.4		2,241	2,241	
3,053.0	Preakness LCC	Stage Stage	1	23W CF SCREW IN	jar	3		NO RETRO	no change	2,320	0.1	0.1		174	174	
3,054.0	Preakness LCC	Storage Storage Stage	1	1L4' T8 28w/ELEE HI	wrap	2	2	1L4' LED 13w/ELEE HI/RETUBE ONLY	retube 4' LED	500	0.1	0.0	0.0	33	22	12
3,055.0	Preakness LCC	Storage Storage Stage	1	1L4' T8 28w/ELEE HI	wrap	2	2	1L4' LED 13w/ELEE HI/RETUBE ONLY	retube 4' LED	500	0.1	0.0	0.0	33	22	12
3,056.0	Preakness LCC	Stair Stair To Basement	s	2L4' T8 28w/ELEE	trof acr	1	1	2L4' LED 13w/ELEE/RETUBE ONLY	retube 4' LED	3,620	0.0	0.0	0.0	174	116	58
3,057.0	Preakness LCC	Hall Hall Basement	b	2L4' T8 28w/ELEE	box acrylic	10	10	2L4' LED 13w/ELEE/RETUBE ONLY	retube 4' LED	3,620	0.5	0.3	0.2	1,738	1,158	579
3,058.0	Preakness LCC	Office Open Office Open Bto	b	2L4' T8 28w/ELEE HI	box acrylic	20	20	2L4' LED 13w/ELEE HI/RETUBE ONLY	retube 4' LED	2,720	1.3	0.9	0.4	3,482	2,339	1,142
3,059.0	Preakness LCC	Mechanical Mechanical Boiler	b	2x13W CF HARDWIRED	drum	1		NO RETRO	no change	350	0.0	0.0		11	11	
3,060.0	Preakness LCC	Mechanical Mechanical Boiler	b	2x13W CF HARDWIRED	drum	1		NO RETRO	no change	350	0.0	0.0		11	11	
3,061.0	Preakness LCC	Mechanical Mechanical Boiler	b	1L4' T8 28w/ELEE HI	wrap	1	1	1L4' LED 13w/ELEE HI/RETUBE ONLY	retube 4' LED	500	0.0	0.0	0.0	17	11	6
3,062.0	Preakness LCC	Mechanical Mechanical Boiler	b	2L4' T8 28w/ELEE HI	trof acr	2	2	2L4' LED 13w/ELEE HI/RETUBE ONLY	retube 4' LED	500	0.1	0.1	0.0	64	43	21
3,063.0	Preakness LCC	Office Open Office Open Custodian	b	2L4' T8 28w/ELEE HI	trof acr	5	5	2L4' LED 13w/ELEE HI/RETUBE ONLY	retube 4' LED	1,904	0.3	0.2	0.1	609	409	200
3,064.0	Preakness LCC	Office Office 1	b	2L4' T8 28w/ELEE HI	trof acr	4	4	2L4' LED 13w/ELEE HI/RETUBE ONLY	retube 4' LED	1,624	0.3	0.2	0.1	416	279	136
3,065.0	Preakness LCC	Office Office Police	b	2L4' T8 28w/ELEE HI	trof acr	12	12	2L4' LED 13w/ELEE HI/RETUBE ONLY	retube 4' LED	1,624	0.8	0.5	0.2	1,247	838	409
3,066.0	Preakness LCC	Library Library	1	11 WATT LED	can rec vert	2		NO RETRO	no change already LED	2,520	0.0	0.0		55	55	
3,067.0	Preakness LCC	Library Library	1	2L4' T8 28w/ELEE HI	trof acr	71	71	2L4' LED 13w/ELEE HI/RETUBE ONLY	retube 4' LED	2,520	4.5	3.1	1.4	11,451	7,694	3,757
3,068.0	Preakness LCC	Bath Bath Boys	1	11W CF SCREW IN	square surface mt.	1		NO RETRO	no change	2,324	0.0	0.0		30	30	
3,069.0	Preakness LCC	Bath Bath Girls	1	11W CF SCREW IN	square surface mt.	1		NO RETRO	no change	2,324	0.0	0.0		30	30	
3,070.0	Preakness LCC	Hall Hall Library	1	1L4' T8 28w/ELEE HI	wrap	7	7	1L4' LED 13w/ELEE HI/RETUBE ONLY	retube 4' LED	3,620	0.2	0.2	0.1	836	545	291
3,071.0	Preakness LCC	Hall Hall Library	1	5 WATT LED	exit sign	1		NO RETRO	no change already LED	8,760	0.0	0.0		44	44	
3,072.0	Preakness LCC	Conference Conference	1	2L4' T8 28w/ELEE HI	trof acr	11	11	2L4' LED 13w/ELEE HI/RETUBE ONLY	retube 4' LED	1,624	0.7	0.5	0.2	1,143	768	375
3,073.0	Preakness LCC	Closet Closet Clean	1	11W CF SCREW IN	square surface mt.	1		NO RETRO	no change	350	0.0	0.0		5	5	



Line	Building Name	Location	FI	Pre Fixture Description	Pre Fixture Style	Pre Qty	Pre Qty In Scope	Post Fixture Description	Post Fixture Style	Annual Hours	Pre kW	Post kW	kW Saved Coin.	Pre kWh	Post kWh	kWh Saved
3,074.0	Preakness LCC	Closet Closet Clean	1	3L4' T8 28w/ELEE LO	trof acr	1	1	3L4' LED 13w/ELEE LO/RETUBE ONLY	retube 4' LED	500	0.1	0.0	0.0	32	21	11
3,075.0	Preakness LCC	Kitchen Kitchen Clean	1	1L2' T8 15w/EL LO	vanity	1	1	1L2' LED 7w/ELEE LO/RETUBE ONLY	retube 2' LED	1,920	0.0	0.0	0.0	27	16	11
3,076.0	Preakness LCC	Bath Bath Unisex	1	1L4' T8 28w/ELEE HI	wrap	1	1	1L4' LED 13w/ELEE HI/RETUBE ONLY	retube 4' LED	2,324	0.0	0.0	0.0	77	50	27
3,077.0	Preakness LCC	Bath Bath Unisex	1	1L2' T8 15w/EL LO	vanity	1	1	1L2' LED 7w/ELEE LO/RETUBE ONLY	retube 2' LED	2,324	0.0	0.0	0.0	33	20	13
3,078.0	Preakness LCC	Closet Closet Clean	1	11W CF SCREW IN	square surface mt.	1		NO RETRO	no change	500	0.0	0.0		7	7	
3,079.0	Preakness LCC	Bath Bath Unisex	1	1L4' T8 28w/ELEE HI	wrap	1	1	1L4' LED 13w/ELEE HI/RETUBE ONLY	retube 4' LED	2,324	0.0	0.0	0.0	77	50	27
3,080.0	Preakness LCC	Bath Bath Unisex	1	1L2' T8 15w/EL LO	vanity	1	1	1L2' LED 7w/ELEE LO/RETUBE ONLY	retube 2' LED	2,324	0.0	0.0	0.0	33	20	13
3,081.0	Preakness LCC	Office Open Office Open Staff	1	2L4' T8 28w/ELEE HI	trof acr	9	9	2L4' LED 13w/ELEE HI/RETUBE ONLY	retube 4' LED	1,904	0.6	0.4	0.2	1,097	737	360
3,082.0	Preakness LCC	Office Office Staff	1	2L4' T8 28w/ELEE HI	trof acr	3	3	2L4' LED 13w/ELEE HI/RETUBE ONLY	retube 4' LED	1,624	0.2	0.1	0.1	312	209	102
3,093.0	Schuyler-Colfax ms	Classroom Classroom Portables 1	1	1L4' T8 28w/ELEE HI	wrap	16	16	1L4' LED 13w/ELEE HI/RETUBE ONLY	retube 4' LED	1,988	0.5	0.3	0.2	1,050	684	366
3,094.0	Schuyler-Colfax ms	Classroom Classroom Portables 2	1	1L4' T8 28w/ELEE HI	wrap	16	16	1L4' LED 13w/ELEE HI/RETUBE ONLY	retube 4' LED	1,988	0.5	0.3	0.2	1,050	684	366
3,095.0	Schuyler-Colfax ms	Cafeteria Cafeteria Seating Area	1	4L4' T8 28w/ELEE HI	wrap	32	32	2L4' LED 13w/ELEE HI/RETUBE ONLY	retube 4' LED	2,408	4.0	2.8	1.1	9,709	6,627	3,082
3,096.0	Schuyler-Colfax ms	Stage Stage	1	4L4' T8 28w/ELEE HI	strip	6	6	2L4' LED 13w/ELEE HI/RETUBE ONLY	retube 4' LED	3,440	0.8	0.5	0.2	2,601	1,775	826
3,097.0	Schuyler-Colfax ms	Stage Stage	1	23W CF SCREW IN	jar	4		NO RETRO	no change	3,440	0.1	0.1		344	344	
3,098.0	Schuyler-Colfax ms	Kitchen Kitchen 163 Prep Area	1	4L4' T8 28w/ELEE LO-8'	wrap	11	11	4L4' LED 13w/ELEE LO/RETUBE ONLY	retube 4' LED	2,840	0.9	0.6	0.3	2,593	1,749	843
3,099.0	Schuyler-Colfax ms	Kitchen Kitchen 163 Prep Area	1	2L4' T8 28w/ELEE LO	wrap	5	5	2L4' LED 13w/ELEE LO/RETUBE ONLY	retube 4' LED	2,840	0.2	0.1	0.1	596	398	199
3,100.0	Schuyler-Colfax ms	Kitchen Kitchen Grease Hood	1	23W CF SCREW IN	jar	16		NO RETRO	no change	2,840	0.4	0.4		1,136	1,136	
3,101.0	Schuyler-Colfax ms	Bath Bath 163 Tr	1	1L4' T8 28w/ELEE LO	vanity	1	1	1L4' LED 13w/ELEE LO/RETUBE ONLY	retube 4' LED	2,548	0.0	0.0	0.0	56	36	20
3,102.0	Schuyler-Colfax ms	Storage Storage 163 As	1	2L2' T8 15w/EL LO	wrap	1	1	2L2' LED 7w/ELEE LO/RETUBE ONLY	retube 2' LED	500	0.0	0.0	0.0	12	9	4
3,103.0	Schuyler-Colfax ms	Storage Storage 163 Ds	1	2L4' T8 28w/ELEE HI-8'	wrap	1	1	2L4' LED 13w/ELEE HI/RETUBE ONLY	retube 4' LED	500	0.1	0.0	0.0	32	22	11
3,104.0	Schuyler-Colfax ms	Storage Storage 163Cs	1	2L4' T8 28w/ELEE HI-8'	wrap	2	2	2L4' LED 13w/ELEE HI/RETUBE ONLY	retube 4' LED	500	0.1	0.1	0.0	64	43	21
3,105.0	Schuyler-Colfax ms	Mechanical Mechanical 163 Me	1	13 WATT LED	jar	1		NO RETRO	no change already LED	350	0.0	0.0		5	5	
3,106.0	Schuyler-Colfax ms	Office Office 163 Ao	1	1L4' T8 28w/ELEE HI	wrap	1	1	1L4' LED 13w/ELEE HI/RETUBE ONLY	retube 4' LED	1,988	0.0	0.0	0.0	66	43	23
3,107.0	Schuyler-Colfax ms	Cafeteria Cafeteria Seating Area	1	4L4' T8 28w/ELEE LO-8'	trof opaque 1' wide	32	32	4L4' LED 13w/ELEE LO/RETUBE ONLY	retube 4' LED	2,408	2.7	1.8	0.7	6,396	4,315	2,081
3,108.0	Schuyler-Colfax ms	Cafeteria Cafeteria Seating Area	1	2L4' T8 28w/ELEE LO	trof opaque 1' wide	16	16	2L4' LED 13w/ELEE LO/RETUBE ONLY	retube 4' LED	2,408	0.7	0.4	0.2	1,618	1,079	539
3,109.0	Schuyler-Colfax ms	Cafeteria Cafeteria Seating Area	1	4L4' T8 28w/ELEE	wrap	12	12	4L4' LED 13w/ELEE/RETUBE ONLY	retube 4' LED	2,408	1.1	0.8	0.3	2,716	1,849	867
3,110.0	Schuyler-Colfax ms	Office Office 162 Sc	1	4L4' T8 28w/ELEE LO-8'	strip	1	1	4L4' LED 13w/ELEE LO/RETUBE ONLY	retube 4' LED	1,988	0.1	0.1	0.0	165	111	54
3,111.0	Schuyler-Colfax ms	Office Office 162 Sc	1	2L4' T8 28w/ELEE HI	wrap	2	2	2L4' LED 13w/ELEE HI/RETUBE ONLY	retube 4' LED	2,840	0.1	0.1	0.0	364	244	119
3,112.0	Schuyler-Colfax ms	Office Office 162 Sc	1	2L4' T8 28w/ELEE HI	wrap	1	1	2L4' LED 13w/ELEE HI/RETUBE ONLY	retube 4' LED	2,840	0.1	0.0	0.0	182	122	60
3,113.0	Schuyler-Colfax ms	Storage Storage 162 Sc	1	2L4' T8 28w/ELEE HI	wrap	2	2	2L4' LED 13w/ELEE HI/RETUBE ONLY	retube 4' LED	2,440	0.1	0.1	0.0	312	210	102
3,114.0	Schuyler-Colfax ms	Classroom Classroom 164	1	2L4' T8 28w/ELEE HI	trof acr	1	1	2L4' LED 13w/ELEE HI/RETUBE ONLY	retube 4' LED	1,988	0.1	0.0	0.0	127	85	42
3,115.0	Schuyler-Colfax ms	Classroom Classroom 164	1	2L4' T8 28w/ELEE HI	trof acr	10	10	2L4' LED 13w/ELEE HI/RETUBE ONLY	retube 4' LED	2,840	0.6	0.4	0.2	1,818	1,221	596
3,116.0	Schuyler-Colfax ms	Classroom Classroom 164	1	2L4' T8 28w/ELEE HI	trof acr	10	10	2L4' LED 13w/ELEE HI/RETUBE ONLY	retube 4' LED	2,840	0.6	0.4	0.2	1,818	1,221	596
3,117.0	Schuyler-Colfax ms	Classroom Classroom 164	1	2L4' T8 28w/ELEE HI	trof opaque 1' wide	8	8	2L4' LED 13w/ELEE HI/RETUBE ONLY	retube 4' LED	2,840	0.5	0.3	0.2	1,454	977	477
3,118.0	Schuyler-Colfax ms	Office Office 164Ao	1	2L4' T8 28w/ELEE HI	trof acr	4	4	2L4' LED 13w/ELEE HI/RETUBE ONLY	retube 4' LED	1,988	0.3	0.2	0.1	509	342	167
3,119.0	Schuyler-Colfax ms	Storage Storage Instruments	1	1L4' T8 28w/ELEE HI	wrap	2	2	1L4' LED 13w/ELEE HI/RETUBE ONLY	retube 4' LED	1,708	0.1	0.0	0.0	113	73	39
3,120.0	Schuyler-Colfax ms	Storage Storage Instruments	1	1L4' T8 28w/ELEE HI	wrap	1	1	1L4' LED 13w/ELEE HI/RETUBE ONLY	retube 4' LED	1,708	0.0	0.0	0.0	56	37	20
3,121.0	Schuyler-Colfax ms	Hall Hall By Practice Rooms	1	2L2' T8 15w/EL	trof acr	2	2	2L2' LED 7w/ELEE/RETUBE ONLY	retube 2' LED	2,548	0.1	0.0	0.0	143	97	46
3,122.0	Schuyler-Colfax ms	Hall Hall By Practice Rooms	1	2L4' T8 28w/ELEE	trof acr	1	1	2L4' LED 13w/ELEE/RETUBE ONLY	retube 4' LED	2,548	0.0	0.0	0.0	122	82	41
3,123.0	Schuyler-Colfax ms	Hall Hall By Practice Rooms	1	2L2' T8 15w/EL	trof acr	1	1	2L2' LED 7w/ELEE/RETUBE ONLY	retube 2' LED	2,548	0.0	0.0	0.0	71	48	23
3,124.0	Schuyler-Colfax ms	Storage Storage 1	1	2L2' T8 15w/EL	trof acr	1	1	2L2' LED 7w/ELEE HI/RETUBE ONLY	retube 2' LED	500	0.0	0.0	0.0	17	14	3
3,125.0	Schuyler-Colfax ms	Storage Storage 2	1	2L2' T8 15w/EL	trof acr	1	1	2L2' LED 7w/ELEE HI/RETUBE ONLY	retube 2' LED	500	0.0	0.0	0.0	17	14	3
3,126.0	Schuyler-Colfax ms	Storage Storage 3	1	2L2' T8 15w/EL	trof acr	1	1	2L2' LED 7w/ELEE HI/RETUBE ONLY	retube 2' LED	500	0.0	0.0	0.0	17	14	3
3,127.0	Schuyler-Colfax ms	Bath Bath Staff	1	1L4' T8 28w/ELEE HI	wrap	1	1	1L4' LED 13w/ELEE HI/RETUBE ONLY	retube 4' LED	2,548	0.0	0.0	0.0	84	55	29
3,128.0	Schuyler-Colfax ms	Bath Bath Staff	1	2L4' T8 28w/ELEE HI	trof acr	1	1	2L4' LED 13w/ELEE HI/RETUBE ONLY	retube 4' LED	2,548	0.1	0.0	0.0	163	110	54
3,129.0	Schuyler-Colfax ms	Bath Bath Staff	1	2L2' T8 15w/EL LO	wrap	1	1	2L2' LED 7w/ELEE LO/RETUBE ONLY	retube 2' LED	2,548	0.0	0.0	0.0	61	43	18
3,130.0	Schuyler-Colfax ms	Bath Bath Staff	1	2L4' T8 28w/ELEE HI	trof acr	2	2	2L4' LED 13w/ELEE HI/RETUBE ONLY	retube 4' LED	2,548	0.1	0.1	0.0	326	219	107
3,131.0	Schuyler-Colfax ms	Bath Bath Staff	1	2L4' T8 28w/ELEE HI-8'	vanity	1	1	2L4' LED 13w/ELEE HI/RETUBE ONLY	retube 4' LED	2,548	0.1	0.0	0.0	163	110	54
3,132.0	Schuyler-Colfax ms	Bath Bath 148 Bt	1	2L2' T8 15w/EL LO	wrap	1	1	2L2' LED 7w/ELEE LO/RETUBE ONLY	retube 2' LED	2,548	0.0	0.0	0.0	61	43	18
3,133.0	Schuyler-Colfax ms	Bath Bath 148 Bt	1	2L2' T8 15w/EL LO	wrap	2	2	2L2' LED 7w/ELEE LO/RETUBE ONLY	retube 2' LED	2,548	0.0	0.0	0.0	122	87	36
3,134.0	Schuyler-Colfax ms	Bath Bath 148 Bt	1	2L4' T8 28w/ELEE HI	box acrylic	1	1	2L4' LED 13w/ELEE HI/RETUBE ONLY	retube 4' LED	2,548	0.1	0.0	0.0	163	110	54



Wayne NJ

Phase 2 Lighting Scope of Work

Line	Building Name	Location	FI	Pre Fixture Description	Pre Fixture Style	Pre Qty	Pre Qty In Scope	Post Fixture Description	Post Fixture Style	Annual Hours	Pre kW	Post kW	kW Saved Coin.	Pre kWh	Post kWh	kWh Saved
3,339.0	Schuyler-Colfax ms	Hall Hall Middle	1	11W CF SCREW IN	square surface mt.	4		NO RETRO	no change	2,548	0.1	0.1		132	132	
3,340.0	Schuyler-Colfax ms	Classroom Classroom 145	1	4L4' T8 28w/ELEE-8'	wrap	12	12	4L4' LED 13w/ELEE/RETUBE ONLY	retube 4' LED	1,988	1.1	0.8	0.3	2,242	1,527	716
3,341.0	Schuyler-Colfax ms	Classroom Classroom 145	1	2L4' T8 28w/ELEE	wrap	3	3	2L4' LED 13w/ELEE/RETUBE ONLY	retube 4' LED	1,988	0.1	0.1	0.0	286	191	95
3,342.0	Schuyler-Colfax ms	Storage Storage 145 Ao	1	2L4' T8 28w/ELEE	wrap	2	2	2L4' LED 13w/ELEE/RETUBE ONLY	retube 4' LED	1,708	0.1	0.1	0.0	164	109	55
3,343.0	Schuyler-Colfax ms	Classroom Classroom 140	1	4L4' T8 28w/ELEE-8'	wrap	9	9	4L4' LED 13w/ELEE/RETUBE ONLY	retube 4' LED	1,988	0.8	0.6	0.2	1,682	1,145	537
3,344.0	Schuyler-Colfax ms	Classroom Classroom 140	1	2L4' T8 28w/ELEE	wrap	4	4	2L4' LED 13w/ELEE/RETUBE ONLY	retube 4' LED	1,988	0.2	0.1	0.1	382	254	127
3,345.0	Schuyler-Colfax ms	Classroom Classroom 136 Wood	1	4L4' T8 28w/ELEE-8'	wrap	20	20	4L4' LED 13w/ELEE/RETUBE ONLY	retube 4' LED	2,840	1.9	1.3	0.6	5,339	3,635	1,704
3,346.0	Schuyler-Colfax ms	Classroom Classroom 136 Wood	1	2L4' T8 28w/ELEE	wrap	4	4	2L4' LED 13w/ELEE/RETUBE ONLY	retube 4' LED	2,840	0.2	0.1	0.1	545	364	182
3,347.0	Schuyler-Colfax ms	Storage Storage Varnish	1	23W CF SCREW IN	explosion	1		NO RETRO	no change	350	0.0	0.0		9	9	
3,348.0	Schuyler-Colfax ms	Storage Storage Varnish	1	2L4' T8 28w/ELEE HI	trof acr	1	1	2L4' LED 13w/ELEE HI/RETUBE ONLY	retube 4' LED	350	0.1	0.0	0.0	22	15	7
3,349.0	Schuyler-Colfax ms	Office Office Wood Shop	1	2L2' T8 15w/EL	trof acr	2	2	2L2' LED 7w/ELEE HI/RETUBE ONLY	retube 2' LED	1,988	0.1	0.1	0.0	131	107	24
3,350.0	Schuyler-Colfax ms	Storage Storage Wood Shop	1	2L4' T8 28w/ELEE HI	trof acr	1	1	2L4' LED 13w/ELEE HI/RETUBE ONLY	retube 4' LED	350	0.1	0.0	0.0	22	15	7
3,351.0	Schuyler-Colfax ms	Classroom Classroom 135	1	4L4' T8 28w/ELEE-8'	wrap	14	14	4L4' LED 13w/ELEE/RETUBE ONLY	retube 4' LED	1,988	1.3	0.9	0.4	2,616	1,781	835
3,352.0	Schuyler-Colfax ms	Classroom Classroom 135	1	2L4' T8 28w/ELEE	wrap	3	3	2L4' LED 13w/ELEE/RETUBE ONLY	retube 4' LED	1,988	0.1	0.1	0.0	286	191	95
3,353.0	Schuyler-Colfax ms	Classroom Classroom 135	1	2L4' T8 28w/ELEE	wrap	2	2	2L4' LED 13w/ELEE/RETUBE ONLY	retube 4' LED	1,988	0.1	0.1	0.0	191	127	64
3,354.0	Schuyler-Colfax ms	Storage Storage 135 As	1	2L4' T8 28w/ELEE	wrap	1	1	2L4' LED 13w/ELEE/RETUBE ONLY	retube 4' LED	350	0.0	0.0	0.0	17	11	6
3,355.0	Schuyler-Colfax ms	Storage Storage 135 Bs	1	2L4' T8 28w/ELEE	wrap	1	1	2L4' LED 13w/ELEE/RETUBE ONLY	retube 4' LED	350	0.0	0.0	0.0	17	11	6
3,356.0	Schuyler-Colfax ms	Classroom Classroom 134	1	4L4' T8 28w/ELEE-8'	wrap	12	12	4L4' LED 13w/ELEE/RETUBE ONLY	retube 4' LED	1,988	1.1	0.8	0.3	2,242	1,527	716
3,357.0	Schuyler-Colfax ms	Classroom Classroom 134	1	3L4' T8 28w/ELEE LO	indirect	3	3	3L4' LED 13w/ELEE LO/RETUBE ONLY	retube 4' LED	1,988	0.2	0.1	0.1	376	250	125
3,358.0	Schuyler-Colfax ms	Hall Hall 130 To 136	1	3L4' T8 28w/ELEE LO	trof acr 1' wide	22	22	3L4' LED 13w/ELEE LO/RETUBE ONLY	retube 4' LED	3,640	1.4	0.9	0.5	5,045	3,363	1,682
3,359.0	Schuyler-Colfax ms	Hall Hall 140 To 145	1	3L4' T8 28w/ELEE LO	trof acr 1' wide	7	7	3L4' LED 13w/ELEE LO/RETUBE ONLY	retube 4' LED	3,640	0.4	0.3	0.1	1,605	1,070	535
3,360.0	Schuyler-Colfax ms	Hall Hall 143 To 146Gt	1	2L4' T8 28w/ELEE	trof acr	10	10	2L4' LED 13w/ELEE/RETUBE ONLY	retube 4' LED	3,640	0.5	0.3	0.2	1,747	1,165	582
3,361.0	Schuyler-Colfax ms	Hall Hall 143 To 146Gt	1	2L2' T8 15w/EL	trof acr	1	1	2L2' LED 7w/ELEE/RETUBE ONLY	retube 2' LED	3,640	0.0	0.0	0.0	102	69	33
3,362.0	Schuyler-Colfax ms	Hall Hall 146Gt To 157	1	2L4' T8 28w/ELEE	trof acr	6	6	2L4' LED 13w/ELEE/RETUBE ONLY	retube 4' LED	3,640	0.3	0.2	0.1	1,048	699	349
3,363.0	Schuyler-Colfax ms	Hall Hall 146Gt To 157	1	2L2' T8 15w/EL	trof opaque	9	9	2L2' LED 7w/ELEE/RETUBE ONLY	retube 2' LED	3,640	0.3	0.2	0.1	917	622	295
3,364.0	Schuyler-Colfax ms	Hall Hall 146Gt To 157	1	3L4' T8 28w/ELEE LO	trof acr 1' wide	9	9	3L4' LED 13w/ELEE LO/RETUBE ONLY	retube 4' LED	3,640	0.6	0.4	0.2	2,064	1,376	688
3,365.0	Schuyler-Colfax ms	Classroom Classroom 151	1	2L4' T8 28w/ELEE HI-8'	wrap	6	6	2L4' LED 13w/ELEE HI/RETUBE ONLY	retube 4' LED	1,988	0.4	0.3	0.1	763	513	250
3,366.0	Schuyler-Colfax ms	Bath Bath 146Bt	1	2L4' T8 28w/ELEE LO-8'	wrap	4	4	2L4' LED 13w/ELEE LO/RETUBE ONLY	retube 4' LED	2,548	0.2	0.1	0.0	428	285	143
3,367.0	Schuyler-Colfax ms	Bath Bath 146Gt	1	2L4' T8 28w/ELEE HI	trof acr	4	4	2L4' LED 13w/ELEE HI/RETUBE ONLY	retube 4' LED	2,548	0.3	0.2	0.1	652	438	214
3,368.0	Schuyler-Colfax ms	Bath Bath 146Gt	1	2L2' T8 15w/EL LO	vanity	4	4	2L2' LED 7w/ELEE LO/RETUBE ONLY	retube 2' LED	2,548	0.1	0.1	0.0	245	173	71

APPENDIX FOR ECM 1: INTERIOR LIGHTING SYSTEM IMPROVEMENTS

II. MANUFACTURER SPECIFICATION SHEETS

This page is intentionally left blank.

PHILIPS

LED

InstantFit lamps



This is **real compatibility**

Other lamps claim compatibility, but only InstantFit has been proven to work with over 350 ballasts and drivers delivering even light output, proven energy savings and a long average lifetime. That's true compatibility.

- **InstantFit works with over 350 ballasts and drivers**— more than any other lamp — so you know it's going to perform as expected and keep you from having to redo any jobs
- **Proven over 40% energy savings²** over fluorescent means continual payback for the life of the product
- **Lifetime delivered** — average life rating of 50,000 hours³, with up to 70,000 hours³ available
- **Shatter prevention**— unlike competitors' coated glass lamps, our polycarbonate lamps prevent breakage, not just contain the shattered glass
- **Light quality and performance predictability**— consistent light output and no flicker means satisfied delighted customers
- **Proven product history** and a company with a long history of innovation and reliability in the lighting industry
- **No perceivable flicker¹²** for all InstantFit lamps

Philips InstantFit LED lamps

Ordering, electrical and technical data (Subject to change without notice)

Product Number	DLC Model Number	Product Description	Lamp Watts ⁹	Base	CRI	Color Temp. (K)	LED Lifetime ⁴	Lumens	Beam	Lamp Material	UL Type	DLC Product ID ⁸	Lamps per Case (Pallet)
2-FT T8 MasterClass													
541813	9290019869	7T8/MAS/24-830/IF10/P 10/1	7	G13	82	3000	70,000	1050	180°	Plastic	A, C	PEVGCYR3	10 (2380)
541821	9290019870	7T8/MAS/24-835/IF10/P 10/1	7	G13	82	3500	70,000	1050	180°	Plastic	A, C	PCFWLD63	10 (2380)
541839	9290019871	7T8/MAS/24-840/IF11/P 10/1	7	G13	82	4000	70,000	1150	180°	Plastic	A, C	P451IONS	10 (2380)
541847	9290019872	7T8/MAS/24-850/IF11/P 10/1	7	G13	82	5000	70,000	1150	180°	Plastic	A, C	PA8KOGZ6	10 (2380)
3-FT T8 MasterClass													
539858	9290019675	8.5T8/MAS/36-830/IF13/P 10/1	8.5	G13	82	3000	70,000	1300	180°	Plastic	A, C	PVZ2OQ5G	10 (1530)
539866	9290019679	8.5T8/MAS/36-835/IF13/P 10/1	8.5	G13	82	3500	70,000	1300	180°	Plastic	A, C	PUB5CRL0	10 (1530)
539874	9290019676	8.5T8/MAS/36-840/IF14/P 10/1	8.5	G13	82	4000	70,000	1400	180°	Plastic	A, C	PSU0O3VV	10 (1530)
539882	9290019677	8.5T8/MAS/36-850/IF14/P 10/1	8.5	G13	82	5000	70,000	1400	180°	Plastic	A, C	PQMBVBD4	10 (1530)
4-FT T8 Energy Advantage MasterClass													
●	469569	9290011239C	10	G13	82	3000	50,000	1500	160°	Plastic	A, C	PE1J4CJW	10 (600)
●	469577	9290011240C	10	G13	82	3500	50,000	1500	160°	Plastic	A, C	PCY5A5J7	10 (600)
●	469585	9290011241C	10	G13	82	4000	50,000	1600	160°	Plastic	A, C	PES681F4	10 (600)
●	469593	9290011242C	10	G13	82	5000	50,000	1600	160°	Plastic	A, C	P1CQAFXR	10 (600)
	473974	9290013972	10	G13	82	3000	70,000	1500	180°	Plastic	A, C	PBTPEMN8 ¹¹	10 (1190)
	473982	9290013973	10	G13	82	3500	70,000	1500	180°	Plastic	A, C	PNQDNQ8A	10 (1190)
	473990	9290013974	10	G13	82	4000	70,000	1600	180°	Plastic	A, C	PONVK2RH	10 (1190)
	474007	9290013975	10	G13	82	5000	70,000	1600	180°	Plastic	A, C	PN4911BT	10 (1190)
	540807	9290013974	10	G13	82	4000	70,000	1600	180°	Plastic	A, C	PZSHH318	25 (1400)
4-FT T8 Energy Advantage CorePro													
	553214	9290022527	10	G13	80	3000	50,000	1500	240°	Glass	A, C	Not DLC	10 (600)
	553222	9290022528	10	G13	80	3500	50,000	1500	240°	Glass	A, C	Not DLC	10 (600)
	553230	9290019917	10	G13	80	4000	50,000	1500	240°	Glass	A, C	PJJX91OZ	10 (600)
	541986	9290019917	10	G13	82	4000	50,000	1600	240°	Glass	A, C	PJJX91OZ	25 (900)
	553248	9290019918	10	G13	80	5000	50,000	1500	240°	Glass	A, C	PONVK2RH	10 (600)
	541994	9290019918	10	G13	82	5000	50,000	1600	240°	Glass	A, C	PONVK2RH	25 (900)
4-FT T8 Energy Advantage CorePro													
×	530469	9290018660	12	G13	82	3000	50,000	1700	240°	Glass	A, C	PRRG5CTH	10 (650)
×	530477	9290018661	12	G13	82	3500	50,000	1700	240°	Glass	A, C	P9ZCH9LL	10 (650)
×	530485	9290018662	12	G13	82	4000	50,000	1800	240°	Glass	A, C	PIAVUPWL	10 (650)
×	530493	9290018663	12	G13	82	5000	50,000	1800	240°	Glass	A, C	PSDP6ZG1	10 (650)
4-FT T8 CorePro													
	542084	9290019606	16	G13	80	4000	36,000	1800	240°	Glass	A	Not DLC	10 (650)
	542092	9290019607	16	G13	80	5000	36,000	1800	240°	Glass	A	Not DLC	10 (650)
4-FT T8 High Output MasterClass													
○	468652	9290013033	14	G13	82	3000	50,000	2000	160°	Plastic	A, C	P1Z3VUZP	10 (1120)
○	468660	9290013034	14	G13	82	3500	50,000	2000	160°	Plastic	A, C	PMRXKRUT	10 (1120)
○	468678	9290013035	14	G13	82	4000	50,000	2100	160°	Plastic	A, C	P2R73QWZ	10 (1120)
○	468686	9290013036	14	G13	82	5000	50,000	2100	160°	Plastic	A, C	PQ2TMYAQ	10 (1120)
●	469601	9290011585C	14	G13	82	3000	50,000	2100	160°	Plastic	A, C	P1GG4T6Q	10 (600)
●	469619	9290011586C	14	G13	82	3500	50,000	2100	160°	Plastic	A, C	P5R4PGPD	10 (600)
●	469627	9290011587C	14	G13	82	4000	50,000	2100	160°	Plastic	A, C	PFWPMJNV	10 (600)
●	469635	9290011588C	14	G13	82	5000	50,000	2100	160°	Plastic	A, C	P9RG41WJ	10 (600)
	473926	9290013976A	13	G13	80	3000	70,000	2000	180°	Plastic	A, C	P4NOXYLX	10 (1190)
	473934	9290013977A	13	G13	80	3500	70,000	2000	180°	Plastic	A, C	PNKEQNT	10 (1190)
	473942	9290013978B	13	G13	80	4000	70,000	2100	180°	Plastic	A, C	PPSOM8AQ	10 (1190)
	540799	9290013978B	13	G13	80	4000	70,000	2100	180°	Plastic	A, C	PPSOM8AQ	25 (1400)
	473958	9290013979A	13	G13	80	5000	70,000	2100	180°	Plastic	A, C	PY4PF7KV	10 (1190)
4-FT T8 High Output CorePro													
	470096	9290013430A	14	G13	82	3000	50,000	2000	240°	Glass	A, C	P8JMVDL	10 (650)
	470104	9290013431A	14	G13	82	3500	50,000	2000	240°	Glass	A, C	PBC11GJ1	10 (650)
	470112	9290013432A	14	G13	82	4000	50,000	2100	240°	Glass	A, C	PQJR24AE	10 (650)
	537803	9290013432A	14	G13	82	4000	50,000	2100	240°	Glass	A, C	PQJR24AE	10 (440)
	470120	9290013433A	14	G13	82	5000	50,000	2100	240°	Glass	A, C	P8JMVDL	10 (650)
4-FT T8 Ultra High Output MasterClass													
	533372	9290020163	15.5	G13	82	3500	70,000	2400	240°	Plastic	A, C	P51ZCP75	25 (1400)
	545194	9290020164	15.5	G13	82	4000	70,000	2500	240°	Plastic	A, C	PCYKVJ5I	25 (1120)
	545200	9290020165	15.5	G13	82	5000	70,000	2500	240°	Plastic	A, C	POHKOY9Y	25 (1400)
8-FT T8 MasterClass													
	469247	9290013078	35	FA8	82	3500	50,000	4000	180°	Plastic	A	Not DLC	10 (300)
	469254	9290013146	35	FA8	82	4000	50,000	4200	180°	Plastic	A	Not DLC	10 (300)

Philips InstantFit LED lamps

Ordering, electrical and technical data continued (Subject to change without notice)

Product Number	DLC Model Number	Product Description	Lamp Watts	Base	CRI	Color Temp. (K)	LED Lifetime ⁴	Lumens	Beam	Lamp Material	UL Type	DLC Product ID ⁸	Lamps per Case (Pallet)
8-FT T8 CorePro													
533000	9290018971	30T8/PER/96-830/IF42/P/FA8 10/1	30	FA8	82	3000	50,000	4200	240°	Glass	A	PV5I8TZI	10 (400)
533018	9290018972	30T8/PER/96-835/IF42/P/FA8 10/1	30	FA8	82	3500	50,000	4200	240°	Glass	A	PZKP0TXO	10 (400)
533026	9290018973	30T8/PER/96-840/IF42/P/FA8 10/1	30	FA8	82	4000	50,000	4200	240°	Glass	A	P73Q3PKC	10 (400)
533034	9290018974	30T8/PER/96-850/IF42/P/FA8 10/1	30	FA8	82	5000	50,000	4200	240°	Glass	A	PRG5ZZ3R	10 (400)
U-bend T8 High Output MasterClass													
541854	9290019874	13T8-6U/MAS/24-830/IF20/P 10/1	13	G13	82	3000	70,000	2000	180°	Plastic	A, C	P4LG6FAR	10 (400)
541862	9290019875	13T8-6U/MAS/24-835/IF20/P 10/1	13	G13	82	3500	70,000	2000	180°	Plastic	A, C	PCBI697X	10 (400)
541870	9290019876	13T8-6U/MAS/24-840/IF21/P 10/1	13	G13	82	4000	70,000	2100	180°	Plastic	A, C	PQJQXE4Q	10 (400)
541888	9290019877	13T8-6U/MAS/24-850/IF21/P 10/1	13	G13	82	5000	70,000	2100	180°	Plastic	A, C	PXIK4NU7	10 (400)

Philips InstantFit LED T8 electro magnetic compatible lamps

Product Number	DLC Model Number	Product Description	Lamp Watts	Base	CRI	Color Temp. (K)	LED Lifetime ⁴	Lumens	Beam	Lamp Material	UL Type	DLC Product ID ⁸	Lamps per Case (Pallet)
4-FT T8 (EM + HF Ballast Compatible)^{5,10}													
539972	9290019659	16T8/LED/48-840/UF18/G 10/1	16	G13	82	4000	36,000	1800	240°	Glass	A (HF+EM) ¹⁰	Not DLC	10 (650)
539980	9290019660	16T8/LED/48-850/UF18/G 10/1	16	G13	82	5000	36,000	1800	240°	Glass	A (HF+EM) ¹⁰	Not DLC	10 (650)

Philips InstantFit LED lamps

Ballast technical data (Subject to change without notice)

Product Number	Product Description	Bare Lamp Watts (W)	Average System Watts (W) ⁷			Initial Lumens ⁶		
			Low Ballast Factor (0.78)	Normal Ballast Factor (0.88)	High Ballast Factor (1.18)	Low Ballast Factor (0.78)	Normal Ballast Factor (0.88)	High Ballast Factor (1.18)
2-FT T8 MasterClass								
541813	7T8/MAS/24-830/IF10/P 10/1	7	8.5	9.5	13.5	950	1050	1200
541821	7T8/MAS/24-835/IF10/P 10/1	7	8.5	9.5	13.5	950	1050	1200
541839	7T8/MAS/24-840/IF11/P 10/1	7	8.5	9.5	13.5	1050	1150	1300
541847	7T8/MAS/24-850/IF11/P 10/1	7	8.5	9.5	13.5	1050	1150	1300
3-FT T8 MasterClass								
539858	8.5T8/MAS/36-830/IF13/P 10/1	8.5	10.0	11.5	15.0	1100	1300	1500
539866	8.5T8/MAS/36-835/IF13/P 10/1	8.5	10.0	11.5	15.0	1200	1400	1600
539874	8.5T8/MAS/36-840/IF14/P 10/1	8.5	10.0	11.5	15.0	1100	1300	1500
539882	8.5T8/MAS/36-850/IF14/P 10/1	8.5	10.0	11.5	15.0	1200	1400	1600
4-FT T8 Energy Advantage MasterClass								
● 469569	10T8/48-3000 IF 10/1 TAA/NAFTA	10	11.0	13.0	16.0	1300	1500	1700
● 469577	10T8/48-3500 IF 10/1 TAA/NAFTA	10	11.0	13.0	16.0	1300	1500	1800
● 469585	10T8/48-4000 IF 10/1 TAA/NAFTA	10	11.0	13.0	16.0	1400	1600	1850
● 469593	10T8/48-5000 IF 10/1 TAA/NAFTA	10	11.0	13.0	16.0	1400	1600	1850
473974	10T8 LED/48-3000 IF 1PK 10/1	10	11.0	13.0	16.0	1300	1500	1800
473982	10T8 LED/48-3500 IF 1PK 10/1	10	11.0	13.0	16.0	1400	1600	1850
473990	10T8 LED/48-4000 IF 1PK 10/1	10	11.0	13.0	16.0	1400	1600	1850
474007	10T8 LED/48-5000 IF 1PK 10/1	10	11.0	13.0	16.0	1200	1400	1600
540807	10T8/PER/48-840/IF16/P 25/1	10	11.0	13.0	16.0	1400	1600	1850
4-FT T8 Energy Advantage CorePro								
541986	10T8/COR/48-840/IF16/G 25/1	10	12.0	13.0	17.5	1450	1600	2100
541994	10T8/COR/48-850/IF16/G 25/1	10	12.0	13.0	17.5	1450	1600	2100
553214	10T8/COR/48-830/IF15/G 10/1	10	12	13	17.5	1300	1500	1700
553222	10T8/COR/48-835/IF15/G 10/1	10	12	13	17.5	1300	1500	1800
553230	10T8/COR/48-840/IF16/G 10/1	10	12	13	17.5	1450	1600	2100
553248	10T8/COR/48-850/IF16/G 10/1	10	12	13	17.5	1450	1600	2100
4-FT T8 Energy Advantage CorePro								
x 530469	12T8/PRO/48-830/IF17/G 10/1 FB	12	12.0	15.0	17.5	1350	1700	1950
x 530477	12T8/PRO/48-835/IF17/G 10/1 FB	12	12.0	15.0	17.5	1350	1700	1950
x 530485	12T8/PRO/48-840/IF18/G 10/1 FB	12	12.0	15.0	17.5	1450	1800	2100
x 530493	12T8/PRO/48-850/IF18/G 10/1 FB	12	12.0	15.0	17.5	1450	1800	2100
4-FT T8 CorePro								
542084	16T8/LED/48-840/IF18/G 25/1	16	14.5	20	22	1400	1800	2150
542092	16T8/LED/48-850/IF18/G 25/1	16	14.5	20	22	1400	1800	2150
4-FT T8 High Output MasterClass								
● 468652	14T8/48-3000 IF 10/1 ROT	14	16.0	18.0	26.5	1800	2000	2700
● 468660	14T8/48-3500 IF 10/1 ROT	14	16.0	18.0	26.5	1800	2000	2700
● 468678	14T8/48-4000 IF 10/1 ROT	14	16.0	18.0	26.5	1900	2100	2800
● 468686	14T8/48-5000 IF 10/1 ROT	14	16.0	18.0	26.5	1900	2100	2800
469601	14T8/48-3000 IF 10/1 DIM TAA/NAFTA	14	15.0	17.0	23.0	1800	2000	2700
469619	14T8/48-3500 IF 10/1 DIM TAA/NAFTA	14	15.0	17.0	23.0	1800	2000	2700
469627	14T8/48-4000 IF 10/1 DIM TAA/NAFTA	14	15.0	17.0	23.0	1900	2100	2800
469635	14T8/48-5000 IF 10/1 DIM TAA/NAFTA	14	15.0	17.0	23.0	1900	2100	2800
473926	13T8/PER/48-830/IF20/P/DIM 10/1	13	14.0	16.0	21.5	1800	2000	2700
473934	13T8/PER/48-835/IF20/P/DIM 10/1	13	14.0	16.0	21.5	1800	2000	2700
473942	13T8/PER/48-840/IF21/P/DIM 10/1	13	14.0	16.0	21.5	1900	2100	2800
473958	13T8/PER/48-850/IF21/P/DIM 10/1	13	14.0	16.0	21.5	1900	2100	2800
540799	13T8/PER/48-840/IF21/P/DIM 25/1	13	14.0	16.0	21.5	1900	2100	2800
4-FT T8 High Output CorePro								
470096	14T8/PRO/48-830/IF20/G 10/1 FB	14	15.0	17.0	23.0	1750	2000	2350
470104	14T8/PRO/48-835/IF20/G 10/1 FB	14	15.0	17.0	23.0	1750	2000	2350
470112	14T8/PRO/48-840/IF21/G 10/1 FB	14	15.0	17.0	23.0	1850	2100	2450
470120	14T8/PRO/48-850/IF21/G 10/1 FB	14	15.0	17.0	23.0	1850	2100	2450
537803	14T8/PRO/48-840/IF21/G 10/1	14	13.0	17.0	19.0	1575	2100	2300
4-FT T8 Ultra High Output MasterClass								
533372	15.5T8/MAS/48-835/IF24/P 25/1	15.5	16.0	19.0	25.0	2000	2400	2950
545194	15.5T8/MAS/48-840/IF25/P 25/1	15.5	16.0	19.0	25.0	2100	2500	3050
545200	15.5T8/MAS/48-850/IF25/P 25/1	15.5	16.0	19.0	25.0	2100	2500	3050
8-FT T8 MasterClass								
469247	35T8/96-3500 IF FA8 10/1	35	N/A	41.0	N/A	N/A	4000	N/A
469254	35T8/96-4000 IF FA8 10/1	35	N/A	41.0	N/A	N/A	4200	N/A

Philips InstantFit LED lamps

Ballast technical data continued (Subject to change without notice)

Product Number	Product Description	Bare Lamp Watts (W)	Average System Watts (W)			Initial Lumens ⁶		
			Low Ballast Factor (0.78)	Normal Ballast Factor (0.88)	High Ballast Factor (1.18)	Low Ballast Factor (0.78)	Normal Ballast Factor (0.88)	High Ballast Factor (1.18)
8-FT T8 CorePro								
533000	30T8/PER/96-830/IF42/P/FA8 10/1	30	N/A	30.0	N/A	N/A	4000	N/A
533018	30T8/PER/96-835/IF42/P/FA8 10/1	30	N/A	30.0	N/A	N/A	4000	N/A
533026	30T8/PER/96-840/IF42/P/FA8 10/1	30	N/A	30.0	N/A	N/A	4200	N/A
533034	30T8/PER/96-850/IF42/P/FA8 10/1	30	N/A	30.0	N/A	N/A	4200	N/A
U-bend High Output MasterClass								
541854	13T8-6U/MAS/24-830/IF20/P 10/1	13	14.0	16.0	21.0	1800	2000	2700
541862	13T8-6U/MAS/24-835/IF20/P 10/1	13	14.0	16.0	21.0	1800	2000	2700
541870	13T8-6U/MAS/24-840/IF21/P 10/1	13	14.0	16.0	21.0	1900	2100	2800
541888	13T8-6U/MAS/24-850/IF21/P 10/1	13	14.0	16.0	21.0	1900	2100	2800

Philips InstantFit LED T8 electro magnetic compatible lamps

Product Number	Product Description	Bare Lamp Watts (W)	Average System Watts (W)			Initial Lumens ⁶		
			Low Ballast Factor (0.78)	Normal Ballast Factor (0.88)	High Ballast Factor (1.18)	Low Ballast Factor (0.78)	Normal Ballast Factor (0.88)	High Ballast Factor (1.18)
4-FT T8 (EM + HF Ballast Compatible)^{5,10}								
539972	16T8/LED/48-840/UF18/G 10/1 FB	16	17	19	22.5	1600	1800	2100
539980	16T8/LED/48-850/UF18/G 10/1 FB	16	17	19	22.5	1600	1800	2100

System wattage of the Philips InstantFit T8 vs a comparable linear T12⁷

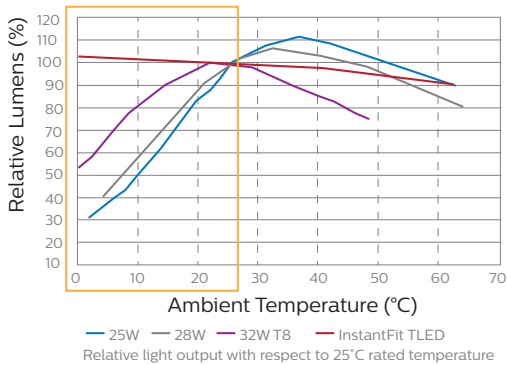
Ballast Model No.	Manufacturer	System Voltage	No. of Lamps	System Power (W) T12 Fluorescent	System Power (W) T8 LED	Energy Savings (%) ⁹
R-140-1-TP	Philips Advance	120	1	52.1	26.1	50.0%
RL-140-TP	Philips Advance	120	1	32.8	25.6	21.7%
R-2S40-1-TP	Philips Advance	120	2	88.9	47.1	47.0%
XQM-2S40-TP	Philips Advance	220	2	95.5	51.9	45.6%
V-2S40-1-TP	Philips Advance	277	2	90.2	45.3	49.8%
RQM-2S40-3-TP	Philips Advance	120	2	86.9	46.4	46.6%
R-2S34-TP-5	Philips Advance	120	2	81.1	41.5	48.8%
V-2S34-TP	Philips Advance	277	2	79.2	42.6	46.3%
RM-2S35-TP	Philips Advance	120	2	60.9	41.2	32.4%

Philips InstantFit LED lamps

Philips InstantFit LED T8 electro magnetic compatible lamps

Relative Light Output vs. Ambient Temperature

4' T8 Lamps - 0.88 BF Ballast



Suitable for use in fixtures where ambient temperature is between -4°F (-20°C) and 113°F (45°C).

Warning: Philips LED T8 InstantFit lamps will only operate properly on compatible Instant-start and Programmed-start ballasts. Please refer to the Philips LED T8 InstantFit Installation Guide, which can be obtained through your local Philips Sales Representative, or visit www.philips.com/instantfit

FCC Note: This device complies with Part 18 of the FCC Rules.

Please refer to www.philips.com/instantfit for instant start ballasts details and the latest ballast compatibility guide⁵.

For more information on Philips' limited warranty please visit www.philips.com/warranties.

- Based on the next leading competitor and their number of compatible ballasts at time of printing.
- Savings based on comparison to F32T8 electronic instant start systems.
- Tested to B50 L70 requirement with a ballast factor < 0.88.
- LED lifetime means the length of time (in hours) until half of the LED light sources maintain at least 70% of their initial lumen output (B50, L70). Testing with a ballast whose ballast factor is ≤ 0.88
- Compatibility subject to change as additional ballasts are tested. If you do not see your ballast on the compatibility list please contact your local Philips Lighting representative.
- Photometric testing consistent with IES LM-79.
- Measured data provided as a reference. System power may vary depending on ballast manufacturer and ballast age. Please refer to www.philips.com/instantfit for the latest ballast compatibility guide.
- DLC Product ID list is for UL Type A only. The product may also be DLC certified as UL Type C. To verify search the DLC QPL using the model number.
- Bare lamp wattage. For system wattage see charts below
- These lamps work on both magnetic and electronic ballasts.
- This product is DLC listed as Type C only. It is not DLC as a Type A lamp.
- Refer to NEMA/IEC standard for SVM (Stroboscopic Visibility Measure).
- Products offered under the Trade Agreements Act (TAA).
For more information, visit <http://www.va.gov/oal/business/fss/taa.asp>
Not all products are qualified on the DLC QPL. To view our DLC qualified products, please consult the DLC Qualified Products List at www.designlights.org/search.



© 2019 Signify Holding. All rights reserved. The information provided herein is subject to change, without notice. Signify does not give any representation or warranty as to the accuracy or completeness of the information included herein and shall not be liable for any action in reliance thereon. The information presented in this document is not intended as any commercial offer and does not form part of any quotation or contract, unless otherwise agreed by Signify. Philips and the Philips Shield Emblem are registered trademarks of Koninklijke Philips N.V. All other trademarks are owned by Signify Holding or their respective owners.

Signify North America Corporation
200 Franklin Square Drive,
Somerset, NJ 08873
Telephone 855-486-2216

Signify Canada Ltd.
281 Hillmount Road,
Markham, ON, Canada L6C 2S3
Telephone 800-668-9008

ECM 2: REPLACE BOILERS

ECM OVERVIEW

Ameresco proposes to remove four (4) old boilers at the Wayne Valley High School, two steam and two heating hot water, and replace them with four (4) new, more efficient boilers, one steam and three condensing hot water. The new boilers will provide the Wayne Public School District (District) with new equipment and reliable redundancy that will save energy and lower operating and maintenance costs.



Figure 2.1: Existing Hot Water Boilers to be replaced Wayne Valley High School.

ECM DETAIL

EXISTING SYSTEM

Space heating for the Wayne Valley High School is provided by (2) boiler rooms:

- Steam Boiler room:** there are three (3) steam boilers in this room, two (2) are H.B. Smith cast iron sectional boilers with an input capacity of 5,333.9 MBH each. Both boilers were manufactured in 1983 and are well beyond their useful life. The third boiler is a new A.L Eastmond & Sons (EASCO) manufactured and installed by Ameresco in 2016. One of the H.B. Smith boilers is not functional and has been taken out of service. The second H.B. Smith boiler is reported by the District to be leaking and is in need of major repairs. The EASCO boiler is in use and the only source for steam in the school.
- Hot Water Boiler room:** there are two (2) hot water boilers in this room, both are made by Cleaver Brooks, each rated for 10,461 MBH input. The boilers were manufactured in 1971 and are well beyond their useful life. The District had recently repaired/replaced 21 tubes in one of the boilers. This retubed boiler is being used as the lead boiler.

Four existing to be removed boilers are listed below, age varies between 37 years and 49 years old:

WAYNE VALLEY HS	EXISTING TO BE REMOVED BOILERS	QTY	MANUFACTURE DATE	RATING (MBH)
Steam Boilers	H.B. Smith	2	1983	5,334
Hot Water Boilers	Cleaver Brooks	2	1971	10,461

Table 2.1: Existing Boilers Information

PROPOSED SYSTEMS

Ameresco proposes to replace the four (4) boilers listed above at the Wayne Valley High School with four (4) new high efficiency boilers: one (1) new steam boiler and three (3) new condensing hot water boilers. The new boilers combined will be rated to meet school’s design load demands. The new steam boiler will tie into the existing low-pressure steam header. The new condensing hot water boilers will be connected to the existing supply and return piping. The new boilers will provide the District with high efficiency boilers and provide reliable redundancy in the event of a boiler failure.

MEDIUM	MANUFACTURER	QTY
Steam	EASCO-FST-175	1
Hot Water	Aerco-BMK 5000	3

Table 2.2: New Boilers Information

New boilers are to be installed per the following scopes of work.

BOILER ROOM #1 (STEAM):

Two (2) existing HB Smith boilers are to be demolished and removed. Only one of the two (2) removed boilers will be replaced. One EASCO-FST-175 boiler is to be installed per the following scope of work:

- **Demolish:** Remove and dispose of two existing HB Smith (5,333 MBH Input) steam boilers.
 - Disconnect existing steam piping back to first isolation valves on header. (Isolation vales to remain and be reused)
 - Disconnect existing electric services and ready for new boiler.
 - Disconnect existing natural gas and ready for new boiler.
 - Demo existing boilers exhaust breeching back to existing common breeching and seal blank-off one unused opening on common breeching.
 - Ancillary equipment such as boiler feed unit are to be reused.

- **Install:** One new EASCO-FST-175 boiler per manufacturer’s specification, boiler is rated for 7,323 MBH input.
 - Install new gas connections and gas trains as necessary.
 - Vent new boiler through existing common breeching.
 - Install all power and control wiring
 - Install necessary piping to connect new boilers to existing steam header and boiler feed.
 - Install all valves, pressure gauges, temperature probes, etc. required to bring the job to completion.

- Insulate and label all new steam and condensate piping. Some existing to remain piping might become uninsulated due to asbestos abatement. All exiting pipes will be reinsulated.
- Testing, Startup, tuning, and training to be provided by contractor under manufacturer’s supervision.

Wayne Valley High School	Demolition		Install	
	Boiler	QTY	Boiler	QTY
Steam Boiler Room	HB Smith	2	EASCO-FST-175 or equivalent	1

- **Exclusions**
 - Ameresco excludes any code upgrades, not associated with the boiler installation, required to the boiler room or fire protection systems.
 - Ameresco excludes repairs to existing infrastructure such as existing steam and auxiliary piping beyond the first header isolation valves, excludes header isolation valve replacement.
 - Ameresco excludes piping beyond the boiler room
 - Any work or repairs in tunnels are excluded.

Asbestos Abatement:

Ameresco proposes to test the two (2) H.B. Smith boilers doors and joints as well as testing insulation on pipes, tanks and breeching located within the steam boiler room, for asbestos. All items that test positive will be abated. Ameresco proposes asbestos abatement from existing boilers, tanks insulation, piping insulation, and breeching insulation. Abatement activity can be conducted under occupied or unoccupied building conditions. Minimum disturbance to the building occupants can be achieved by utilizing access pits located at exit doors of the steam boiler room. Decontamination chambers can be directly attached to each work area configuration and existing egress points used as separation barriers; the abatement work is as follow:

- **Scope:** asbestos testing and abatement from boiler room area.
 - a. Abatement of asbestos suspected on two (2) boilers inclusive of all components, gaskets, interior brick and concrete bases.
 - b. Abatement of asbestos suspected on insulated boiler headers.
 - c. Abatement of asbestos suspected on insulated breeching
 - d. Abatement of asbestos containing pipe and fitting insulation from existing, to remain piping found within the boiler room.
 - e. Removal, demolition and disposal of abandoned, pump systems and associated components found throughout main boiler room area.

- **Exclusion**
 - Ceiling: if tested positive only areas needed for boiler installation will be abated, remaining areas are excluded.
 - Tunnels are excluded.

BOILER ROOM #2 (HOT WATER):

Two (2) existing Cleaver Brooks boilers are to be demolished and removed. Three (3) Aerco BMK-5000 condensing boilers are to be installed per the following scope of work.

- **Demolish:** Remove and dispose of two existing Cleaver Brooks (10,461MBH input) heating hot water boilers.
 - Disconnect existing supply & return piping back to first isolation valves. (Isolation vales to remain)
 - Disconnect existing electric services and ready for new boilers
 - Disconnect existing natural gas and prepare for new gas piping.
 - Disconnect and remove existing boilers breeching and all associated specialties, hangers, supports etc. in their entirety.
 - Existing secondary pumps are to remain and be reused.

- **Install:** Three new Aerco BMK-5000 Benchmark Platinum condensing boilers per manufacturer's specification, new boilers are rated for 5,000 MBH input each.
 - Install new ancillary equipment such as expansion tanks and air separator, etc.
 - Install new gas connections and gas trains as necessary.
 - Install (3) new air intakes per manufacturer's specification
 - Install new exhaust vents and gang together, these vents are to be connected to a new single wall stainless steel chimney liner that will be installed inside the existing masonry chimney. The new breeching will be double wall AL-29-4C and sized per manufacturer's specification.
 - Install all power and control wiring.
 - Connect new boilers to existing supply and return isolation valves.
 - Install all check valves, pressure gauges, temperature probes, etc. required to bring the job to completion.
 - Install new primary and secondary piping as required.
 - Blank off existing outside air intake louver with insulated metal panel.
 - Some existing to remain piping might become uninsulated due to asbestos abatement. All exiting pipes will be reinsulated.

- Testing, Startup, tuning, and training to be provided by contractor under manufacturer's supervision.

Location	Demolition		Install	
	Boiler	QTY	Boiler	QTY
Wayne Valley High School Hot Water Boiler Room	Cleaver Brooks	2	Aerco-BMK-5000	3

- Exclusions
 - Ameresco excludes any code upgrades, not associated with the boiler installation, required to the boiler room or fire protection systems.
 - Ameresco excludes repairs to existing infrastructure such as existing steam and auxiliary piping beyond the first header isolation valves, excludes header isolation valve replacement.
 - Ameresco excludes piping beyond the boiler room

Asbestos Abatement:

Ameresco proposes to test the two (2) Cleaver Brooks boilers doors and joints as well as testing insulation on pipes, tanks and breeching located within the hot water boiler room, for asbestos. All items that test positive will be abated. For items tested positive, Ameresco proposes asbestos abatement from existing boilers, tanks insulation, piping insulation, and breeching insulation. Abatement activity can be conducted under occupied or unoccupied building conditions. Minimum disturbance to the building occupants can be achieved by utilizing access pits located at exit doors of the steam boiler room. Decontamination chambers can be directly attached to each work area configuration and existing egress points used as separation barriers; the abatement work is as follow:

- Scope: asbestos testing and abatement from boiler room area.
 - a. Abatement of asbestos suspected on (2) boilers inclusive of all components, gaskets, interior brick and concrete bases.
 - b. Abatement of asbestos suspected on insulated boiler headers.
 - c. Abatement of asbestos suspected on insulated breeching
 - d. Abatement of asbestos containing pipe and fitting insulation from existing to remain piping found within the boiler room.
 - e. Removal of insulation from the abandoned tank located in boiler room.
- Exclusions
 - Ceiling: if tested positive only areas needed for boilers installation will be abated, remaining areas are excluded.
 - Tunnels are excluded.

SIZING CONSIDERATIONS

New boiler plants will be sized according to historical weather data, ASHRAE guidelines and input from District personnel. Ameresco believes that reduced capacity boilers can be installed to maintain comfort levels while conserving space in the mechanical equipment room that would allow for better maintenance.

EQUIPMENT, DESIGN AND CONSTRUCTION DOCUMENTATION

Equipment will be identified in submittals provided to District for approval prior to procurement. Documents will be submitted to the engineering maintenance department, for their review and comment. Upon approval, these will constitute the construction documents. Upon completion of the construction phase, the documents will be revised as needed to reflect “As-Built” conditions, and submitted in multiple to District for record.

IMPACT ON FACILITY OPERATIONS AND PERFORMANCE

The new boiler will enhance facility operations by providing new reliable equipment that will last well into the future. Maintenance cost reductions will occur due to new more efficient equipment.

APPENDIX FOR ECM 2: REPLACE BOILERS

I. ENERGY SAVINGS CALCULATIONS

This page is intentionally left blank.

Wayne TPS II	
Energy and Demand Savings Summary	
Measure ID:	2
Measure Name:	Replace Boilers
Measure Location:	
Engineers:	

Site Name:		Valley HS Steam	Valley HS HW	Summary
Item	Units	Savings	Savings	
Electricity				
Energy On-Peak	kWh			0
Energy Off-Peak	kWh			0
Energy Total	kWh	0	0	0
Demand On-Peak, Monthly	kW			0.0
Demand On-Peak, Annual	kW			0.0
Demand Off-Peak, Monthly	kW			0.0
Demand Off-Peak, Annual	kW			0.0
Fossil Fuel				
Natural Gas (NG)	Therms	0	6,022	6,022
Liquid Propane Gas (LPG)	Gallons			0
Steam	Mlbs			0
Fuel Oil, #2	Gallons			0
Fuel Oil, #4	Gallons			0
Fuel Oil, #6	Gallons			0
Miscellaneous	Misc			0
Water				
Water Savings	kGallons			0
Sewer				
Sewer Savings	kGallons			0

**Wayne TPS II
Wayne Valley-High School
Replace Boilers Steam**

TMY-2 Weather Data for Newark, NJ								Existing Occupancy Schedule				Proposed EMS Operating Hours								Proposed		Savings		
Amb. Temp Bin deg. F	Ave Temp deg. F	M.C.W.B deg. F	M.C. Enthalpy Btu/lbma	01-08 Hours	09-16 Hours	17-24 Hours	Total Bin Hours	Occ On-Peak Hrs.	UnOcc On-Peak Hrs.	Occ Off-Peak Hrs.	UnOcc Off-Peak Hrs.	Occ On-Peak Hrs.	UnOcc On-Peak Hrs.	Occ Off-Peak Hrs.	UnOcc Off-Peak Hrs.	Interacted Occ. Heat Load (MBH)	Interacted UnOcc. Heat Load (MBH)	Occ. Heat Usage (MMBTU)	UnOcc. Heat Usage (MMBTU)	Occ Cooling/Heating Energy Consump. (MMBTU)	UnOcc Cooling/Heating Energy Consump. (MMBTU)	Heating Energy Savings (MMBTU)		
A	B	C	D	E	F	G	H	I	J	K	L	M	N	O	P	Q	R	S	T	U	V	W		
Cooling																								
105 to 110	107.5	0.0	0.0	0	0	0	0	0	0	0	0	0	0	0	0									
100 to 105	102.5	0.0	0.0	0	0	0	0	0	0	0	0	0	0	0	0									
95 to 100	97.5	76.0	39.6	0	19	2	21	9	0	2	11	9	0	2	11									
90 to 95	92.5	72.6	36.6	0	44	13	57	23	0	5	29	23	0	5	29									
85 to 90	87.5	69.9	34.2	1	168	60	229	93	0	20	117	93	0	20	117									
80 to 85	82.5	68.2	32.7	31	292	164	487	197	0	42	248	197	0	42	248									
75 to 80	77.5	67.5	32.2	191	246	284	721	292	0	62	367	292	0	62	367									
70 to 75	72.5	64.3	29.7	203	200	229	632	256	0	55	322	256	0	55	322									
65 to 70	67.5	61.2	27.4	335	238	244	817	331	0	70	416	331	0	70	416									
60 to 65	62.5	56.4	24.2	235	250	282	767	311	0	66	390	311	0	66	390									
Heating																								
55 to 60	57.5	52.0	21.5	317	250	245	812	329	0	70	413	329	0	70	413	(482)	0	0	0	0	0	0		
50 to 55	52.5	46.2	18.3	266	239	248	753	305	0	65	383	305	0	65	383	(638)	(81)	0	0	0	0	0		
45 to 50	47.5	42.1	16.2	144	145	181	470	190	0	41	239	190	0	41	239	(793)	(242)	0	45	0	45	0		
40 to 45	42.5	38.1	14.4	232	184	232	648	262	0	56	330	262	0	56	330	(949)	(404)	21	126	21	126	0		
35 to 40	37.5	33.2	12.2	284	202	249	735	298	0	63	374	298	0	63	374	(1,104)	(565)	93	217	93	217	0		
30 to 35	32.5	28.7	10.4	248	203	198	649	263	0	56	330	263	0	56	330	(1,260)	(727)	142	257	142	257	0		
25 to 30	27.5	24.4	8.7	121	115	113	349	141	0	30	178	141	0	30	178	(1,415)	(888)	109	173	109	173	0		
20 to 25	22.5	20.8	7.4	149	68	97	314	127	0	27	160	127	0	27	160	(1,571)	(1,050)	127	187	127	187	0		
15 to 20	17.5	15.9	5.7	95	40	46	181	73	0	16	92	73	0	16	92	(1,726)	(1,211)	90	126	90	126	0		
10 to 15	12.5	10.9	4.1	39	9	28	76	31	0	7	39	31	0	7	39	(1,882)	(1,373)	45	61	45	61	0		
5 to 10	7.5	5.1	2.3	21	5	5	31	13	0	3	16	13	0	3	16	(2,037)	(1,534)	21	28	21	28	0		
0 to 5	2.5	1.1	1.2	4	2	0	6	2	0	1	3	2	0	1	3	(2,193)	(1,696)	5	6	5	6	0		
-5 to 0	(2.5)	(1.6)	0.4	4	0	0	4	2	0	0	2	2	0	0	2	(2,348)	(1,858)	3	4	3	4	0		
-10 to -5	(7.5)	0.0	0.0	0	0	0	0	0	0	0	0	0	0	0	0	(2,504)	(2,019)	0	0	0	0	0		
-15 to -10	(12.5)	0.0	0.0	0	0	0	0	0	0	0	0	0	0	0	0	(2,659)	(2,181)	0	0	0	0	0		
-20 to -15	(17.5)	0.0	0.0	0	0	0	0	0	0	0	0	0	0	0	0	(2,815)	(2,342)	0	0	0	0	0		
-25 to -20	(22.5)	0.0	0.0	0	0	0	0	0	0	0	0	0	0	0	0	(2,970)	(2,504)	0	0	0	0	0		
				2,920	2,919	2,920	8,759	3,546	0	756	4,458	3,546	0	756	4,458			657	1,230	657	1,230	0		

Cell Ref.	Comment
A-H	TMY-2 Weather Data for Newark, NJ
I - L	Occupied hours as per the RFP data
M - P	Equipment operating hours after EMS is installed
Q	Interacted Occupied Heating loads (MBH)
R	Interacted Unoccupied Heating loads (MBH)
S	Heating = -(MIN([col I] + [col K], [col M] + [col O]) x MIN([col Q] + internal gains, 0) + IF([col I] + [col K] > [col M] + [col O], ([col I] + [col K]) - ([col M] + [col O]) x MIN([col R] + internal gains, 0, 0)) ÷ 1,000 ÷ R43
T	Heating = -(MIN([col N] + [col P]) x MIN([col R] + internal gains, 0) + IF([col I] + [col K] < [col M] + [col O], ([col M] + [col O]) - ([col I] + [col K]) x MIN([col Q] + internal gains, 0, 0)) ÷ 1,000 ÷ R43
U	Heating = -(MIN([col I] + [col K], [col M] + [col O]) x MIN([col Q] + internal gains, 0) + IF([col I] + [col K] > [col M] + [col O], ([col I] + [col K]) - ([col M] + [col O]) x MIN([col R] + internal gains, 0, 0)) ÷ 1,000 ÷ R44
V	Heating = -(MIN([col N] + [col P]) x MIN([col R] + internal gains, 0) + IF([col I] + [col K] < [col M] + [col O], ([col M] + [col O]) - ([col I] + [col K]) x MIN([col Q] + internal gains, 0, 0)) ÷ 1,000 ÷ R44
W	= [col S] + [col T] - [col U] - [col V]

Assumptions:	Value	Unit	CELL	Description
			REF	
Existing Heating Plant Efficiency	82.0%		R43	Baseline Boiler Efficiency
Proposed Heating Plant Efficiency	82.0%		R44	Proposed Boiler Efficiency

**Wayne TPS II
Wayne Valley-High School
Replace Boilers Hot Water**

TMY-2 Weather Data for Newark, NJ								Existing Occupancy Schedule								Proposed EMS Operating Hours								Proposed		Savings
Amb. Temp Bin deg. F	Ave Temp deg. F	M.C.W.B deg. F	M.C. Enthalpy Btu/lbma	01-08 Hours	09-16 Hours	17-24 Hours	Total Bin Hours	Occ On- Peak Hrs.	UnOcc On- Peak Hrs.	Occ Off- Peak Hrs.	UnOcc Off- Peak Hrs.	Occ On- Peak Hrs.	UnOcc On- Peak Hrs.	Occ Off- Peak Hrs.	UnOcc Off- Peak Hrs.	Interacted Occ. Heat Load (MBH)	Interacted UnOcc. Heat Load (MBH)	Occ. Heat Usage (MMBTU)	UnOcc. Heat Usage (MMBTU)	Occ Cooling/Hea ting Energy Consump. (MMBTU)	UnOcc Cooling/Hea ting Energy Consump. (MMBTU)	Heating Energy Savings (MMBTU)				
A	B	C	D	E	F	G	H	I	J	K	L	M	N	O	P	Q	R	S	T	U	V	W				
Cooling																										
105 to 110	107.5	0.0	0.0	0	0	0	0	0	0	0	0	0	0	0	0											
100 to 105	102.5	0.0	0.0	0	0	0	0	0	0	0	0	0	0	0	0											
95 to 100	97.5	76.0	39.6	0	19	2	21	9	0	2	11	9	0	2	11											
90 to 95	92.5	72.6	36.6	0	44	13	57	23	0	5	29	23	0	5	29											
85 to 90	87.5	69.9	34.2	1	168	60	229	93	0	20	117	93	0	20	117											
80 to 85	82.5	68.2	32.7	31	292	164	487	197	0	42	248	197	0	42	248											
75 to 80	77.5	67.5	32.2	191	246	284	721	292	0	62	367	292	0	62	367											
70 to 75	72.5	64.3	29.7	203	200	229	632	256	0	55	322	256	0	55	322											
65 to 70	67.5	61.2	27.4	335	238	244	817	331	0	70	416	331	0	70	416											
60 to 65	62.5	56.4	24.2	235	250	282	767	311	0	66	390	311	0	66	390											
Heating																										
55 to 60	57.5	52.0	21.5	317	250	245	812	329	0	70	413	329	0	70	413	(945)	0	26	0	24	0	3				
50 to 55	52.5	46.2	18.3	266	239	248	753	305	0	65	383	305	0	65	383	(1,250)	(158)	169	34	152	31	20				
45 to 50	47.5	42.1	16.2	144	145	181	470	190	0	41	239	190	0	41	239	(1,555)	(475)	196	118	177	107	31				
40 to 45	42.5	38.1	14.4	232	184	232	648	262	0	56	330	262	0	56	330	(1,860)	(792)	394	297	356	268	68				
35 to 40	37.5	33.2	12.2	284	202	249	735	298	0	63	374	298	0	63	374	(2,165)	(1,109)	588	489	531	441	106				
30 to 35	32.5	28.7	10.4	248	203	198	649	263	0	56	330	263	0	56	330	(2,470)	(1,425)	644	566	581	510	119				
25 to 30	27.5	24.4	8.7	121	115	113	349	141	0	30	178	141	0	30	178	(2,775)	(1,742)	413	376	373	339	78				
20 to 25	22.5	20.8	7.4	149	68	97	314	127	0	27	160	127	0	27	160	(3,080)	(2,059)	432	404	390	364	82				
15 to 20	17.5	15.9	5.7	95	40	46	181	73	0	16	92	73	0	16	92	(3,385)	(2,376)	284	270	256	244	54				
10 to 15	12.5	10.9	4.1	39	9	28	76	31	0	7	39	31	0	7	39	(3,690)	(2,693)	134	129	121	116	26				
5 to 10	7.5	5.1	2.3	21	5	5	31	13	0	3	16	13	0	3	16	(3,995)	(3,009)	61	59	55	53	12				
0 to 5	2.5	1.1	1.2	4	2	0	6	2	0	1	3	2	0	1	3	(4,300)	(3,326)	13	13	12	11	3				
-5 to 0	(2.5)	(1.6)	0.4	4	0	0	4	2	0	0	2	2	0	0	2	(4,605)	(3,643)	9	9	8	8	2				
-10 to -5	(7.5)	0.0	0.0	0	0	0	0	0	0	0	0	0	0	0	0	(4,910)	(3,960)	0	0	0	0	0				
-15 to -10	(12.5)	0.0	0.0	0	0	0	0	0	0	0	0	0	0	0	0	(5,215)	(4,276)	0	0	0	0	0				
-20 to -15	(17.5)	0.0	0.0	0	0	0	0	0	0	0	0	0	0	0	0	(5,520)	(4,593)	0	0	0	0	0				
-25 to -20	(22.5)	0.0	0.0	0	0	0	0	0	0	0	0	0	0	0	0	(5,825)	(4,910)	0	0	0	0	0				
				2,920	2,919	2,920	8,759	3,546	0	756	4,458	3,546	0	756	4,458			3,364	2,764	3,033	2,493	602				

Cell Ref.	Comment
A-H	TMY-2 Weather Data for Newark, NJ
I-L	Occupied hours as per the RFP data
M-P	Equipment operating hours after EMS is installed
Q	Interacted Occupied Heating loads (MBH)
R	Interacted Unoccupied Heating loads (MBH)
S	Heating = -(MIN([col I] + [col K],[col M] + [col O]) x MIN([col Q] + internal gains,0) + IF([col I] + [col K] > [col M] + [col O],[col I] + [col K]) - ([col M] + [col O]) x MIN([col R] + internal gains,0,0)) ÷ 1,000 ÷ R43
T	Heating = -(([col N] + [col P]) x MIN([col R] + internal gains,0) + IF([col I] + [col K] < [col M] + [col O],[col I] + [col K]) - ([col I] + [col K])) x MIN([col Q] + internal gains,0,0)) ÷ 1,000 ÷ R43
U	Heating = -(MIN([col I] + [col K],[col M] + [col O]) x MIN([col Q] + internal gains,0) + IF([col I] + [col K] > [col M] + [col O],[col I] + [col K]) - ([col M] + [col O]) x MIN([col R] + internal gains,0,0)) ÷ 1,000 ÷ R44
V	Heating = -(([col N] + [col P]) x MIN([col R] + internal gains,0) + IF([col I] + [col K] < [col M] + [col O],[col I] + [col K]) - ([col I] + [col K])) x MIN([col Q] + internal gains,0,0)) ÷ 1,000 ÷ R44
W	= [col S] + [col T] - [col U] - [col V]

Assumptions:	Value	Unit	CELL	Description
			REF	
Existing Heating Plant Efficiency	78.0%		R43	Baseline Boiler Efficiency
Proposed Heating Plant Efficiency	86.5%		R44	Proposed Boiler Efficiency

This page is intentionally left blank.

APPENDIX FOR ECM 2: REPLACE BOILERS

II. MANUFACTURER SPECIFICATION SHEETS

This page is intentionally left blank.

Technical Data Sheet

Benchmark Platinum 750-6000 with Edge Controller High Efficiency Boilers

The AERCO Benchmark® (BMK) Platinum water boiler is designed for condensing application in any closed loop hydronic system. It delivers burner modulation to match energy input directly to fluctuating system loads to yield the highest possible seasonal efficiencies. And no other product packs as much capacity into such a small footprint.

Platinum exclusives:

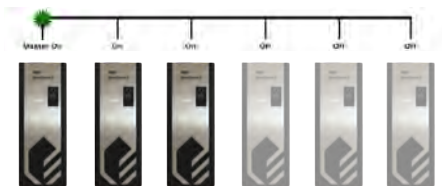
- AERtrim patented O₂ Trim technology provides precise combustion (standard)
- Edge® Controller and Mobile App – advanced features including seven industry-first's
- Dual Return water connections enable maximum efficiency and application flexibility (standard)
- onAER Predictive Maintenance pro-active performance analytics tool
- Industry-best warranty

Energy Efficient

To minimize emissions, the BMK Series is fitted with a low NO_x burner whose emissions will meet the most stringent NO_x and CO requirements. The fully modulating burner also maintains AERCO standards for energy efficiency, longevity, reliability and construction quality. The BMK Platinum Series comes standard with AERCO's patented AERtrim™ system, an innovative O₂ trim system for condensing boilers, that self-adjusts and maintains air-fuel ratios at optimum levels for peak efficiency, low emissions and maximum uptime reliability in event of any site condition changes (air density, gas pressure, BTU content, etc.) which can be detrimental to efficiency, stability and reliability. Oxygen levels can be directly displayed on the unit in real time or be remotely monitored via onAER®, BACnet or Modbus, giving our customers the ability to measure the emissions level and fuel economy of the boiler without traditional combustion calibration devices.

Application and Plant Design

Benchmark boilers can be used as individual units or in modular arrangements. In addition to controlling the boiler according to a constant set point, indoor/outdoor reset schedule or 4-20mA signal, one or more units can be integrated via Modbus communications protocol. For boiler plants ranging from 2-16 boilers, AERCO'S built-in Boiler Sequencing Technology (BST) can be utilized. The built-in Edge [ii] control is capable of controlling up to two groups of boilers. It manages a group of heating boilers with lead rotation as well as a group of domestic hot water boilers with their own lead rotation.



*See BST System technical data sheet for additional system details and capabilities

It also manages a group of swing boilers and their swing valves directing the swing boilers output to heating or domestic loops based on the priority settings. In addition, the Benchmark with Edge [ii] control has integrated solutions for multiple Building Management system protocols. BMK Platinum models also come standard with dual return connections for optimal application flexibility and seasonal efficiency gains of up to 7%.

onAER Predictive Maintenance

BMK Platinum boilers come onAER-ready and with a 5-year subscription of onAER standard. AERCO's onAER service is a premiere online service which grants the user remote access to view boiler plant operation and status, track performance and efficiency, and set and view alerts such as faults or maintenance. The onAER service can be set to provide alerts to local trained technicians, offering additional peace of mind and ensuring the utmost uptime reliability.

Features

- Natural gas, propane, or dual fuel (model dependent)
- 20:1 turndown ratio (5%) depending on capacity
- Stainless steel fire tube heat exchanger
- Capable of variable primary flow Installations
- NOx emissions capable of 9PPM or less @ all firing rates depending on capacity
- Compact footprint
- Standard dual return water connections
- Ducted combustion air capable
- Easy open access for service
- Acceptable vent materials AL29-4C, Polypropylene, PVC, cPVC (model dependent)
- Reliable quiet operation
- 15 year heat exchanger warranty
- Optional gas train with VPS (Value Proving System) for BMK Platinum 4000/5000/6000

Edge [ii]

- AERtrim system standard
- Precise temperature control
- On-board boiler sequencing technology (BST)
- BST minimum number of open valves
- Equipped with EZ setup
- Integrated BACnet IP, BACnet MS/TP, Modbus IP and Modbus RTU communication
- System pump lead-lag rotation
- Variable speed pump control
- Communicates to and controls multiple SmartPlates®
- Built-in Bluetooth® for smart devices' app communication
- Simple combination plant setup and control
- Balancing valve control simplifies commissioning
- Controls options:
 - Constant setpoint
 - Indoor/outdoor reset
 - Remote setpoint
 - 4-20mA signal or ModBus

Ratings

BMK Platinum	Min Input MBH	Max Input MBH	Max Output ¹ MBH	Efficiency Range	Thermal Efficiency 80° to 180°F
750	50	750	653-720	87%-98%	95.6%
1000	50	1000	870-960	87%-98%	96.8%
1500	75	1500	1305-1425	87%-98%	94.6%
2000	100	2000	1740-1900	87%-98%	94.6%
2500	167	2500	2175-2360	87%-98%	93.5%
3000	200	3000	2610-2880	87%-98%	93.5%
4000 ²	267	4000	3480-3920	87%-98%	94.3%
→ 5000	400	5000	4350-4800	87%-98%	93.9%
6000	400	6000	5220-5670	87%-98%	94.5%

¹Max output dependent upon application – see efficiency curves

²Data listed is preliminary and is subject to change without notice.

Specifications

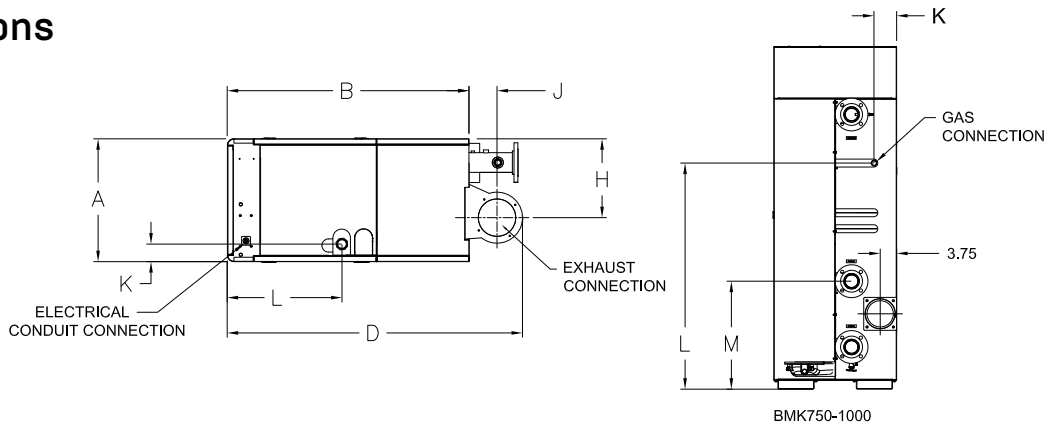


	BMK Platinum									
	750	1000	1500	2000	2500	3000	4000 ⁴	5000	6000	
Boiler Category	ASME Sect.IV	ASME Sect.IV	ASME Sect.IV	ASME Sect.IV	ASME Sect.IV	ASME Sect.IV	ASME Sect.IV	ASME Sect.IV	ASME Sect.IV	
Gas Connections (NPT)	1"	1"	2"	2"	2"	2"	3"	2 / 3"	2 / 3"	
Max. Gas Pressure	14"	14"	14"	14"	14"	14"	14"	2psi/10" ⁴	2psi/10" ⁴	
Min. Gas Pressure ¹	4"	4"	4"	4"	4"	4"	4"	14 / 4" ⁴	14 / 4" ⁴	
Max. Allowed Working Pressure	160 PSIG	160 PSIG	160 PSIG	160 PSIG	160 PSIG	160 PSIG	160 PSIG	80PSIG/ 150 PSIG Optional	80 PSIG/ 150 PSIG Optional	
Electrical Req. 120V/1PH/60Hz ²	13 FLA	13 FLA	16 FLA	16 FLA	N/A	N/A	N/A	N/A	N/A	
Electrical Req. 208V/3PH/60Hz ²	N/A	N/A	N/A	N/A	10 FLA	10 FLA	30 FLA	19 FLA	19 FLA	
Electrical Req. 460V/3PH/60Hz ²	N/A	N/A	N/A	N/A	5 FLA	5 FLA	12 FLA	9 FLA	9 FLA	
Electrical Req. 575V/3PH/60Hz ²	N/A	N/A	N/A	N/A	N/A	N/A	N/A	7 FLA	7 FLA	
Water Connect. (Flanged)	3"	3"	4"	4"	4"	4"	6"	6"	6"	
Min. Water Flow (GPM)	12	12	25	25	25	25	35	75	75	
Max. Water Flow (GPM)	175	175	250	350	350	350	500	600	600	
Water Volume Gallons	16.25	14.25	44	40	58	55	75	110	110	
Water Pressure Drop	3.0 PSIG @100 GPM	3.0 PSIG @100 GPM	3.0 PSIG @170 GPM	3.0 PSIG @170 GPM	3.0 PSIG @218 GPM	3.0 PSIG @261 GPM	5.0 PSIG @475 GPM	4.0 PSIG @500 GPM	4.0 PSIG @500 GPM	
Turndown Ratio	15:1 (7%)	20:1 (5%)	20:1 (5%)	20:1 (5%)	15:1 (7%)	15:1 (7%)	15:1 (7%)	12:1 (8%)	15:1 (7%)	
Vent/Air Intake Connections	6 Inch	6 Inch	6 Inch	8 Inch	8 Inch	8 Inch	12 Inch	14 Inch Optional/ 12 Inch Flue Venting	14 Inch Optional/ 12 Inch Flue Venting	
Vent Materials	AL29-4C Polypro, CPVC, PVC	AL29-4C Polypro, CPVC, PVC	AL29-4C Polypro	AL29-4C Polypro	AL29-4C Polypro	AL29-4C Polypro	AL29-4C Polypro	AL29-4C Polypro	AL29-4C Polypro	
Type of Gas	Natural Gas, Propane		Natural Gas, Propane, Dual Fuel, Natural Gas,					Natural Gas, Dual Fuel		
NOx Emissions <9ppm Capability ⁴	✓	✓	✓	✓	<13 ppm	<13 ppm	✓	✓	✓	
Temp. Control Range	50°F to 190°F									
Ambient Temp. Range	0°F to 130°F									
Standard Listings & Approvals	UL, CUL, CSD-1, ASME*									
Gas Train Operations	FM Compliant or Factory Installed DBB (IRI)						FM Compliant or Factory Installed DBB (IRI), VPS (Value Proving System)	FM Compliant, VPS (Value Proving System)		
Sound Rating dbA	65	65	70	70	72	72	75	79	79	
Weight (dry) lbs.	669	700	1406	1500	2000	2500	2500	3000	3000	
Shipping Weight lbs.	862	900	1606	1700	2200	2370	2700	3800	3800	

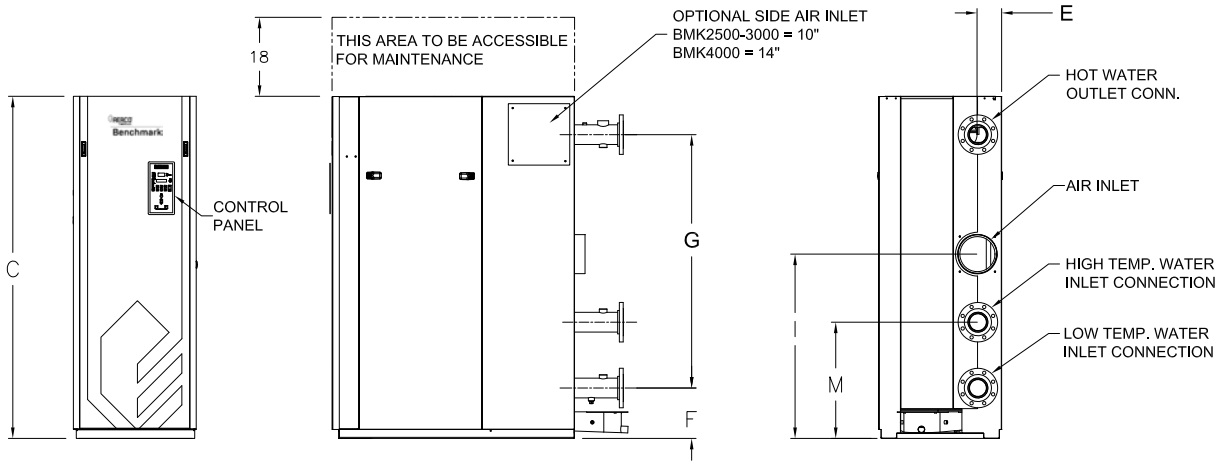
1. Values are for natural gas FM compliant gas trains only. See Benchmark Gas Components & Supply Design Guide GF-2030 for propane, DBB & dual fuel gas train minimum gas pressure requirements.
 2. See Benchmark Electrical Power Guide GF-2060 for Service Disconnect Switch amperage requirements.
 3. BMK5000/6000 operating at standard gas pressure (>14" W.C.) can achieve 9 ppm NOx.
 4. BMK5000/6000 low gas pressure option is available as a different style number. It operates between 4" and 10" of gas pressure.
- * BMK4000 UL/CUL is pending approval

Dimensions

750-4000



BMK750-1000

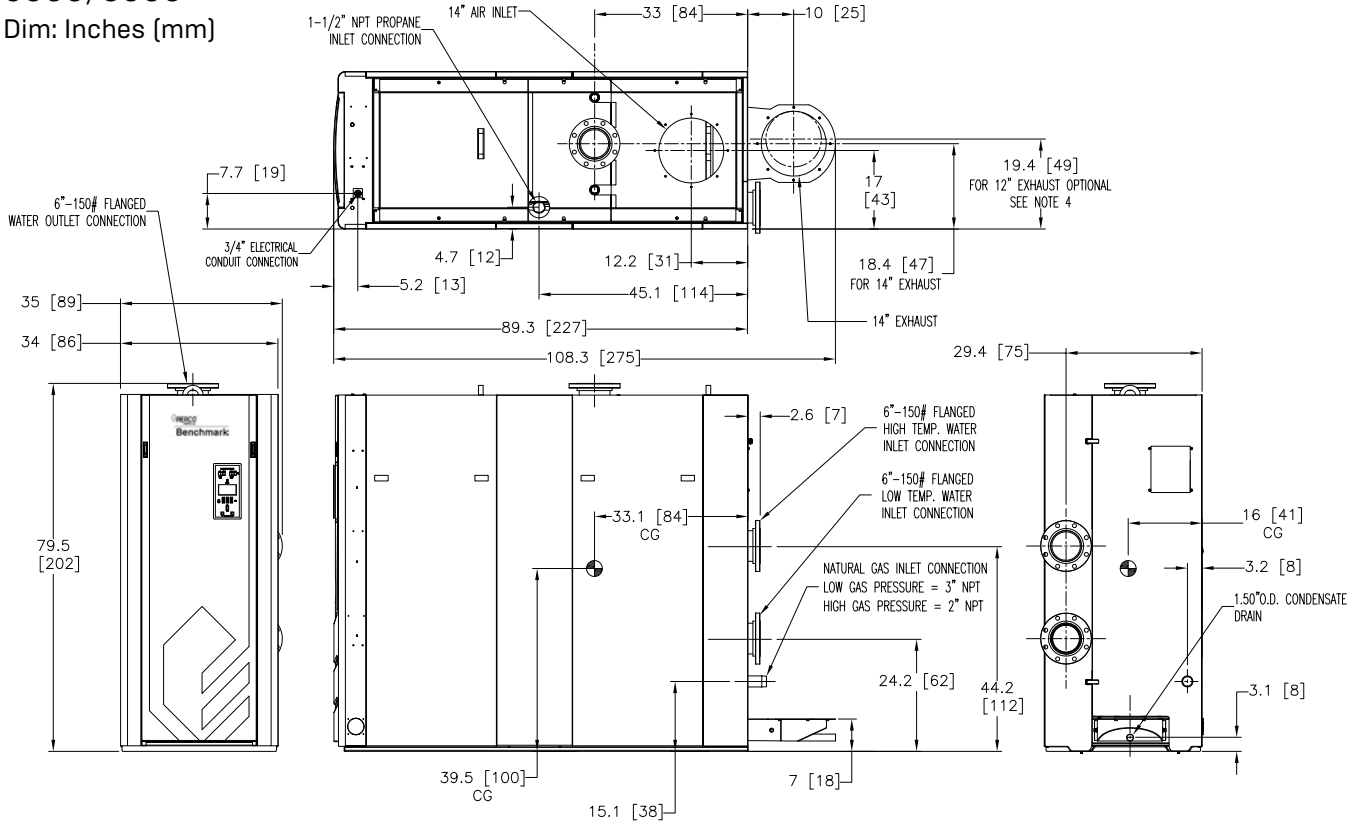


BMK Models	(Width) A	(Depth) B	(Height) C	D	E	F	G	H	I	J	K	L	M
750	28"	24.5"	78"	34"	10.2"	9.6"	53"	21"	17.1"	4.5'	5.1"	51.5"	24.6"
1000	28"	25"	78"	34"	10.2"	9.6"	53"	21"	17.1"	4.5"	5.1"	51.5"	24.6"
1500	28"	43.6"	78"	58.4"	6.6"	11.5"	57.8"	18"	42"	8.9"	4.4"	19.1"	26.5"
2000	28"	43.6"	78"	58.4"	7"	11.5"	57.8"	18"	42"	8.9"	4.4"	19.1"	26.5"
2500	28"	56"	78"	68.4"	5.6"	11.5"	57.8"	18"	42"	6.4"	4.4"	27.1"	26.5"
3000	28"	56"	78"	68.4"	5.6"	11.5"	57.8"	18"	42"	6.4"	4.4"	27.1"	26.5"
4000	34"	63.5"	78.2"	80.6"	6"	12.4"	56"	21.4"	44.4"	9"	5.5"	28.7"	27.4"

Dimensions

5000/6000

Dim: Inches (mm)



BMK Models	[Width] A	[Depth] B	[Height] C
→ 5000	35"	89.3"	79.8"
6000	35"	89.3"	79.8"



Heating and Hot Water Solutions

AERCO International, Inc. • 100 Oritani Drive • Blauvelt, NY 10913
 USA: T: (845) 580-8000 • Toll Free: (800) 526-0288 • AERCO.com

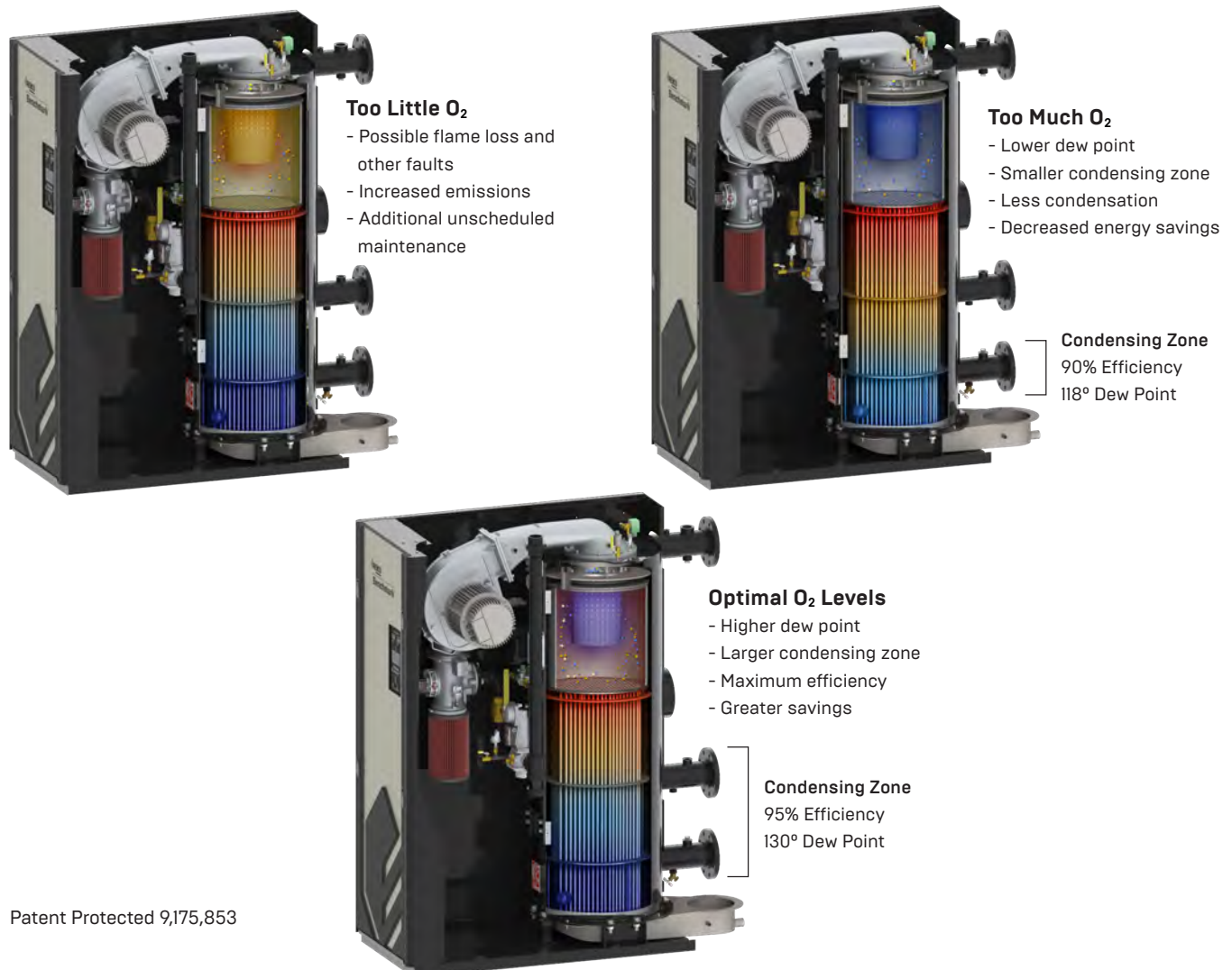
Technical Data Sheet

AERtrim™ System for Benchmark Boilers

AERCO's AERtrim is a patented, innovative O₂-trim system for condensing boiler applications, built on the Benchmark's original O₂ monitoring system. It utilizes a low cost, reliable automotive O₂ sensor to monitor O₂ levels (and hence combustion efficiency), and adjust the blower speed to maintain air-fuel ratios at optimum levels for peak efficiency and maximum uptime reliability. The system will self adjust in the event of any site condition changes (air density, gas pressure, BTU content, etc) which can be detrimental to efficiency, stability and reliability.

This system can save customers thousands of dollars by maintaining optimal efficiency, and also saves costly technician visits, should the site experience drastic changes in site conditions. Likewise, the system can offer savings in maintenance costs since it can help extend life of burner and combustion chamber components. The system is a fraction of the cost of other O₂-trim systems and can possibly pay for itself in 3 years or less.

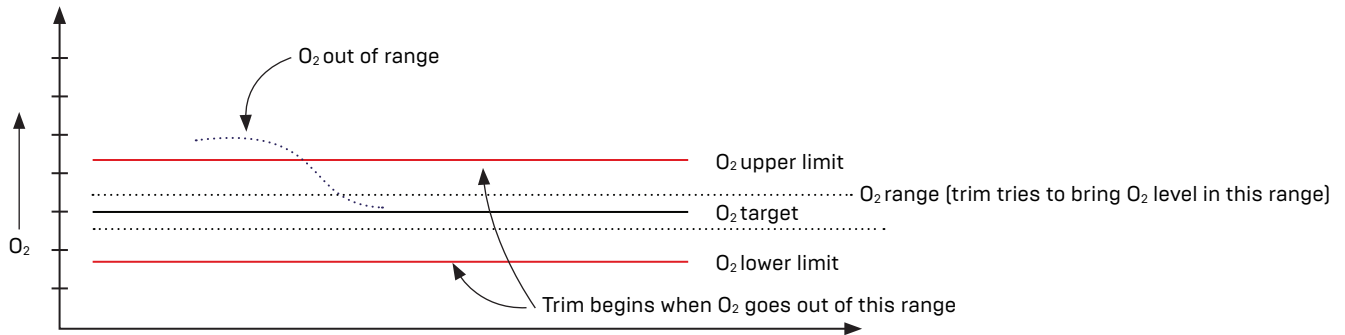
The AERtrim system is standard on the Benchmark® Platinum. The system features self-diagnostic capability such as when excessive trimming is occurring (indicative of a possible system issue) or when the O₂ sensor has fallen out of calibration. It is a system solution which maximizes efficiency, flexibility, uptime reliability and peace of mind. No other commercial manufacturer comes even close to offering a low cost option like AERCO's AERtrim system.



Features

- Standard on all Benchmark® Platinum boilers
- Ensures maximum combustion efficiency
- Operational costs savings
- Maximizes uptime reliability
- Self diagnostics
- Low cost sensor
- System flexibility, automatically adjusts to site conditions changes resulting from:
 - Gas pressure changes
 - Flue and air blockage
 - Fuel BTU content
- User adjustable parameters
- Extend life of burner components

Sequence of Operation



Savings Value

AERCO's AERtrim system is anticipated to yield an additional 1-2% fuel savings over the course of a heating season. Below is an estimated fuel savings cost based on efficiency percentage gain.

BMK Platinum Model	0.5%	1%	1.5%	2%	2.5%
750	\$65.42	\$130.00	\$194.14	\$257.25	\$319.88
1000	\$87.22	\$173.35	\$258.85	\$343.00	\$426.50
1500	\$130.83	\$260.00	\$388.28	\$514.50	\$639.75
2000	\$174.44	\$346.70	\$517.70	\$686.00	\$853.00
2500	\$218.05	\$433.40	\$647.13	\$857.50	\$1,066.25
3000	\$261.66	\$520.00	\$776.55	\$1,029.00	\$1,279.50
5000	\$436.10	\$866.80	\$1294.26	\$1715.00	\$2132.50
6000	\$523.32	\$1040.00	\$1553.10	\$2058.00	\$2559.00

*Estimated fuel savings based on a \$1/Therm cost; units operating on an outdoor air reset schedule for a total of 7338 run hours.

**Results may vary depending on operating conditions, fuel costs, etc.

***Consult AERtrim O&M manual or Benchmark® Platinum O&M manual for additional operation information.

Specifications

Standard Listings and Approvals: UL, CUL



Heat | Hot Water | Energy Recovery Solutions

AERCO International, Inc. • 100 Oritani Drive • Blauvelt, NY 10913

USA: T: (845) 580-8000 • Toll Free: (800) 526-0288 • AERCO.com

This page is intentionally left blank.



V SERIES

TECHNICAL DATA INFORMATION PACKET

**INDUSTRIAL
COMBUSTION**



Technical Data

V Series

Uncontrolled Emissions Configuration (VG, VL, VLG)

1.3 - 16.8 MM BTU/H NG; 9.3 - 120 GPH #2 OIL

UL listed with choice of NFPA, CSD-1, GAP, and FM for U.S. or Canadian units

Standard equipment:	Combustion Control System options:	Fuel options:
3450 RPM motor, panel signal lights (Power On, Main Fuel, Ignition, Flame Failure), combustion air proving switch, safety shutoff valves, 120/1/60 control circuit, burner mounted panel with standard or inverted configuration, and a shipped loose gas train (where applicable).	Parallel Positioning Combustion Control System with O ₂ Trim and Variable Frequency Drive (VFD)	Main Fuel: Natural gas (VG), #2 oil - pressure atomized (VL) or Combination gas/ #2 oil - pressure atomized (VLG). Igniter Fuel: Natural gas and/or propane. Fuel Changeover Switch: Combination gas/oil units only (VLG).

Series Features

◊ Optional Feature



Flame Safeguard	V-13 to V-25	V-30 to V-34	V-35 to V-40	V-42 to V-55	V-60 to V-63	V-70 to V-100	V-105 to V-168
Limited Damper Purge Control with UV Scanner	● ¹	● ¹	● ¹	● ¹	● ¹		
Open Damper Purge Control with UV Scanner	◊	◊	◊	◊	◊	•	•
Turndown							
Up to 10:1 on Natural Gas	● ²	● ²	● ²	● ²	● ²	● ²	● ²
Mode of Operation							
On-Off Firing	•						
Low-High-Off Firing	◊	•	•	•	•		
Low-High-Low Firing	◊	◊	◊	◊	◊		
Full Modulation Firing	◊	◊	◊	◊	◊	•	•
Auto-Manual Firing Rate Control	● ³	● ³	● ³	● ³	● ³	● ³	● ³
Ignition							
Gas/Electric Pilot and Ignition Transformer (VG/VLG)	● ⁴	● ⁴	● ⁴	● ⁴	•	•	•
Dual Ignition (VLG)	◊	◊	◊	◊	◊		
Direct Spark (VL)	•	•	•	•			
Oil Components							
Directly Driven Oil Pump Set	•	•	•	•			
Separately Driven Oil Pump Set	◊	◊	◊	◊	•	•	•
Simplex Oil Nozzle	•	•					
Return Flow Oil Nozzle	◊	•	•	•	•	•	•
Gas Components							
Butterfly Rate Control Valve	◊ ⁵	•	•	•	•	•	•
High & Low Gas Pressure Interlocks	◊	•	•	•	•	•	•
Gas Shutoff Cocks (2)	•	•	•	•	•	•	•

¹ LDP (60% air above 2,500 - 6,300 MBH); <2,500 MBH, purge is at low-fire damper setting

² High turndown on gas requires the Siemens SQM mod motor or a parallel positioning system (VLG burners only)

³ Standard for full modulation; optional on select parallel positioning systems

⁴ Optional for VL models 13-55

⁵ Standard for low-high or full modulation

Standard Ratings

V Series

VG - VL - VLG: Gas, #2 Oil, Gas/Oil Configuration

Model No. & Frame Size	Gas Input MBH	Oil Input GPH	BHP @ 80% Eff.	Blower Motor HP ¹	Blower Motor HP ²	Remote Oil Pump Motor HP ³	Furnace Pressure ("w.c.)	Standard Gas Train Pipe Size (in.)	Min. Gas Pressure ("w.c.) ⁵
V-13-1	1,300	9.3	31	1/2	3/4	1/2	0.4	1	8.6/9.2 ⁵
V-15-1	1,500	10.7	36	1/2	3/4	1/2	0.5	1	11.4/11.7 ⁵
V-17-1	1,700	12.1	40	1/2	3/4	1/2	0.7	1	14.3/14.7 ⁵
V-20-1	2,000	14.3	48	3/4	1	1/2	0.9	1	19.7/20.2 ⁵
V-21-1	2,100	15.0	50	3/4	1	1/2	1.0	1	21.5/22.1 ⁵
V-25-1	2,500	17.9	60	3/4	1	1/2	1.2	1 1/2	9.6/10.4 ⁵
V-30-1	3,000	21.4	71	3/4	1	1/2	1.4	2	8.7
V-34-1	3,400	24.3	81	3/4	1	1/2	1.8	2	10.3
V-35-2	3,500	25.0	83	1	1 1/2	1/2	1.9	2	8.1
V-40-2	4,000	28.6	95	1	1 1/2	1/2	1.2	2	10.4
V-42-2	4,200	30.0	100	1 1/2 ⁴	2	1/2	1.3	2	11.5
V-45-2	4,500	32.1	107	2	2	1/2	1.4	2	10.8
V-50-2	5,000	35.7	119	2	3	3/4	1.8	2	13.6
V-54-2	5,400	38.6	129	3	3	3/4	2.1	2	19.2
V-55-2	5,500	39.3	131	3	3	3/4	2.2	2	19.7
V-60-3	6,000	42.9	143	5	-	3/4	2.7	2	17.6
V-63-3	6,300	45.0	150	5	-	3/4	1.8	2	19.3
V-70-3	7,000	50.0	167	5	-	3/4	2.2	2 1/2	15.7
V-80-3	8,000	57.1	190	5	-	1	2.8	2 1/2	14.8
V-84-3	8,400	60.0	200	7 1/2	-	1	3.1	2 1/2	15.2
V-90-3	9,000	64.3	214	7 1/2	-	1 1/2	3.5	2 1/2	17.4
V-100-3	10,000	71.4	238	10	-	1 1/2	2.7	2 1/2	20.5
V-105-3	10,500	75.0	250	10	-	1 1/2	2.8	2 1/2	44.7
V-110-3	11,000	78.6	262	10	-	1 1/2	3.0	2 1/2	48.7
V-120-4	12,000	85.7	286	15	-	1 1/2	3.6	2 1/2	34.2
V-126-4	12,600	90.0	300	15	-	1 1/2	4.3	2	49.1
V-147-4	14,700	105.0	350	15	-	1 1/2	4.3	2	2.5 PSI
V-168-4	16,800	120.0	400	15	-	1 1/2	1.0	2	3.1 PSI

115 / 230 / 1

208 / 230 / 460 / 3

460 / 3

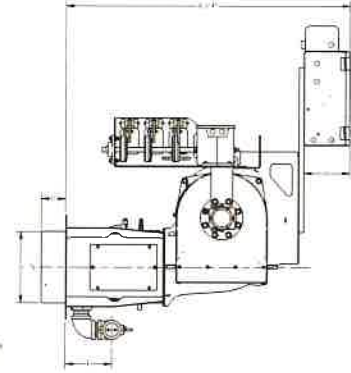
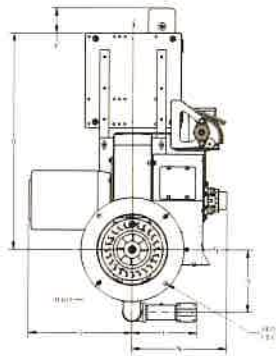
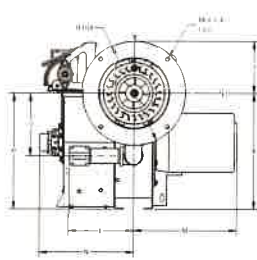
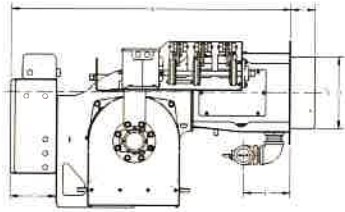
¹ Motor ratings for gas only or gas/oil burners using a remote oil pump
² Motor ratings for oil only and gas/oil burners using a direct drive oil pump
³ Remote oil pump is optional for frame size 1 and 2 but standard for frame sizes 3 and 4. All pump motors are 115/230/1
⁴ 1 1/2 HP blower motor voltage is 115/230/1
⁵ Low/High and Full Modulation minimum gas pressure
⁶ Lower gas supply pressure configurations available for New York City requirements

Input is based on fuel BTU content, listed furnace pressure and altitude of 2,000 feet or less. If altitude > 2,000 feet and < 8,000 feet, derate capacity 4% per 1,000 feet over 2,000. Consult factory for higher altitudes. If furnace pressure exceeds listed value, derate capacity 5% for every 0.5" w.c. of pressure in excess of stated. Consult factory if derate exceeds 20%. Gas input is based on natural gas with 1,000 BTU/cu.ft. and 0.60 gravity. For total pressure at manifold, add furnace pressure. Oil input based on 140,000 BTU/gal. Consult factory for 50 Hz. applications.

Standard Dimensions

V Series

VG - VL - VLG: Gas, #2 Oil, Gas/Oil Configuration



Standard Configuration

Inverted Configuration

DIM	Burner Frame Size				
	Size 1	Size 2	Size 3	Size 4	
Length in inches					
Overall length	A	37 1/4	40 3/8	45 1/4	51 1/8
Width in inches					
Center line to right side (Standard)	M	14	13 5/8	16 7/8	21 7/8
Center line to left side (Standard)	N	12 7/16	13 7/8	15 1/4	15 1/4
Center line to right side (Inverted)	N	12 7/16	13 7/8	15 1/4	15 1/4
Center line to left side (Inverted)	S	14	13 5/8	16 7/8	21 7/8
Height in inches					
Center line to top (Standard)	J	9 1/2	9 1/8	8 3/8	9 3/4
Center line to bottom (Standard)	K	11 3/4	14 7/16	18 5/8	19 1/4
Center line to burner support (Standard)	P	11 3/4	14 7/16	18 5/8	19 1/4
Center line to top (Inverted)	R	28	30 5/8	34 3/4	35 1/2
Center line to center line of main gas inlet (Inverted)	Q	6 7/8	8 7/8	10 1/8	11 3/4
Blast tube dimensions in inches					
Extension (Standard)	C STD	4	4	4	5
Extension (Maximum)	C MAX	5	5	5	6
Diameter	D STD	8 1/4	10	11 1/2	13 5/8
Panel box depth in inches					
Panel box depth	G	7 3/8	7 3/8	7 3/8	7 3/8
Mounting flange dimensions in inches					
Diameter	H	12 7/8	15	16 3/4	17 1/2
Bolt circle diameter	I	11 1/4	13 1/4	15 1/4	15 3/8
Gas inlet measurement in inches					
Center line to main gas inlet	L	9 5/8	9 5/8	10 1/2	11
Mounting flange to main gas inlet	E	6 7/8	7 1/4	7 5/8	9 1/2

Accompanying dimensions, while sufficiently accurate for layout purposes, must be confirmed for construction.

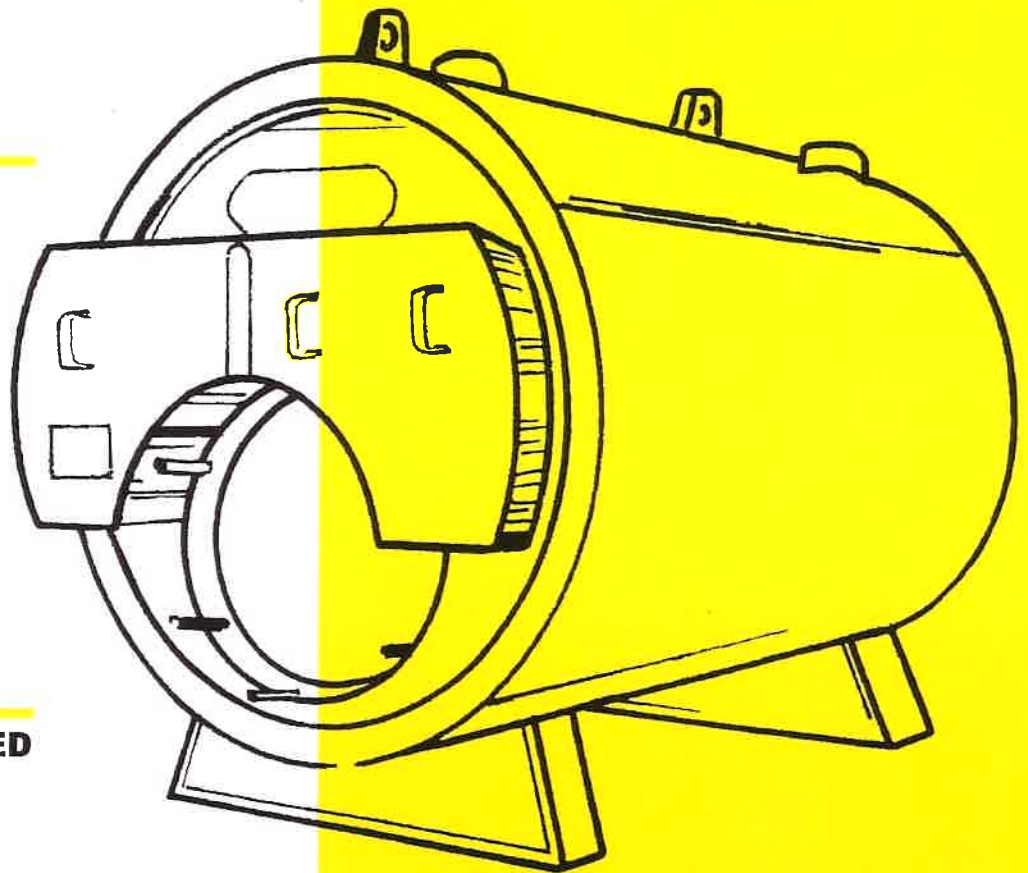


FST SERIES

**THREE-PASS
SCOTCH MARINE
SERIES**

Commercial steel
heating boilers for
low pressure steam
and hot water
installation.

OIL OR GAS FIRED



**FIELD ERECT OR SHOP
BUILT PACKAGE**

A.L. EASTMOND & SONS, INC.

1175 Leggett Avenue

Bronx, New York 10474 USA

Tel: (718) 378-3000 • Fax: (718) 378-4560

www.easco.com

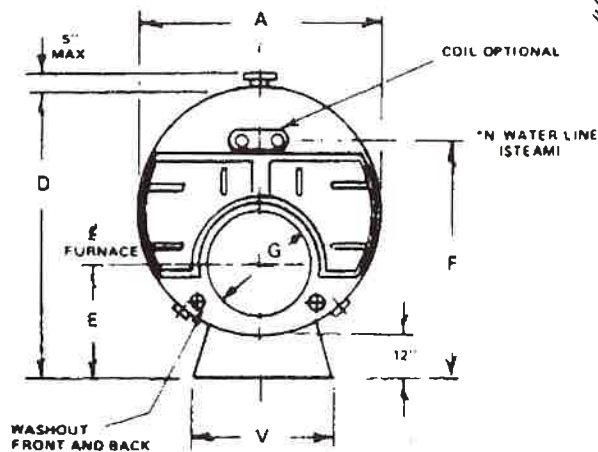


*Built in accordance with the
requirements of the ASME Boiler
and Pressure Vessel Code*

RATINGS AND DATA

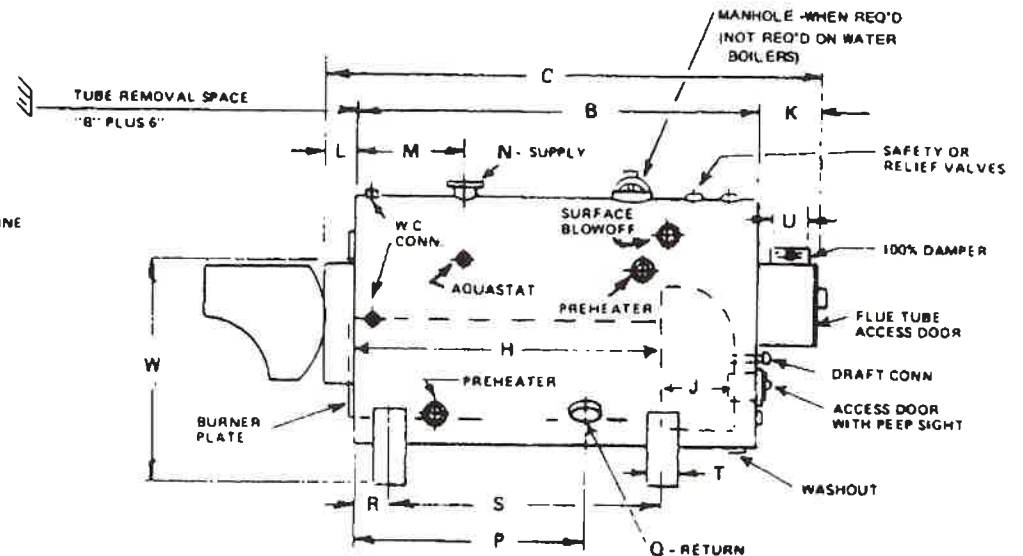
BOILER MODEL		FST	20	32	40	50	60	70	80	90	100	125	150	175	200	250	300	350	400	450	500	600	700
GROSS OUTPUT	HORSEPOWER		20	32	40	50	60	70	80	90	100	125	150	175	200	250	300	350	400	450	500	600	700
	STEAM OR WATER MBH		670	1072	1339	1674	2009	2343	2678	3013	3348	4184	5021	5858	6695	8369	10043	11716	13390	15064	16738	20085	23433
	POUNDS PER HOUR		690	1104	1380	1725	2070	2415	2760	3105	3450	4313	5175	6040	6900	8625	10350	12075	13800	15525	17250	20700	24150
NET RATING	WATER MBH		582	932	1164	1456	1747	2037	2329	2620	2905	3638	4366	5094	5822	7277	8733	10188	11643	13099	14555	17465	20377
	STEAM MBH		506	807	1011	1290	1560	1819	2079	2339	2599	3248	3898	4548	5198	6496	7797	9096	10396	11696	12995	15594	18193
	STEAM SQ. FT.		2106	3365	4211	5376	6499	7580	8663	9747	10831	13535	16243	18950	21658	27074	32489	37901	43317	48732	54147	64875	78505
FIRING RATE	GAS MBH		837	1339	1674	2093	2511	2929	3348	3766	4185	5230	6276	7323	8369	10461	12554	14645	16738	18830	20923	25106	29291
	HEAVY OIL GPH		5	9	12	14	17	20	23	25	28	35	42	49	56	70	84	98	112	126	140	168	196
	LIGHT OIL GPH		5.5	9.6	12	15	18	21	24	27	30	38	45	52	60	75	90	105	120	135	150	180	210
HEATING SURFACE FIRESIDE SQ. FT.			100	160	200	250	300	350	400	450	500	625	750	875	1000	1250	1500	1750	2000	2250	2500	3000	3500
FURNACE VOLUME CU. FT.			13.6	18.9	24.4	28.7	33.1	38.6	44.6	49.1	54	71.3	83.4	95.5	113.3	136.5	162.2	188.8	219.8	224.6	277.8	329.7	378.4
WATER CONTENT	STEAM BOILER GALS.		171	261	233	294	351	405	462	515	581	686	836	967	1058	1300	1595	1715	2060	2345	2430	2935	3550
	WATER BOILER GALS.		213	323	291	364	434	500	573	645	719	818	982	1147	1238	1592	1884	2040	2450	2790	2965	3655	4300
SHIPPING WT. DRY (APPROX.) LBS.			2800	3800	5200	6200	7200	8500	9000	9500	10000	12000	14000	16000	18000	21000	24000	27000	30000	33000	36000	42000	48000
OUTSIDE SURFACE TO COVER SQ. FT.			50	73	70	86	102	102	118	131	146	148	176	203	197	242	294	288	341	384	370	448	523

12" x 16" 60" DIA & ABOVE



OPTIONAL EQUIPMENT:

- TANKLESS COIL
- SHEET METAL JACKET
- BOTTOM SKIDS
- NORMAL WATER LINE WITHOUT COIL. WITH COIL, ADD 2".



DIMENSIONS IN INCHES

BOILER MODEL → FST	20	32	40	50	60	70	80	90	100	125	150	175	200	250	300	350	400	450	500	600	700
A - SHELL DIAM. INSIDE	45	45	51	51	51	51	60	60	60	72	72	72	84	84	84	96	96	96	108	108	108
B - SHELL LENGTH	50 1/4	74 5/16	64	78	92	77 7/8	89 1/4	99 3/4	110 3/4	93 3/4	111 3/4	128 3/4	107 5/8	131 3/4	159 3/8	137 7/8	162 3/8	182 5/8	159 3/8	193 3/8	225 3/8
C - OVERALL LENGTH	73 1/2	97 9/16	86 1/2	100 1/2	114 1/2	104 3/8	115 3/4	126 1/4	137 1/4	127	145	162	145 3/8	169 1/2	197 1/6	182 5/8	207 7/8	228 1/2	209 3/8	243 3/8	275 3/8
D - OVERALL HEIGHT	57 5/8	57 5/8	63 5/8	63 5/8	63 5/8	72 5/8	72 5/8	72 5/8	72 5/8	84 3/8	84 3/8	84 3/8	96 7/8	96 7/8	96 7/8	108 7/8	108 7/8	108 7/8	120 7/8	120 7/8	120 7/8
E - FURNACE HEIGHT C.L.	26 1/2	26 1/2	27 11/16	27 11/16	27 11/16	30 5/8	30 5/8	30 5/8	30 5/8	35 1/2	35 1/2	35 1/2	39	39	39	42 1/2	42 1/2	42 1/2	46	46	46
F - NORMAL WATER LINE	49	49	55	55	55	62	62	62	62	74	74	74	85	85	85	96	96	96	105	105	105
G - FURNACE DIAM. INSIDE	22	22	26	26	26	31	31	31	31	39	39	39	45	45	45	52	52	52	58	58	58
H - FURNACE LENGTH	26 1/2	26 1/2	42 1/2	56 5/8	70 1/2	55 7/8	67 1/4	77 3/4	88 3/4	71 1/4	89 1/4	106 1/4	78 3/4	102 7/8	130 3/4	107 3/4	133	153 1/4	123	157	189
J - REVERSING CHAMBER	16 5/16	16 5/16	18	18	18	18	18	18	18	18	18	18	24	24	24	24	24	24	30	30	30
K - DEPTH REAR SMOKE BOX	15 1/4	15 1/4	16 1/2	16 1/2	16 1/2	20 1/2	20 1/2	20 1/2	20 1/2	26 1/2	26 1/2	26 1/2	29 1/2	29 1/2	29 1/2	35 1/2	35 1/2	35 1/2	38 1/2	38 1/2	38 1/2
L - DEPTH FRONT SMOKE BOX	8 1/4	8 1/4	8	8	8	8	8	8	8	8 3/4	8 3/4	8 3/4	10 3/4	10 3/4	10 3/4	12 1/2	12 1/2	12 1/2	14 1/2	14 1/2	14 1/2
M - SUPPLY LOCATION	18	18	24	30	30	27	30	30	36	36	36	36	36	36	42	36	42	42	48	48	60
N - SUPPLY CONNECTION STMWTR	6 1/3	6 1/3	6 1/3	6 1/3	8 1/3	8 1/4	8 1/4	8 1/4	8 1/4	8 1/4	8 1/6	8 1/6	8 1/6	8 1/6	10 1/6	10 1/6	10 1/6	10 1/6	12 1/8	12 1/8	12 1/8
P - RETURN LOCATION	24 1/4	48 5/16	37	46	58	44	53	62	73	53	66	83	62 3/8	84	104 3/8	82 7/8	99 7/8	119 3/8	100	130	140
Q - RETURN CONNECTION STMWTR	3 1/3	3 1/3	3 1/3	4 1/3	4 1/3	4 1/4	4 1/4	4 1/4	4 1/4	4 1/4	4 1/6	4 1/6	4 1/6	4 1/6	6 1/6	6 1/6	6 1/6	6 1/6	6 1/8	6 1/8	6 1/8
R - LOCATION OF C.L. FRT SADDLE	9	9	9	9	9	9	9	9	9	10	10	10	12	12	12	18	18	18	18	18	18
S - DIST. BETWEEN SADDLES	24 1/4	48 13/16	36 1/2	50 1/2	64 1/2	49 3/8	60 3/4	71 1/4	82 1/4	62 7/8	80 3/8	97 5/8	70 3/8	94 1/2	122 3/8	89 7/8	115 1/8	135 3/8	106	140	172
T - THICKNESS OF SADDLES	6	6	6	6	6	7	7	7	7	8	8	8	8	8	8	10	10	10	12	12	12
U - VENT DIAMETER	12	12	12	12	14	14	14	14	16	18	20	20	20	24	27	27	30	30	30	33	36
V - WIDTH OF SADDLES	38 1/2	38 1/2	42	42	42	48	48	48	48	56	56	56	62	62	62	76	76	76	86	86	86
W - HEIGHT FRONT SMOKE BOX	45 1/4	45 1/4	52 5/16	52 5/16	52 5/16	59 5/16	59 5/16	59 5/16	59 5/16	70 7/8	70 7/8	70 7/8	82 3/16	82 3/16	82 3/16	93	93	93	102 7/16	102 7/16	102 7/16



718.378.3000

Every FST Series boiler meets the rigid requirements of American Society of Mechanical Engineers as to material, construction and workmanship.

Wet back construction throughout.

Water boiler available to 160 pounds working pressure.

1
2
3
4
5
6

Five square feet of FIRESIDE HEATING SURFACE per boiler horse power. Large furnace tube and reversing chamber achieve fully rated output with QUIET PERFORMANCE. S.B.I. schedule 3 rated.

2.5-inch FIRE TUBES eliminate necessity for turbulators or other baffling. Provides balanced flue gas flow, optimum heat transfer and low stack temperatures.

Gas tight front and rear smoke boxes eliminate soot leakage. Insulated, precision fitted doors, provide easy access for cleaning.

STANDARD STEAM TRIM: Safety valve; steam gauge; water column with water gauge glass; try cocks.
WATER TRIM: ASME rated relief valves.

OPTIONAL COMMERCIAL TANKLESS COILS

NO BATHS	16	20	24	36	40	54	70	80	90	110	130	150	165	180	210	240	260	285	310
GPH 180°F	480	520	640	720	840	960	1080	1200	1400	1600	1800	2000	2200	2400	2880	3160	3440	3720	4000



A.L. EASTMOND & SONS, INC.

1175 Leggett Avenue • Bronx, New York 10474 USA
Tel: (718) 378-3000 • Fax: (718) 378-4560 • www.easco.com

SECTION C: PROJECT RESULTS, RECOMMENDATIONS AND GENERAL CONSIDERATIONS

RECOMMENDED MEASURES

ECM 1:	Interior Lighting System Improvements
ECM 2:	Replace Boilers

GENERAL CONSIDERATIONS

EQUIPMENT SELECTION

Equipment will be identified in submittals provided to the Wayne Township School District for approval prior to procurement. In addition, complete product cut-sheets for all specified equipment will be supplied to the District. These documents will be submitted to the District for review and comment. Upon approval, these will constitute the construction documents. Upon completion of the construction phase, the documents will be revised as needed to reflect “As-Built” conditions, and submitted in multiple to the District for their record. Sample product manufacturer specification sheets are provided following each measure description in the measure appendices. Each measure will be fully integrated with District systems.

DESIGN AND COMPLIANCE

All design and compliance issues that require the professional services of an architect or engineer have been addressed and incorporated by the Ameresco audit and report. A designated engineering team will provide all Design/Engineering, public bid specification preparation work, and gain all permitting approvals needed towards the successful implementation of each defined Energy Conservation Measure comprising the District’s ESIP Energy Savings Plan. The team will ensure that any required intermediate design submittals are prepared for Wayne School District’s review in a timely fashion. This team will be comprised of Ameresco employees and a NJ based design engineering firm that will be selected by, and contracted directly to, Ameresco during project construction. In addition, Ameresco will work closely with Wayne School District’s contracted professional architectural and planning firm, to ensure all design, compliance issues, and approvals are fully addressed. Ameresco will coordinate all ECM pre-bid, public procurement, construction, and project commissioning/verification activities with both the District and selected design and engineering

firm. Note all professionals providing engineering services under this Plan shall have errors and omissions insurance.

RISK ASSESSMENT

Ameresco has assessed all risk involved towards the successful implementation of the Wayne School District Energy Savings Plan. The calculations of energy savings for each ECM comprising the District Energy Savings Plan were made in accordance with BPU adopted standards and protocols. These calculations included all applicable State and federal rebates and tax credits, but do not include the cost of an energy audit or the cost of verifying energy savings.

COMMISSIONING

Ameresco personnel, the installing contractor(s), and qualified third-party commissioning agent (s) representing the District will commission and test the systems at start-up with corroboration by District personnel. The operation of the systems will also be proven at this time. Prior notification of these tests will be provided, and coordinated with the District personnel. Results of the commissioning procedures will be documented and a written report will be provided to District for approval. Any deficiencies in the system will be noted in the report and corrected immediately. In accordance with NJ ESIP legislation, verification by a qualified third party is required when energy conservation measures are placed in service or commissioned, to ensure the savings projected in the energy savings plan shall be achieved. Ameresco will coordinate project commissioning and verification activities with the District and its designated professionals.

LOCAL MAINTENANCE AND REPAIR SUPPORT

Service and maintenance work will be coordinated through Ameresco's headquarters in Framingham, Massachusetts and the local office located in Newburgh, NY. Ameresco's Vice President of Construction and Project Managers will coordinate with the installing contractors and other local contractors in order to ensure that the best service is available to District at all times.

OPERATIONS AND MAINTENANCE

The District currently maintains, or provides for third parties to maintain, its existing equipment. Ameresco proposes that the District continues to maintain the existing equipment and all equipment installed as part of this performance contract.

In accordance with NJ ESIP law (NJ ESIP P.L. 2009, c. 4, N.J.S.A. 18A:18A-4.6 and N.J.S.A. 18A:18A-42), financed energy savings generated through an ESIP may not be used to procure post-construction maintenance service contracts, the optional energy savings guarantee, or third party verification of energy conservation measures and savings. Energy savings may not be used to procure any post-construction maintenance services programs for public school districts, such as mechanical/HVAC or control systems maintenance services contracts. These services, if

desired by the Wayne Township School District, the District is required by law to be separately procured, utilizing District funds from existing operating or capital budgets.

TRAINING PROVISIONS

Ameresco recognizes that people learn in different ways. For this reason, we have devised a comprehensive training program that involves on-site, classroom, and visual (manual) learning. Training sessions will include a review of the overall installation and performance history so that everyone understands the benefits of the program. Documentation will include review of O&M manuals, drawings, and equipment specification literature. All facilities personnel will have a comprehensive manual for reference, and Ameresco will continue to conduct on the spot and organized training sessions over the life of the project. Ameresco can also accommodate special or specific training needs or requirements of the District not detailed in this response.

Ameresco's Operation & Maintenance Manager will be responsible for coordinating the delivery of our training program to The District. The training program for facilities and maintenance personnel at the end of the contract performance period will focus on the necessary operations and service requirements after the performance contract is closed out. Training will clearly delineate the long-term service roles of both Ameresco and the District staff.

Each ECM will be reviewed in detail, as the curriculum outlined below details. System overviews will be provided, as well as more detailed examination of specific equipment and/or components. Documentation will include review of the O&M manuals (furnished as part of the "as-built" project documents), drawings, and equipment manufacturers' specification literature.

Ameresco realizes that all installed equipment must be reliable, durable and properly maintained. Even the most efficient systems will not perform properly unless they are properly integrated with the existing infrastructure, and the best installations can cause problems if not carefully coordinated with on-going maintenance practices. Therefore, one of the most important initial steps in the process is proper training.

Outline of training curriculum:

1. Explanation of the Design Concept
 - Design intent
 - Seasonal modes of operation
 - Emergency conditions and operation
 - Comfort conditions/Indoor air quality
 - Energy efficiency considerations
2. Systems operation
 - Operation of individual components, if required: instruction provided by authorized factory technicians
 - Physical location of critical shut-off valves, fire, smoke, and balancing dampers, relief

- valves, safeties, control panels, etc.
 - System operational procedures for all modes in manual and automatic modes
3. Operation of the control systems
 - Sequences of operation
 - Use of graphical user interfaces
 - Alarms and problem indicators
 - Diagnostics and corrective actions
 4. Service and Maintenance
 - Use of the Operation and Maintenance Manuals
 - Instruction and logging procedures for lubrication
 - Instruction from authorized factory technicians
 - Troubleshooting and investigation of malfunctions
 5. Recommended procedures for collecting, interpreting, and storing specific performance data

HAZARDOUS MATERIALS

During the audit, Ameresco performed visual inspections of all areas to be impacted by the proposed project. The inspections did uncover some suspect material that may potentially contain asbestos, or other hazardous materials, needing abatement that would be required in order for the implementation of the proposed scope of work to be completed. Ameresco, therefore, has included appropriate costs associated with abatement of hazardous materials included in ECM 2 – Replace Boilers, and the required disposal of any PCB containing ballasts and mercury lamps associated with ECM 1 – Interior Lighting System Improvements. In the event that any additional hazardous materials requiring special handling are identified during subsequent phases of the proposed project's implementation, work will immediately be halted at the area in question, and the Ameresco Project Manager will notify the designated District contact. Provisions to accomplish the required additional remediation will be discussed with the District and will be separate from or in addition to, this performance contract.

WARRANTY

Ameresco will warrant the labor and material for ECM 2 – Replace Boilers for a period of one year from the issuance of substantial completion for each ECM. This warranty is for repair of equipment installed by Ameresco only and does not include operation and maintenance unless otherwise noted in this energy audit. After the one-year period, any remaining manufacturer's warranties will be passed on to the District.

For ECM 1 – Interior Lighting System Improvements, Ameresco will install the new LED lamps on the existing fixtures and verify the new lamps are operating as expected, however, once the lamps are accepted, the District will be responsible for handling ALL burnouts and warranty claims directly with the new LED lamp manufacturer. Ameresco will not warrant the existing

lighting fixtures and ballasts that will be reused. Due to various ages and models of existing ballasts, Ameresco can't warrant that the new lamps will be 100% compatible with every existing ballast.

GUARANTEE OF ENERGY SAVINGS

In accordance to New Jersey Energy Saving Improvement Program (ESIP) legislation, public institutions, such as the Wayne Township School District, are provided the option to have their ESIP energy savings, which financially supports the implementation of their ESP, guaranteed or not guaranteed by their energy services company (ESCO) partner. Wayne Township School District has selected the “not guaranteed” option for its Energy Savings Improvement Program.

In the event the District had selected the guarantee option, the following costs would have been added to the project:

Year	Payments for Ongoing Services
1	\$ 7,843
2	\$ 8,078
3	\$ 8,321
4	\$ 8,570
5	\$ 8,827
6	\$ 9,092
7	\$ 9,365
8	\$ 9,646
9	\$ 9,935
10	\$ 10,233
11	\$ 10,540
12	\$ 10,857
13	\$ 11,182
14	\$ 11,518
15	\$ 11,863
Totals	\$ 145,871

This page is intentionally left blank.

SECTION D: FINANCIAL RESULTS

PROJECT SPECIFICS

Ameresco completed the Phase 2 investment grade energy audit for Wayne Township School District based on the District’s requested scope of work and has recommended the ECMs described in Section C of this Energy Savings Plan. The table below is a financial summary that includes the measures selected and described in Section C.

Table 1

	ESP
Financing Term (post construction)	15 years
Estimated Tax-exempt Interest Rate	2.50%
Capital Cost	\$2,048,835
Estimated Utility Incentives	\$166,633
Net Excess Cumulative Cash Flow	\$162,050

We have included an estimated project proforma analysis immediately following this section, based on a 15-year contract term (Note: this is 15 years post-construction of all Energy Conservation Measures comprising the District’s ESIP Energy Savings Plan). This proforma incorporates Ameresco’s energy costs savings, annual lease payments and results in positive cash flows to the District over the life of the proposed project.

Maintenance savings are included for the boiler replacement measure. These savings were provided by the District and represent excessive ongoing maintenance costs associated with the existing boilers. As per the BPU, these savings are only included for two years with no escalation. Please refer to the following pro-forma analysis for further information regarding the financial aspects of this project.

An annual cost contribution by the District is included in the cash flow with no escalation starting in Year 3 through the remaining term of the project.

Final pricing for all project ECMs is subject to NJ public procurement policies of the District and will be determined through the procurement process mandated by State legislation.

CONTRACT COST

Per NJ ESIP legislation, an Open Book Pricing method is required, whereby the District can review in detail the cost for the specified scope, including actual contractor and material quotes

(“Direct Pricing”). The Ameresco Contract Cost is comprised of the sum of the Direct Pricing plus the Indirect Pricing (Ameresco Services, overhead and profit). The following total budget per ECM has been developed as a result of this Energy Savings Plan:

Ecm #	ECM Name	Total Project Costs
1	Interior Lighting System Improvements	\$ 479,963
2	Replace Boilers	\$ 1,568,872
		\$ 2,048,835

DIRECT PRICING

Prior to the implementation of the work, Ameresco will solicit pricing through public bid from subcontractors and/or equipment providers for each ECM, and to the extent possible, shall use the most competitive and qualified subcontractor or equipment provider to implement the work relating to such ECM. The determination of subcontractor selection shall comply with all NJ public procurement requirements described earlier. Any cost not specifically included in the Indirect Pricing shall be part of the Direct Pricing.

INDIRECT PRICING

- Design and Engineering: Preparation of all ECM bid specifications and ECM design.
- Construction Management: Ameresco staff providing management of the project and subcontractors throughout the construction term.
- Legal Review, Contract Administration and Procurement: Administration of the contracts, including maintaining compliance with Ameresco’s contract with the Wayne Township School District as well as Ameresco’s contracts with each of our ultimate subcontractors.
- Bonding: Ameresco’s performance and payment bonds on the gross value of the construction costs. Subcontract bonding is required and will be included as part of the direct costs.
- Training: Ameresco’s training of District personnel at the time of commissioning, prior to turn over of the project to Wayne Township SD personnel.
- Overhead and Profit: Ameresco’s recovery of corporate overhead and recognition of profit

Ameresco’s fee structure is based upon the defined scope-of-work, and the staffing plan and services required to successfully develop and implement the desired project to the agreed upon schedule.

Any cost not specifically included in the Indirect Pricing shall be included in the Direct Pricing, inclusive of all materials, labor, and other services or fees required to successfully implement the Scope of Services.

In the event the Contract Cost is anticipated to exceed the “not to exceed” total stated above, the District and Ameresco will modify the Scope of Services in order to remain within the stated maximum.

SAVINGS COVERAGE

It is important to note that revisions to the project scope during the design phase may have an effect on the savings levels and overall project economics. The District and Ameresco need to remain cognizant of the ability to meet the projected savings levels specified in the Contract and aware that changes in project scope may necessitate a modification to the projected savings levels. In the event the proposed design adversely affects the ability to meet these projections, Ameresco and the District will need to mutually agree upon revisions to the project scope or contract. Ameresco shall provide reasonable efforts to rerun project economics based upon actual costs and savings levels during the design phase, including for the addition of other opportunities, to show the effect of scope/pricing changes on the overall economics.

REBATES / INCENTIVES

Utility incentives are expected as a result of these ECMs. Ameresco has estimated prescriptive incentives for lighting and the new boilers that have been factored into the project economics totaling \$166,633. NJ BPU OCE Pay for Performance program (“P4P”) incentives are not expected to be applicable to this project.

Ameresco is unable to guarantee the exact final level of rebates the District will recognize as a result of implementing this project. Any rebates will be for the benefit of the District, and the District shall be responsible for addressing any financial shortfalls as a result of fewer than expected rebates. Ameresco’s pricing is based on payment of the gross project cost, not the cost net of any rebates that may arise, based upon a percentage of completion.

PROPOSED FINANCING STRUCTURE

Frequency of Payments. We have structured our proposal based on a 15 year financing term (post-construction), using monthly payments due after project completion with an assumed 12 months construction period.

Term of the Proposed Agreement. Ameresco proposes a contract term of 15 years after the Final Installation Date of the Equipment (Note: the maximum allowed under New Jersey State Law is 15 years).

INTEREST RATE AND FINANCING TERM

Ameresco estimated the interest rates for project financing based on discussions with the District. The ultimate rate may vary based on the District's RFP for financing, but Ameresco does not guarantee it will be less than or equal to the assumed 2.50% interest rate used in the pro forma cash flow. The financing term is based on 15-years of repayment, which commences after an assumed 12 months of construction. (Additional information on the assumed construction schedule is included in Section E of this audit.)

CONSTRUCTION FINANCING

Ameresco assumes the financing proceeds will be funded into an escrow or similar account at the inception of the project. Monthly drawings are made against the escrow as the project is implemented, based upon a percentage of work completed for the preceding period.

PROCUREMENT AND PROJECT APPROVALS

Ameresco will contract with all related subcontractors through an open and competitive process as required by the District's procurement policies and supervise the installation and completion of all ESIP Energy Savings Plan (ESP) projects/Energy Conservation Measures (ECMs). Working with, and under the authority of the District, Ameresco will prepare and release bid specification for all subcontractor scopes of work associated with project installations. All contractors selected for the project will be listed or qualified contractors with the NJ Department of the Treasury, Division of Property Management and Construction (DPMC). All routine public works construction contracting procedures and requirements of the District will be followed. This includes satisfying all requirements regarding public bidding, bid security, insurance, and other requirements that are applicable to NJ public works contracts. Prior to initiating public bidding requirements and project implementation, Ameresco will submit permit applications to, and gain approval from, all appropriate NJ authorities for all applicable projects.

MEASUREMENT AND VERIFICATION

Ameresco has included a commissioning based measurement and verification plan as part of the overall project. Ongoing monitoring and verification of savings is not included in the project economics.

This page is intentionally left blank.

FORM VI

**ESCO'S PRELIMINARY ENERGY SAVINGS PLAN (ESP):
ESCO's Preliminary Annual Cash Flow Analysis Form
Wayne Township Schools Phase 2
Energy Savings improvement Program**

ESCO Name: Ameresco Inc

Note: Respondents must use the following assumptions in all financial calculations

(a) The cost of all types of energy should be assumed to inflate at 2.4% gas and 2.2% electric per year

1. Terms of Agreement: 15 years (180 Months) post construction

2. Construction Period (2) (months): 12

3. Cash Flow Analysis Format

Proposed Interest Rate: 2.50%

Projected Cost (before incentives):

\$ 2,048,835

Electric escalation	2.20%
Gas Escalation	2.40%
Other Items	3.00%

Year	Annual Energy Savings	Annual Operational Savings	Energy Rebates/Incentives	Total Annual Savings	Annual Project Costs	Board Costs	Annual Service Costs (3)	Customer Contribution	Net Cash Flow to Client	Cumulative Cash Flow
Installation			\$ 166,633							\$ -
1	\$ 73,880	\$ 80,000	\$ -	\$ 153,880	\$ 143,076	\$ -	\$ -	\$ -	\$ 10,803	\$ 10,803
2	\$ 75,503	\$ 80,000	\$ -	\$ 155,503	\$ 144,700	\$ -	\$ -	\$ -	\$ 10,803	\$ 21,607
3	\$ 77,162	\$ -	\$ -	\$ 77,162	\$ 146,359	\$ -	\$ -	\$ 80,000	\$ 10,803	\$ 32,410
4	\$ 78,858	\$ -	\$ -	\$ 78,858	\$ 148,055	\$ -	\$ -	\$ 80,000	\$ 10,803	\$ 43,213
5	\$ 80,591	\$ -	\$ -	\$ 80,591	\$ 149,788	\$ -	\$ -	\$ 80,000	\$ 10,803	\$ 54,017
6	\$ 82,362	\$ -	\$ -	\$ 82,362	\$ 151,559	\$ -	\$ -	\$ 80,000	\$ 10,803	\$ 64,820
7	\$ 84,172	\$ -	\$ -	\$ 84,172	\$ 153,369	\$ -	\$ -	\$ 80,000	\$ 10,803	\$ 75,623
8	\$ 86,022	\$ -	\$ -	\$ 86,022	\$ 155,219	\$ -	\$ -	\$ 80,000	\$ 10,803	\$ 86,426
9	\$ 87,912	\$ -	\$ -	\$ 87,912	\$ 157,109	\$ -	\$ -	\$ 80,000	\$ 10,803	\$ 97,230
10	\$ 89,844	\$ -	\$ -	\$ 89,844	\$ 159,041	\$ -	\$ -	\$ 80,000	\$ 10,803	\$ 108,033
11	\$ 91,819	\$ -	\$ -	\$ 91,819	\$ 161,015	\$ -	\$ -	\$ 80,000	\$ 10,803	\$ 118,836
12	\$ 93,837	\$ -	\$ -	\$ 93,837	\$ 163,033	\$ -	\$ -	\$ 80,000	\$ 10,803	\$ 129,640
13	\$ 95,899	\$ -	\$ -	\$ 95,899	\$ 165,095	\$ -	\$ -	\$ 80,000	\$ 10,803	\$ 140,443
14	\$ 98,006	\$ -	\$ -	\$ 98,006	\$ 167,203	\$ -	\$ -	\$ 80,000	\$ 10,803	\$ 151,246
15	\$ 100,160	\$ -	\$ -	\$ 100,160	\$ 169,357	\$ -	\$ -	\$ 80,000	\$ 10,803	\$ 162,050
Totals	\$ 1,296,028	\$ 160,000	\$ 166,633	\$ 1,456,028	\$ 2,333,979	\$ -	\$ -	\$ 1,040,000	\$ 162,050	

NOTES:

(1) Includes: Hard costs and project service fees defined in ESCO's PROPOSED "FORM V"

(2) No payments are made by the Board of Education during the construction period.

(3) This figure should equal the value indicated on the ESCO's PROPOSED "FORM V". DO NOT include in the Financed Project Costs.

This page is intentionally left blank.

Wayne Township Schools Phase 2

Project Savings Summary

Ecm #	ECM Name	Annual kW	Total kWh	Natural Gas (Therms)	Energy Savings	O&M Savings	Total Project Savings	Total Project Costs	SPB
1	Interior Lighting System Improvements	2,379.0	561,705	(7,566)	\$ 68,609	\$ -	\$ 68,609	\$ 479,963	7.00
2	Replace Boilers	-	-	6,022	\$ 3,682	\$ 80,000	\$ 83,682	\$ 1,568,872	18.75
		2,379	561,705	(1,544)	\$ 72,291	\$ 80,000	\$ 152,291	\$ 2,048,835	13.45

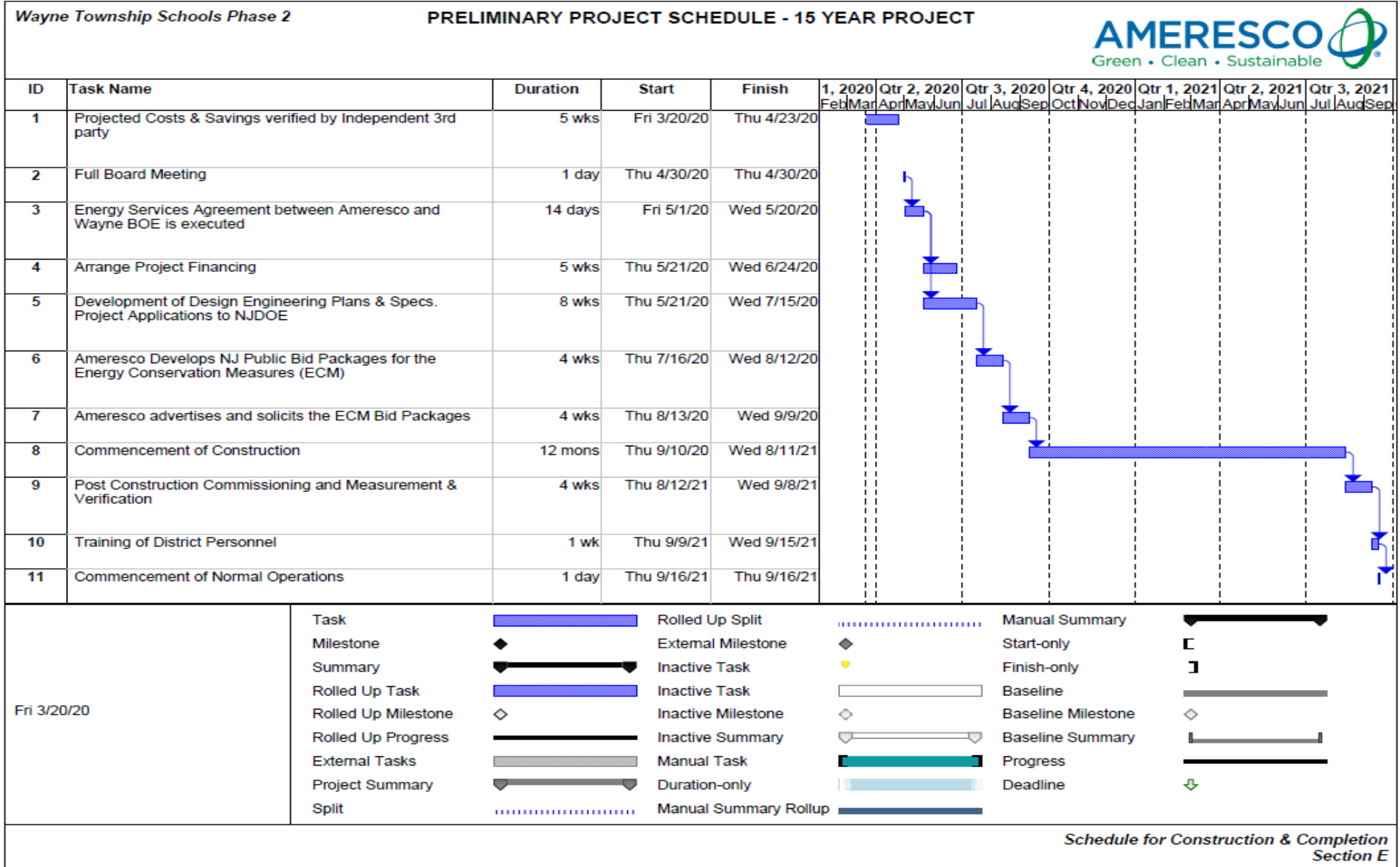
This page is intentionally left blank.

SECTION E: IMPLEMENTATION SCHEDULE

Ameresco’s projected schedule for completion of the tasks associated with this performance contract is presented on the following page. This preliminary schedule is subject to revision based on actual contract execution date and changes in project timing. Naturally, all scheduling will be coordinated with the District personnel to ensure that no work will interfere with normal District operations.

This preliminary schedule represents a roll-up of major project activities from execution of the Energy services Agreement, through completion of improvements and the District’s acceptance, to commencement of performance period services. Ameresco’s project schedule for completion of the project is provided on the next page.

This page is intentionally left blank.



This page is intentionally left blank.

APPENDIX A: THIRD PARTY REVIEW REPORT

See attached.

This page is intentionally left blank.

Wayne Township School District



Third Party Review Report

CHA Project Number: 62039

Prepared for:

*Wayne Township Schools
50 Nellis Drive
Wayne, New Jersey 07470*

Prepared by:



*3 Winners Circle
Albany, NY 12205
Phone: (518) 453-4500*

May 14, 2020

TABLE OF CONTENTS

2.0 INTRODUCTION.....	3
3.0 EXECUTIVE SUMMARY	3
4.0 ENERGY SAVINGS CALCULATION REVIEW PROTOCOLS	5
5.0 ENERGY CONSERVATION MEASURES.....	6
5.1 ECM-1 INTERIOR LIGHTING SYSTEM IMPROVEMENTS	6
5.2 ECM-2 REPLACE BOILERS.....	7
6.0 ENERGY SAVINGS IMPROVEMENT PLAN REVIEW	12
7.0 DISCLAIMER.....	13
8.0 CONCLUSIONS & RECOMMENDATIONS	13

2.0 INTRODUCTION

Wayne Township Board of Education (BOE) is currently participating with the Energy Savings Improvement Program (ESIP) as described in PL 2009, c.4 and local finance notice 2009-11.

The BOE is interested in verification of the Energy Savings Plan (the Plan) as prepared by the BOE's selected ESCO, Ameresco. CHA Companies, Inc. (CHA) has been retained to conduct a third-party review of the Investment Grade Audit (IGA) prepared by Ameresco, Inc.

3.0 EXECUTIVE SUMMARY

This report summarizes our preliminary findings on the calculation methods employed by Ameresco, Inc. This review was prepared in accordance with the requirements set forth in Chapter 4 of the New Jersey Board of Public Utilities (NJBPU) Laws of 2009 "Energy Savings Improvement Program" and Local Finance Notice 2009-11 and 2011-17, including amendments to P.L. 2009, Chapter 4 included in P.L. 2012, Chapter 55.

The initial review was completed by CHA on April 17, 2020 and it was forwarded to Ameresco. Ameresco's responses were provided to CHA on April 30, 2020 and are included in this report. The questions and comments of concern were addressed and are satisfactory. CHA therefore has no further questions or comments of concern.

The ESP included in the IGA identified two major Energy Conservation Measures (ECMs):

- ECM 1 - Interior Lighting System Improvements (within 16 buildings)
- ECM 2 - Replace Boiler (for Wayne Valley High School)

The Energy Savings Plan is intended to address specific requirements as set forth in the New Jersey Energy Savings Improvement Program Law, P.L. 2009 c.4.

The following table is the summary of ECMs savings as calculated by Ameresco:

ECM #	ECM Name	Annual kW	Total kWh	Natural Gas (Therms)	Energy Savings	O&M Savings	Total Project Savings	Total Project Costs	SPB
1	Interior Lighting System Improvements	2,379.0	561,705	(7,566)	\$68,609	\$-	\$68,609	\$479,963	7.00
2	Replace Boilers	-	-	6,022	\$3,682	\$80,000	\$83,682	\$1,568,872	18.75
Totals		2,379	561,705	(1,544)	\$72,291	\$80,000	\$152,291	\$2,048,835	13.45

The following table illustrates financial benefits:

Financial Terms	
Financing Term (post construction)	15 years
Estimated Tax-exempt Interest Rate	2.50%
Capital Investment	\$2,048,835
Estimated Utility Incentives	\$166,633
Energy Cost Escalation (Average Annually)	2.2%
Initial Annual Project Energy Savings	\$72,291
Initial Annual Project O&M Savings (Years 1 and 2 ONLY)	\$80,000
Total Initial Annual Project Savings	\$152,291
Annual Customer Contribution (Year 3 and on)	\$80,000
Net Excess Cumulative Cash Flow	\$18,168

Overall CHA’s review of the ESP did not find any major issues with the calculations.
 The following items are provided for the ESP development team’s consideration as the ESP is finalized.

4.0 ENERGY SAVINGS CALCULATION REVIEW PROTOCOLS

The New Jersey Board of Public Utilities (NJBPU) requires all Energy Savings Improvement Plans (ESIP) to conform to the protocols from the International Performance Measurement and Verification Protocol (IPMVP). These protocols require use of one of four options to ensure the measurement and verification of each Energy Conservation Method (ECM) proposed. These options are as follows:

Option A - Verifying that the opportunity has the potential to perform and to generate savings by stipulated engineering calculations (possibly including spot measurements) with stipulated values.

Option B - Verifying that the opportunity has the potential to perform and verifying actual performance by end user. Verified by engineering calculations with metering and monitoring throughout term of contract.

Option C - Verifying that the opportunity has the potential to perform and verifying actual performance (whole building analysis). Verification by utility meter billing analysis.

Option D - Simulating that the opportunity has the potential to perform and simulating actual performance.

5.0 ENERGY CONSERVATION MEASURES

The Plan identifies two (2) Energy Conservation Measures (ECM's). The ECM's are detailed as follows:

5.1 ECM-1 INTERIOR LIGHTING SYSTEM IMPROVEMENTS

The Plan by Ameresco identified the various configurations of lighting in the Wayne Township School District's buildings that are eligible for the NJBPTU Direct Install projects. The scope of this ECM includes replacements of T8 lamps with their LED equivalents reusing existing ballasts. The 2', 4' and 4' "Type A" LED tubes will replace existing lamps. The number of proposed buildings for this ECM is sixteen and they are listed below:

- Randall Carter-Elementary
- Theunis Dey-Elementary
- James Fallon-Elementary
- John F. Kennedy-Elementary
- Lafayette-Elementary
- Packanack-Elementary
- Pines Lake-Elementary
- Ryerson-Elementary
- Albert Payson Terhune-Elementary
- Anthony Wayne
- Schuyler-Colfax-Middle School
- George Washington-Middle School
- Wayne Hills-High School
- Wayne Valley-High School
- Preakness (Library Community Center)
- Board of Ed Administration

CHA's lighting review is based solely on the provided report and calculations that include quantities, electric demand (kW) and operating hours (field verification of provided data was not included) of the light fixtures. CHA has performed an independent review of the energy calculations and takes no exceptions to the results. We have the following comments:

- a. Out of 15,448 tubes considered in the calculations, 13,638 will be replaced with LED tubes as 1,810 are already LEDs.
- b. The lighting specification attached with the report illustrates that the equivalent LED tubes were selected to fit into fixtures and to provide similar levels of illumination as the replaced tubes.

- c. Operating hours for individual areas look reasonable, but please note that in some cases they are above the recommended operating hours per NJBPU protocols for schools (2,575 hours). There are numerous lines in the lighting sheet exceeding 3,000 hours. In general, for the cases where the protocol hours are exceeded, please clarify the basis for the hours used.

Ameresco response:

The line item hours in the IGA are the same as the Phase 1 ESIP. These hours have been verified by the customer and approved by the NJBPU

- d. The existing ballasts are noted in the report to be assumed to work with the new LED lamps. Will there be additional charges to the school district for replacement of fixtures where ballasts are not compatible with replacement LED tubes? If so, can a full investigation of the ballasts be conducted at this stage rather than waiting for construction?

Ameresco response:

Ameresco will confirm ballast compatibility during construction. Should we find any failed or incompatible ballasts, we will replace them using contingency funds.

5.2 ECM-2 REPLACE BOILERS

Ameresco proposes to remove four (4) old boilers at the Wayne Valley High School, two steam and two heating hot water, and replace them with four (4) new, more efficient boilers, one steam and three condensing hot water. The new boilers will provide the Wayne Public School District (District) with new equipment and redundancy that will save energy and lower operating and maintenance costs.

CHA has performed an independent review of the energy calculations and we have the following comments and questions:

- a. NJBPU Protocol Review – Steam Boilers:
- The existing HB Smith boilers to be removed are 5,333 MBH; the EASCO boiler size is not given but they are assumed to be of similar size. NJBPU protocols do not dictate baseline boiler efficiency for steam boilers greater than 2,500 MBH. However, the NJ Pay for Performance (P4P) program recommends using the following formula to determine baseline boiler efficiency, which can be used in absence of available combustion testing:

$$\text{Efficiency}_{\text{de-rated}} = \text{Efficiency}_{\text{original}} * (1 - M)^{\text{age}}$$

Where M = 0.005 for boilers that did not receive annual maintenance, and 0.0025 for boilers that received annual maintenance

The EASCO boiler is used for the baseline boiler efficiency, as per the IGA it is the source of steam for the school. The HB Smith boilers are currently out of service. It is assumed that the original boiler efficiency of the EASCO boiler installed in 2016 is 80% (same as the new proposed EASCO boiler). Therefore, assuming annual maintenance, de-rated efficiency would be 79.4%. This is less than the baseline efficiency used in the calculation. No action is required.

b. NJBPU Protocol Review – Hot Water Boilers:

- The existing Cleaver Brooks boilers are stated in the IGA to be 10,461 MBH capacity. Similar to above, NJBPU protocols do not dictate baseline boiler efficiency for hot water boilers greater than 2,500 MBH. Because the existing Cleaver Brooks boilers were installed in 1971, even with annual service the P4P formula used above would result in a best-case efficiency below 75%. Therefore, the baseline efficiency used in the IGA of 82% can be considered conservative. No action is required.
- Per NJBPU protocols, boiler EFLH for secondary schools are 901 hours. Using these hours, and the calculated baseline efficiency from the P4P program, the savings are calculated to be higher than the stated savings in the IGA. Therefore, no action is required.

c. Steam boiler calculations result in no energy savings. It is our understanding that the new boiler is provided only to provide redundancy to the EASCO installed in 2016. Please confirm.

Ameresco response:

Correct, the new boiler is provided for redundancy purposes ad since both existing and new boilers are identical in capacity and efficiency, Ameresco did not claim energy savings for the new boiler.

d. ECM 2 page 19. There is no capacity info for the existing newer EASCO steam boiler that was installed in 2016. Is the existing EASCO boiler the same size as the proposed EASCO?

Ameresco response:

Correct, both existing and new steam boilers are same manufacturer, model and size both rated at 7,323 MBH input, 5858MBH output.

e. The proposed EASCO steam boiler efficiency in the calculations is listed as 82% efficient, while boiler efficiency is listed in the EASCO cut sheet data as 80% efficient. Please clarify which is correct. Ultimately no savings are claimed so this does not affect project savings.

Ameresco response:

The 80% is documented by the manufacturer and is considered accurate. The 82% was given verbally by the local EASCO vendor. We requested a written document in support of the vendor's claim but didn't receive any documentation. However, as noted there are no savings being claimed for the new steam boiler.

- f. For the steam boilers, why is the new EASCO boiler selected for 7,323 MBH input rather than matching one of the removed HB Smith boiler sizes (5,334 MBH)? The peak steam load in the bin calculation appears to be 2,970 MBH; matching the HB Smith size should still result in both boilers being able to carry the load and therefore achieve full redundancy?

Ameresco response:

Ameresco selected to provide a redundant boiler equal in size to the previously designed EASCO steam boiler.

- g. Steam and Hot Water Boiler Calculations (spreadsheet pages): columns S, T, U and V have formulas that are shown below the tables. Please re-check these formulas as the calculated values in these columns cannot be computed as shown.

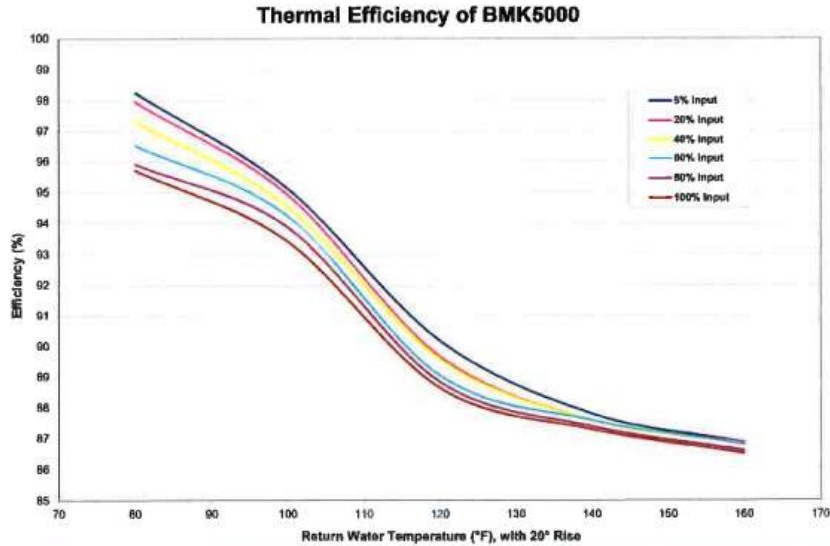
Ameresco response:

Columns S & T calculate occupied & unoccupied heat gains respectively. Most of the data is available in the tab except for internal gains. Internal gains are linked in from our baseline model. The model calculates occupied and unoccupied heat gains to the space produced by: lighting, heat thrown off by occupants and plug-loads (computers, office equipment, vending machines, kitchen appliances, transformers).

- h. For the hot water boilers, does Ameresco have any info about the average return water temperature for the heating hot water system? This affects the efficiency as noted in the item directly below.

Ameresco response:

To be conservative, Ameresco assumed conventional hot water system return water temperature of 160°F. Per the manufacture's boiler performance curve below the boiler averages 86.5% to 87% at 160°F. The existing distribution system is designed for 180°F supply temp, therefore we expect condensing efficiencies will not be achieved on a regular basis.



- i. The hot water boiler calculations use an efficiency of 86.5% for the new BMK 5000 boilers. The range of efficiencies listed by the manufacturer is higher, although dependent on firing rates and return water temperatures. Please explain the rationale for the efficiency used.

Ameresco response:

As noted above, Ameresco is being conservative due to the design of the existing distribution system.

- j. ECM 2 page 19. The statement under Existing System states that all boilers (included in this report) are for space heating. Do any serve domestic hot water (DHW), or is DHW generated separately? Are the DHW heaters gas or electric?

Ameresco response:

None of the boilers included in this scope are used, direct or indirect, to generate domestic hot water. Domestic hot water is generated separately by gas-fired heaters.

- k. The calculated baseline does not reconcile with the actual building consumption. The steam boiler calculation shows the baseline energy consumption for occupied and unoccupied hours of 657 MMBTU and 1,230 MMBTU respectively for a total of 1,887 MMBTU. Similarly, for the heating hot water boilers, the baseline consumption is 3,365 MMBTU occupied + 2,764 MMBTU unoccupied = 6,128 MMBTU. The combined consumption is therefore 8,015 MMBTUs or 80,150 therms. The total fuel consumption for the building is shown on Table 2 page 6 as 163,490 therms. Are there other users of natural gas? (RTUs, kitchen, etc.) This is a significant difference so there must be a significant amount of other equipment using gas.

Ameresco response:

Yes, in addition to the (2) boiler rooms, there are (3) indirect gas fired packaged rooftop units serving the 2004 section. TRU-1 is rated for 270 MBH, RTU-2 & RTU-3 are each rated for 90 MBH. The school has a fully operational kitchen. There are four gas fired domestic hot water heater rated for 199 MBH each.

1. Can Ameresco provide the rationale for the \$80,000 annual operations and maintenance savings?

Ameresco response:

The \$80,000 was provided by the District based on their internal records of abnormal O&M costs due to maintaining the aged equipment.

- m. Ameresco included asbestos abatement costs for items currently identified. The school district should note that additional asbestos could be found, and be required to be abated, during construction.

6.0 ENERGY SAVINGS IMPROVEMENT PLAN REVIEW

The ESIP is required by NJ Law to address certain components. CHA comments below on if the plan adequately addressed the components:

- Contain the results of an energy audit:
 - The ESIP contains an Energy Audit prepared by Ameresco as detailed on page 2 of the report.
- Describe the energy conservation measures that will comprise the program:
 - Ameresco complied by identifying the two Energy Conservation Measures proposed for implementation.
- Estimate the greenhouse gas reductions resulting from those energy savings:
 - The ESIP Complies with this requirement on page 2.
- Identify all design and compliance issues that require the professional services of an architect or engineer and identify who will provide these services:
 - Plan addresses design professional services necessary with the implementation of lighting for ECM 1 on page 4.
 - However, for ECM 2, on page 24 it implies that the boiler submittals will constitute the construction documents. Typically, a boiler replacement of this magnitude should include construction plan drawings. It should be noted that the Preliminary Project Schedule shows that there will be engineering plans and specs developed from May 21 through July 15.

Ameresco response:

In this instance “boiler submittals” would include not only equipment submittals but also the design drawings package.

- Include an assessment of risks involved in the successful implementation of the plan:
 - Plan addresses risks associated with implementation on page 14 and on page 24.
- Identify the eligibility for, and costs and revenues associated with the PJM Independent System Operator for demand response and curtailable service activities:
 - Complies with requirement in Section D.
- Include schedules showing calculations of all costs of implementing the proposed energy conservation measures and the projected energy savings:
 - Complies with requirement shown in Section D of the report starting with page 35.

- Identify maintenance requirements necessary to ensure continued energy savings and describe how they will be fulfilled:
 - Complies with requirement as shown on page 41.
- Identify plans for, a description of, and cost estimates for an energy savings guarantee, as developed by an energy services company:
 - This requirement is complied with on page 39.
- The Plan is to provide for the calculation of energy savings for the purposes of determining that the energy savings resulting from the program will be sufficient to cover the cost of the program’s energy conservation measures, as provided in subsection a. of this section, shall involve determination of the dollar amount saved through implementation of an energy savings improvement program using the guidelines of the International Performance Measurement and Verification Protocol (IPMVP) or other protocols approved by the Board of Public Utilities and standards adopted by the Board of Public Utilities pursuant to this section. The calculation shall include all applicable State and federal rebates and tax credits but shall not include the cost of an energy audit and the cost of verifying energy savings. The calculation shall state which party has made application for rebates and credits and how these applications translate into energy savings.
 - Ameresco complies with this requirement.

7.0 DISCLAIMER

CHA Consulting, Inc. (CHA) was contracted to provide third-party review services for the above-mentioned ESP and has provided our professional opinion in the review of the energy saving calculations, ESP and any other supporting documentation presented by the client and/or ESP development team. This assessment is not a guarantee that the savings and assumptions stated in the ESP are valid or correct. CHA will not be responsible for any failure in achieving the predicted energy and cost savings detailed in the ESP.

CHA’s scope of work focused on completing our due diligence in verifying the energy saving calculations were prepared in accordance with NJBPU protocols. A walkthrough of the building was not performed by CHA. Unless otherwise stated, model, efficiency, and capacity information included in the ESP were assumed to be accurately collected by the ESP development team. In addition, operation and scheduling information were assumed to be representative of field conditions

8.0 CONCLUSIONS & RECOMMENDATIONS

The document titled “Investment Grade Audit” prepared by Ameresco for Wayne Township School District dated March 20, 2020 has been found to meet the

minimum requirements of an Energy Savings Plan under the New Jersey Energy Improvement Law.

CHA has completed a third-party review of the IGA report containing the Energy Savings Plan prepared by ESCO, Ameresco Inc. The third-party review report summarized CHA's preliminary findings on the calculation methods employed by Ameresco, Inc as well as compliance with protocols. This review was prepared in accordance with the requirements set forth in Chapter 4 of the New Jersey Board of Public Utilities (NJBPU) Laws of 2009 "Energy Savings Improvement Program" and Local Finance Notice 2009-11 and 2011-17, including amendments to P.L. 2009, Chapter 4 included in P.L. 2012, Chapter 55.

Based on the review and Ameresco's replies to the questions and comments of concern, CHA determines that the ESP contained in the IGA report satisfies the ESIP program as set forth in Chapter 4 of the New Jersey Board of Public Utilities (NJBPU) Laws of 2009 "Energy Savings Improvement Program" and Local Finance Notice 2009-11 and 2011-17, including amendments to P.L. 2009, Chapter 4 included in P.L. 2012, Chapter 55.

CONTACT:

AMERESCO, INC.
50 FRONT STREET, SUITE 201
NEWBURGH, NY 12550
(845) 561-2260

MATTHEW FURDYNA
ACCOUNT EXECUTIVE
T: (508) 598-3045
E: MFURDYNA@AMERESCO.COM

